

SBV10 / 20 Series Ball Valves

Features

- Compact design with hexagon bar-stock for high integrity.
- Working pressure up to
 - 1000psig (69bar) at 21 °C (70 °F) - SBV10 Series
 - 2000psig (137.9bar) at 21 °C (70 °F) - SBV20 Series
- Temperature range : -42 °C (-44 °F) to 232 °C (450 °F)
- Low torque quarter turn actuation.
- Size range of from 1/4" to 2" tubing and piping.
- Various end connections : Reliable S-LOK, NPT, ISO male & female.
- Butterfly handle or Key lock handle is available as option.
- Locking device handle in on and off position.



Applications

- Water, Oil, Gas
- Petrochemical Plants
- Steel mills
- Heavy Vehicles

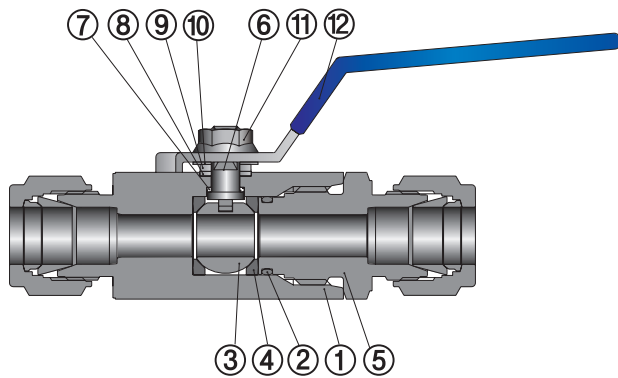
O-ring Seal Materials

Seal Material	Temperature Range
FKM	-23 to 204 °C
HNBR	-42 to 150 °C

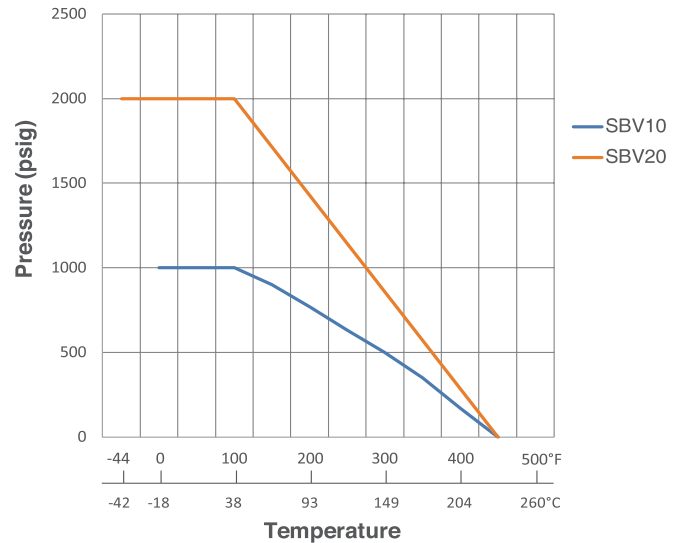
Testing

- Every valve is factory tested with Nitrogen @ 1000psig (69bar) to maximum allowable leak of 0.1 (SSCM).
- The stem packing is tested for no detectable leakage.

Materials of Construction



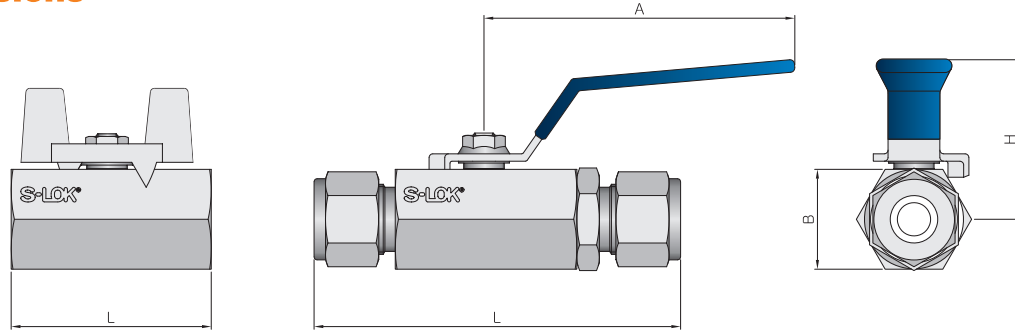
Pressure and Temperature Ratings



No	Component	Material	
		Stainless Steel	Brass
1	Body	SS316 / A479 or A276	B16 or JIS H3250
2	O-ring	FKM / *HNBR	NBR
3	Ball	SS316 / A479 or A276	
4	Seat	Reinforced PTFE / * Modified PTFE	
5	End Connector	SS316 / A479 or A276	B16 or JIS H3250
	Insert		
6	Stem	SS316 / A479 or A276	
7	Lower Packing	Reinforced PTFE	
8	Upper Packing	Reinforced PTFE	
9	Gland	Stainless Steel	
10	Gland Washer	Stainless Steel	
11	Flange Nut	Stainless Steel	
12	Handle	Stainless Steel with PVC Coating	

* HNBR / Modified PTFE is a base option for SBV20 Series.

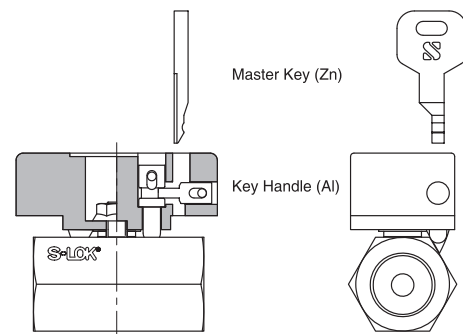
Dimensions



Ordering Number		Orifice (mm)	Cv	End Connections	Dimensions (mm)			
					L	H	A	B
SBVA	S-6M	5.0	1.25	6mm S-LOK	79	31	55	17
	S-4T		1.25	1/4" S-LOK	79			
	F-4N		1.35	1/4" Female NPT	42			
SBVB	S-10M	7.5	2.6	10mm S-LOK	90	40	78	22
	S-6T		2.	3/8" S-LOK	90			
	F-6N		2.6	3/8" Female NPT	45			
SBVC	S-12M	9.0	9.25	12mm S-LOK	98	42	78	27
	S-8T		9.25	1/2" S-LOK	98			
	F-8N		9.25	1/2" Female NPT	54			
SBVD	S-16M	12.5	10.6	16mm S-LOK	108	51	96	32
	S-10T		10.6	5/8" S-LOK	108			
	S-12T		12.65	3/4" S-LOK	107			
	F-12N		12.65	3/4" Female NPT	63			
SBVE	S-16T	16.0	17.35	1" S-LOK	133	55	96	38
	F-16N		17.35	1" Female NPT	78			

Key Operation Handle

- Possible to operate locking device with master key when on-off the handle.
- Just changing the handle with locking device is possible.
- Choice of handle color is possible (Blue, Red, or Green).



Ordering Information

SBVA	F	4N	BF	S6
Valve Series	Connection Type	Connection Size	Handle	Body Material
<ul style="list-style-type: none"> • SBVA~E : SBV10 Series • SBV20A~20E : SBV20 Series 	<ul style="list-style-type: none"> • S : S-LOK • M : Male Thread • F : Female Thread • BW : Butt Weld • SW : Socket Weld 		<ul style="list-style-type: none"> • Nil : Standard Lever Handle • BF : Optional Butterfly Handle • LD : Locking Device • KH : Key Operation Handle <ul style="list-style-type: none"> -Nil : Blue (Standard) -R : Red, -G : Green 	<ul style="list-style-type: none"> • S6 : 316 Stainless Steel • BS : Brass