

SBLV Series Bleed Valves

S-LOK bleed valve is designed to use on instrumental fluidhandling apparatus such as manifolds and gauge root valves in order to vent signal line pressure to atmosphere before disassembly of an instrument or to facilitate in calibration of a control device.

Features

- Pressure rating up to 10,000psi(689bar)@100°C(38°C).
- Back stop screw prevents from the accidental removal of stem.
- Stem is Hard Chrome Plated for maximum service life.
- Size range from 1/8" to 1/2" Tubing and piping system.
- Variety of End connections include S-LOK, NPT & ISO pipe threads Male/ Female



Technical Data

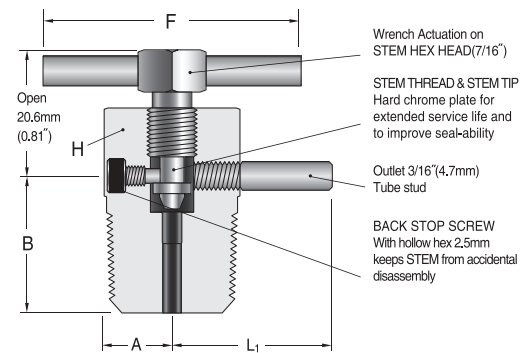
Material	Temperature Rating	Pressure Rating
Stainless Steel 316	-65 to 850°F (-54 to 454°C)	10,000psi(689bar) at 100°F(38°C)
Carbon Steel	-20 to 450°F (-29 to 232°C)	
Alloy 400	-65 to 500°F (-54 to 260°C)	

CNG / NGV Certifications

Valve Series	Certificates	ECE R110	ANSI NGV 3.1 - 2012	ISO 15500
SBLV Series	Certificate No.	110R-126838	126838AUT13	126838MECH102
	Classification	Class 0	Manual valve	Manual valve
	Temperature	-40 to 120°C (-40 to 248°F)	-40 to 120°C (-40 to 248°F)	-40 to 120°C (-40 to 248°F)
	Working Pressure	260 bar @ 120°C	248 bar @ 120°C	260 bar @ 120°C

Materials of construction

Description	Body Materials / ASTM and JIS Spec.		
	Stainless Steel 316	Carbon Steel	Alloy 400
Body	SS316 A276 or A479	S45C	Monel 400 / B164
Stem		SS316 A276 or A479	
Back Stop Screw			
Vent Tube	SS316 A213 or A269	Monel 400 / B165	



Ordering Information and Dimensions

Basic Ordering Number	End Connection	Orifice mm. (Cv)	Dimensions inch (mm)				
			A	B	L ₁	H	F
SBLV-M-2N	1/8" Male NPT	3.2 (0.25)	0.31 (7.9)	0.75 (19.1)	0.91 (23.0)	5/8 (15.87)	2.0 (50.8)
SBLV-M-4N	1/4" Male NPT		0.44 (11.1)	0.88 (22.5)	1.03 (26.2)	7/8 (22.2)	
SBLV-M-6N	3/8" Male NPT						
SBLV-M-8N	1/2" Male NPT						

