

# SPUV Series Purge Valves

S-LOK Purge valves are mainly for bleed, vent or drain purpose. The knurled cap is not separable from the valve body for safety purpose. 1/4 turns of wrench pull-up from finger tight gives leak-free closure on first make-up. Proper tightening with a wrench secures for the closer rate to the desired pressure rate with sufficient make-ups.

## Features

- Pressure rating up to 4,000psig(275bar) for 316 stainless steel and up to 3,000 psig(206bar) for Carbon Steel and Brass at 100°F (38°C)
- Temperature rating from -65°F to 600°F (-54°C to 315°C) with Stainless Steel, from -65°F to 400°F (-54°C to 204°C) with carbon steel, from -20°F to 350°F (-29°C to 177°C) with brass.
- Vent hole bleeds excessive liquid or gas from the system lines.
- Knurled cap is crimped to valve body to prevent an accidental removal of the body.
- Size range from 1/8" to 1/2" tubing and piping system.
- Variety of end connections including S-LOK tube fittings, male/female NPT and ISO, SAE threads.



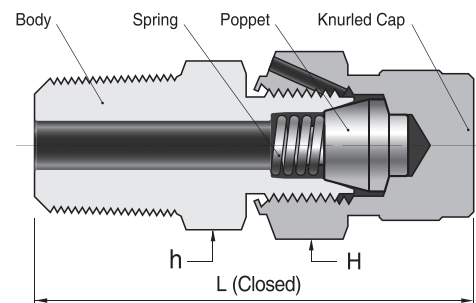
## CNG / NGV Certifications

Valve Series	Certificates	ECE R110	ANSI NGV 3.1 - 2012	ISO 15500
SPUV Series	Certificate No.	110R-126838	126838AUT13	126838MECH102
	Classification	Class 0	Manual valve	Manual valve
	Temperature	-40 to 120°C (-40 to 248°F)	-40 to 120°C (-40 to 248°F)	-40 to 120°C (-40 to 248°F)
	Working Pressure	260 bar @ 120°C	248 bar @ 120°C	260 bar @ 120°C

## Ordering Information and Dimensions

Basic Ordering Number	Connection Type	Dimensions inch (mm)		
		L	h	H
F -2N	1/8 Female NPT	1.56 (35.3)	9/16 (14.28)	5/8 (15.87)
F -4N	1/4 Female NPT	1.75 (39.8)	3/4 (19.05)	
F -6N	3/8 Female NPT	1.81 (41.6)	7/8 (22.22)	
F -8N	1/2 Female NPT	1.98 (46.5)	1-1/16 (26.98)	
M -2N	1/8 Male NPT	1.62 (36.8)	1/2 (12.7)	
M -4N	1/4 Male NPT	1.81 (41.9)	9/16 (14.28)	
M -6N	3/8 Male NPT	1.84 (42.4)	11/16 (17.46)	
M -8N	1/2 Male NPT	2.09 (48.7)	7/8 (22.22)	
M -4U	1/4in, 7/16-20	1.69 (38.0)	9/16 (14.28)	
M -8U	1/2in, 3/4-16	1.81 (41.6)	7/8 (22.22)	
S -2T	1/8 S-LOK	1.84 (42.6)	1/2 (12.7)	
S -4T	1/4 S-LOK	1.94 (44.9)	1/2 (12.7)	
S -6T	3/8 S-LOK	2.03 (47.2)	5/8 (15.87)	
S -8T	1/2 S-LOK	2.19 (51.0)	13/16 (20.64)	
S -6M	6mm S-LOK	1.94 (45.0)	(14.0)	
S -8M	8mm S-LOK	2.0 (46.3)	(15.0)	
T -4T	1/4 Tube Stub	1.87 (43.2)	1/2 (12.7)	
T -6T	3/8 Tube Stub	1.94 (44.6)	1/2 (12.7)	
T -8T	1/2 Tube Stub	2.15 (50.3)	9/16 (14.28)	

## Materials of construction



Description	Body Materials Grade / ASTM Spec.		
	Stainless Steel 316	Carbon Steel	Brass
Body	SS316	Carbon Steel	Brass
Knurled Cap	A276 or A479	Carbon Steel	Brass
Poppet	SS316 / A276 or A479		
Spring	SS302 / A313		

## How to Order

Use S6 for 316 stainless steel, CS for carbon steel, or BS for brass as a suffix to the basic part number. (※ Example : SPUV-S-2T-S6)

## Option

**PTFE Poppet** : PTFE poppet provides leak tight shut-off with finger Pressure rating up to 200 psig (13.7bar) at 100°F (37°C) Temperature rating up to 300°F (176°C) To order, add designator-P as a suffix to the basic part number. **Example** : SPUV-S-2N-P-S6

**Caution** : When installing a S-LOK purge valve, the vent hole should be positioned not to influence the system fluid on operators. As the vent hole turns with the cap, discharging the valve is executed by turning the cap and be sure that purge valves should be always opened slowly in order to protect operators from exposure to hazardous system fluids.