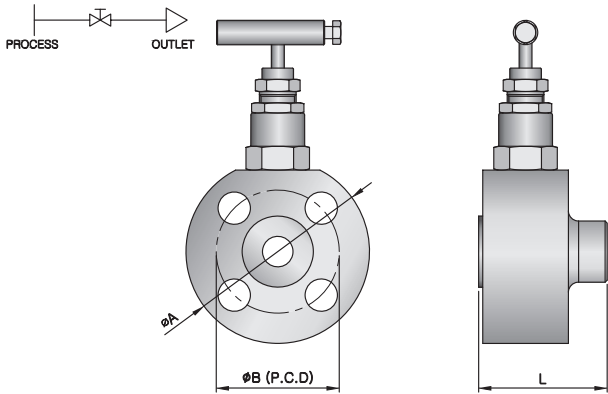
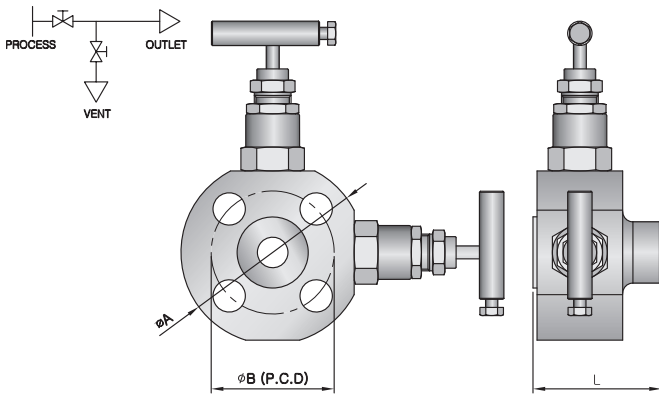


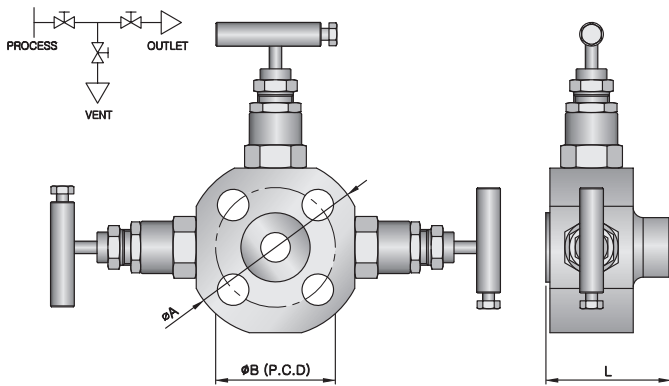
SMNF Series Mono Flanged Valves



SMNF1P-A



SMNF2P-A

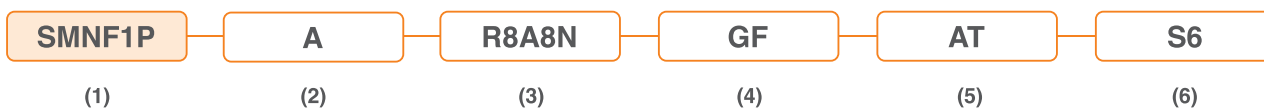


SMNF3P-A

Dimensions

Size (Inch)	Pressure Rating (Class)	Dimension (mm)		
		L (RF)	ϕA	ϕB
1/2	150	63	90	60.3
	300	63	95	66.7
	600	68	95	66.7
	900/1500	68	120	82.6
	2500	68	135	88.9
3/4	150	63	100	69.9
	300	63	115	82.6
	600	68	115	82.6
	900/1500	68	130	88.9
	2500	72	140	95.2
1	150	63	110	79.4
	300	63	125	88.9
	600	68	125	88.9
	900/1500	72	150	101.6
	2500	72	160	108.0
1-1/2	150	63	125	98.4
	300	68	155	114.3
	600	72	155	114.3
	900/1500	72	180	123.8
	2500	78	205	146.0
2	150	68	150	120.7
	300	68	165	127.0
	600	72	165	127.0
	900/1500	72	215	165.1
	2500	78	235	171.4

Ordering Information



(1) Valve Model & Body Type

SMNF: Mono Flange Valves

1P : Block Valve
2P : Single Block & Bleed Valves
3P : Double Block & Bleed Valves

(2) Valve Type (Primary – Secondary – Vent)

Valve type		Primary Valve	Secondary Valve	Bleed Valve
1P	A	Bolted Needle	-	-
	B	OS&Y Needle	-	-
2P	A	Bolted Needle	-	Bolted Needle
	B	OS&Y Needle	-	Bolted Needle
3P	A	Bolted Needle	Bolted Needle	Bolted Needle
	B	OS&Y Needle	Bolted Needle	Bolted Needle
	C	OS&Y Needle	OS&Y Needle	Bolted Needle

(3) Connection Detail (Inlet – Pressure Class – Outlet)

R- : Raised Face F- : Flat Face J- : Ring Type Joint	-R : PT -N : NPT -G : PF	8 : 1/2" (DN-15) 12 : 3/4" (DN-20) 16 : 1" (DN-25) 20 : 1-1/4" (DN-32) 24 : 1-1/2" (DN-40) 32 : 2" (DN-50)	A : CLASS 150 B : CLASS 300 C : CLASS 600 D : CLASS 900 E : CLASS 1500 F : CLASS 2500
---	---	---	--

(4) Packing Material

TE : PTFE
GF : GRAPHITE

(5) Option

FS : Fire Safety LD : Locking Device AT : Anti-Tamper Key WP : Vent Plug	FEA : Fugitive Class-A FEB : Fugitive Class-B V4N : Vent 1/4" NPT
---	--

(6) Body Material

S6 : SS316/316L S6L : SS316L S4 : SS304 D : UNS S31803 SD : UNS S32750	S630 : SS630 A400 : Monel 400 A625 : Inconel 625 A825 : Inconel 825 AB : AL-Bronze	LF2 : A350 LF2 105 : A105 15N : A105N
---	---	--