

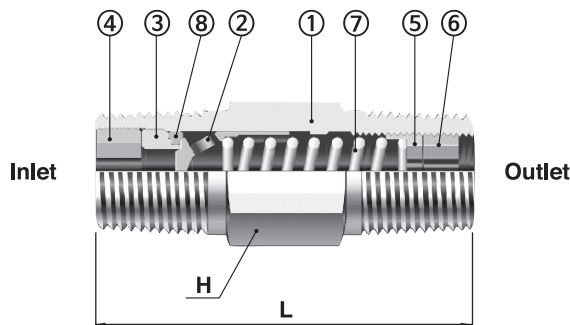
SCA30 Series Adjustable One Piece Check Valves

Features

- Pressure rating up to 3,000psig (206bar) @700°F(21°C).
- Cracking pressure adjustable from 3 to 600psi (0.2 to 41.4 bar)
- Temperature rating up to 375°F(191°C) with Standard FKM O-ring.
- Choice of materials : Standard S316 and Brass.
- Compact one-piece body.
- Heat code traceability.
- Every valve is 100% factory tested for cracking and reseal.



Materials of Construction



Item	Description	Materials	
		SS316	Brass
1	Body	SS316 / A276 or A479	Brass
2	Poppet		
3	Insert		
4	Insert Lock Screw		
5	Adjusting Screw		
6	Locking Screw		
7	Spring	SS304	
8	O-ring	FKM	NBR

* Silicone-based Lubricant for poppet.

Ordering Information and Dimensions

Basic Ordering Number		Cv	End Connections			Dimensions mm(inch)	
			Size	Inlet	Outlet	L	H
SCA1	F-4N	0.35	1/4"	Female NPT		75.7(2.98)	19.05(3/4)
	M-4N		Male NPT		41.1(1.62)	14.28(9/16)	
	M-4R		Male BSPT		41.1(1.62)	14.28(9/16)	
SCA2	M-8N	1.20	1/2"	Male NPT		65.0(2.56)	22.22(7/8)
	M-8R		Male BSPT		65.0(2.56)	22.22(7/8)	

To order, add a cracking pressure range designator to the basic ordering number and then specify valve material designator.

Example : SCA1-M-4N-3-S6

Spring Cracking Pressure Range Designator

Designator	Cracking Pressure	
	psi	bar
3	3 to 50	0.21 to 3.5
50	50 to 150	3.5 to 10.4
150	150 to 350	10.4 to 24.2
350	350 to 600	24.2 to 41.4

Pressure-Temperature Ratings

Ratings based on Viton O-ring in SS316 stainless steel valves and NBR O-ring in brass valves.

Series	SCA/SCP	
	Working Pressure, psig (bar)	
	SS316	Brass
-10(-23) to 100(37)	3000(206)	3000(206)
	2575(177)	2600(179)
200(93)	2450(168)	2405(165)
250(121)	2325(160)	-
300(148)	2185(150)	-
375(190)		