

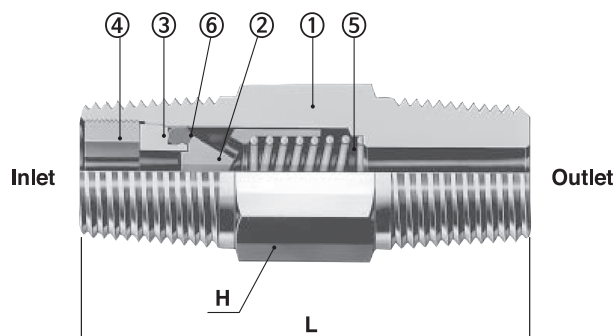
# SCP30 Series Compact One Piece Check Valves

## Features

- Pressure rating up to 3,000psig (206bar)@70°F(21°C).
- Temperature rating up to 375°F(191°C) with Standard FKM O-ring.
- Compact one-piece body.
- Fully contained O-ring seal blow-out proof design.
- Choice of materials : Standard S316 and Brass.
- Cracking pressures include : 1/3, 1, 3, 10, 25, 50psi.
- Heat code traceability.
- Every valve is 100% factory tested for cracking and reseal.



## Materials of Construction



Item	Description	Materials	
		SS316	Brass
1	Body	SS316 / A276 or A479	Brass
2	Poppet		
3	Insert		
4	Locking Screw	SS304	
5	Spring	FKM	NBR
6	O-ring		

\* Silicone-based Lubricant for poppet.

## Ordering Information and Dimensions

Basic Ordering Number		Cv	End Connections			Dimensions mm(inch)	
			Size	Inlet	Outlet	L	H
SCP1	M-4N	0.35	1/4"	Male NPT		41.1(1.62)	14.28(9/16)
	M-4R		Male ISO				
	F-4N		Female NPT		61.2(2.41)	19.05(3/4)	
	F-4R		Female ISO		64.5(2.54)		
	MF-4N		Male NPT	Female NPT	44.4(1.75)		
	FM-4N		Female NPT	Male NPT	58.2(2.29)		
SCP2	M-8N	1.20	1/2"	Male NPT		57.9(2.28)	22.22(7/8)
	F-8N		Female NPT		94.2(3.71)	26.98(1-1/16)	
	MF-8N		Male NPT	Female NPT	71.9(2.83)		

All dimensions shown are for reference only and are subject to change.

## Spring Cracking, Reseal and Back Pressure at @70°F(21°C)

Spring Nominal Cracking Pressure		Applied Working Pressures-psig(bar)				Reseal Pressure	
		Min. Pressure		Max. Pressure			
psig	bar	psig	bar	psig	bar	psig	bar
1/3	0.02	0	0	3	0.21	up to 6	0.41
						Back pressure	
1	0.07	0	0	4	0.28	up to 5	0.34
						Back pressure	
10	0.69	7	0.48	15	1.03	3	0.21
25	1.72	20	1.38	30	2.07	17	1.17