

# STAUFF Clamps

Fastening systems for pipes, tubes, hoses, cables and other industrial components

---

Product Catalogue

Version  
10/2025





**Construction Series**

KS / DKS

168

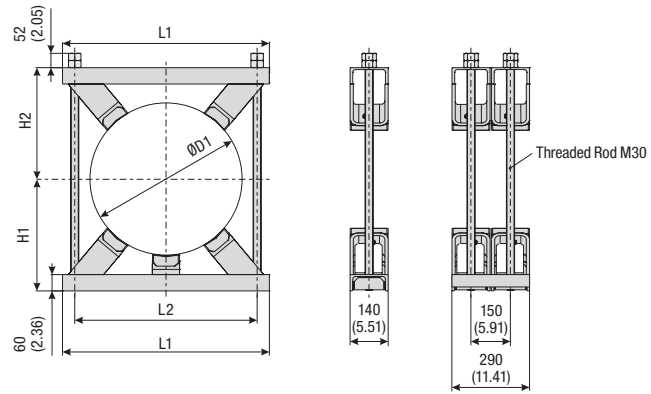
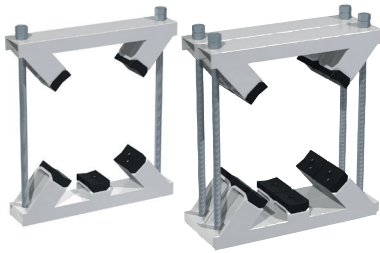


**Construction Series  
(for Anchor Bolt Fastening)**

KSV / DKSV

169

**Construction Series**  
Types KS (Single Version) / DKS (Double Version)



**Ordering Codes**

**Construction Series \*KS-\*220-\*PA-\*W8**

\* Version           Single version                   **KS**  
                          Double version                       **DKS**

\* Exact outside diameter ØD1 (mm)                   **220**

\* Material of Plastic Pads (see below)                   **PA**

\* Material Code    Steel, prime coated (grey, RAL 7035)   **W8**

Please note: All items are supplied non-assembled.

**Standard Materials for Plastic Pads**



See pages 178 / 179 for material properties and technical information.

Outside Diameter ØD1 Pipe / Tube Diameter Range		Standard Diameters		Dimensions (mm/in)				No. of Plastic Pads
(mm)	(in)	(mm)	(in)	L1	L2	H1	H2	
220 ... 275	8.66 ... 10.85	220	8.66	420	330	220	220	4
		247	9.72					
		267	10.51					
		273	10.75					
276 ... 325	10.87 ... 12.80	280	11.02	460	370	240	240	4
		300	11.81					
		318	12.52					
		323,9	12.75					
326 ... 370	12.83 ... 14.57	355,6	14.00	510	420	260	260	4
		368	14.49					
371 ... 425	14.61 ... 16.73	390	15.35	570	480	290	290	4
		406,4	16.00					
426 ... 485	16.77 ... 19.09	457,2	18.00	620	530	305	305	4
		470	18.50					
486 ... 550	19.13 ... 21.65	490	19.29	680	590	370	370	4
		508	20.00					
		521	20.51					
		546	21.50					
551 ... 630	21.69 ... 24.80	558,8	22.00	760	670	410	410	5
		609,6	24.00					
631 ... 715	24.84 ... 28.15	711	28.00	845	755	452	452	5
716 ... 800	28.19 ... 31.50	762	30.00	940	850	495	495	5
		813	32.00	990	900	500	500	5
		1000	39.37	1200	1100	591,5	593	5
		1016	40.00	1200	1100	602	602	5

Alternative outside diameters, materials and surface finishings are available upon request. Contact STAUFF for further information.

Dimensional drawings: All dimensions in mm (in).

