

STAUFF Valves

Ball valves and flow control valves for shutting off and throttling fluid media

Product Catalogue



GERMANY 08/16



BBV2G080000M

PN500/7250 PSI-12A



**Gauge Isolator Valve
(Single Station)**
SWS-S1

104



**Gauge Isolator Valve
(Multi Station)**
SWS-M

104



**Gauge Isolator Needle Valve
(Single Station)**
SWS-A1

105

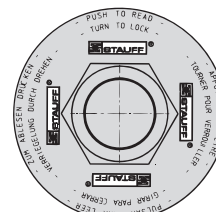
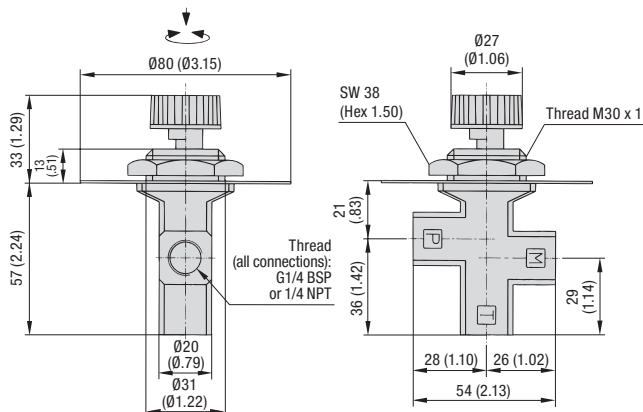
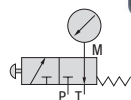


**Gauge Isolator Needle Valve
(Single Station)**
SWS-A2

105

D

Gauge Isolator Valve - Type SWS-S1 (Single Station)



Characteristics

Effective protection of pressure gauges against overload caused by pressure peaks

Features

- Suitable for panel installation
- Max. panel thickness of 5 mm / .20 in
- Fixed with hexagonal nut
- Push button to read and turn to lock
- Multilingual instructions printed on face plate

Media Compatibility

- Suitable for use with mineral and petroleum based hydraulic fluids (HL and HLP)

Materials

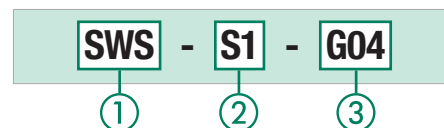
- Body made of Cast Iron
- Spindle made of Steel
- Push / turn button made of Polyamide (PA)
- Face plate made of Aluminium
- O-rings made of NBR (Buna-N®)

Technical Data

- Maximum working pressure: 400 bar / 5800 PSI
- Operating temperature range: -30 °C ... +115 °C / -22 °F ... +239 °F

Please contact STAUFF before using with other media

Order Codes



1 Type

Gauge Isolator Valve **SWS**

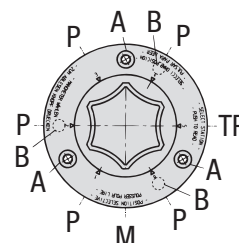
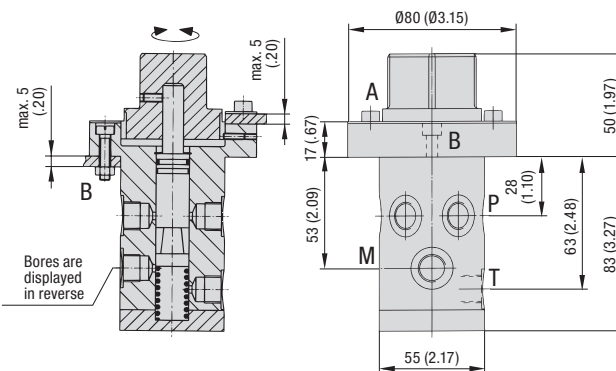
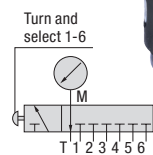
2 Style

Single station **S1**

3 Connection Thread

Female G1/4 BSP (for all connections) **G04**
 Female 1/4 NPT (for all connections) **N04**

Gauge Isolator Valve - Type SWS-M (Multi Station)



Mounting Bores ($\varnothing 6$ mm / .24 in)
A 3 bores, equally spaced (120°), BCD $\varnothing 65$ mm / 2.56 in
B 3 bores, equally spaced (120°), BCD $\varnothing 65$ mm / 2.56 in

Connections (G1/4 BSP or 7/16-20 UNF)
P 6 bores, equally spaced (60°)
M 1 bore
T 1 bore

Characteristics

Pressure measurement on six positions in the hydraulic circuit with only one pressure gauge

Features

- Suitable for bulkhead installation
- Max. panel thickness of 5 mm / .20 in
- Fixed with connection flange and screws: 3 hexagon head bolts M5 x 10 (DIN 933) for mounting the printed panel and 3 socket cap screws M5 x 25 (DIN 912) with washers (DIN 127) and nut (DIN 934) for panel installation included in delivery
- Turn button to select position of measurement
- Multilingual instructions printed on panel

Media Compatibility

- Suitable for use with mineral and petroleum based hydraulic fluids (HL and HLP)

Please contact STAUFF before using with other media.

Materials

- Body made of Cast Iron
- Spindle made of Steel
- Push / turn button made of Polyamide (PA)
- Face plate and end cover made of Aluminium
- O-rings made of NBR (Buna-N®)

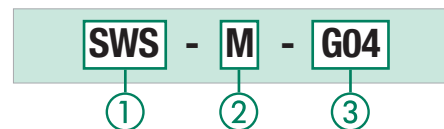
Technical Data

- Maximum working pressure: 400 bar / 5800 PSI
- Operating temperature range: -30 °C ... +115 °C / -22 °F ... +239 °F

Note:

All thread protection plugs must be removed before use. Unused connection threads P must be sealed tightly with a suitable screw plug (e.g. DIN 908). Screw plugs are not included in the scope of delivery.

Order Codes



1 Type

Gauge Isolator Valve **SWS**

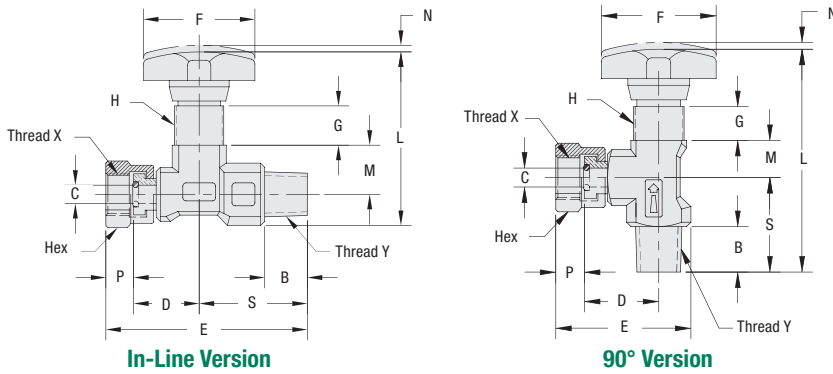
2 Style

Multi station **M**

3 Connection Thread

Female G1/4 BSP for all connections **G04**
 Female 7/16-20 UNF (1/4" SAE) for all connections **U04**

Gauge Isolator Needle Valve - Types SWS-A1/A2 (Single Station)



D

Dimensions

Type	Thread X (Female)	Thread Y (Male)	Dimensions (mm/in)													Weight (kg/lbs)
			B	C	D	E	F	G	H	L	M	N	P	S	Hex	
SWS-A1	G1/4 BSP 1/4 NPT	1/4 BSPT 1/4 NPT	13	5,6	20	61,5	34	12	M15x1	53	15	2	8,5	33	18	0,13
			.51	.22	.78	2.42	1.34	.47		2.09	.59	.08	.33	1.30	.71	.22
SWS-A2	G1/4 BSP 1/4 NPT	1/4 BSPT 1/4 NPT	13,5	5,6	22	40	34	10	M15x1	66	11	2	8,5	28	18	0,11
			.53	.22	.87	1.57	1.34	.39		2.60	.43	.08	.33	1.10	.71	.44

Characteristics

Effective protection of pressure gauges against overload caused by pressure peaks

Features

- Designed for in-line assembly (type A1) or 90° assembly (type A2) with female BSP / male BSPT or female NPT / male NPT threaded connections
- Panel mounting nuts available on request
- Rotating swivel nut allows for accurate orientation of the pressure gauge

Materials

- Body made of Steel, zinc-plated
- Spindle made of Steel
- Hand-wheel made of Polyamide (PA)
- O-rings made of NBR (Buna-N®)
- Anti-extrusion ring made of PTFE

Contact STAUFF for alternative materials.

Technical Data

- Maximum working pressure: 400 bar / 5800 PSI (for all sizes)
- Operating temperature range: -20 °C ... +100 °C / -4 °F ... +212 °F

Order Codes



1 Type

Gauge Isolator Valve **SWS**

2 Style

Single station, in-line version **A1**
Single station, 90° version **A2**

3 Connection Threads

Female G1/4 BSP and Male 1/4 BSPT **G04/B04**
Female 1/4 NPT and Male 1/4 NPT **N04F/N04M**

4 Panel Mounting Kit

Without panel mounting kit (standard option) **—**
With panel mounting kit **PM**

