

STGV Series Toggle Valves

Features

- Working Pressure up to 300 psi (20.6 bar)
- Temperatures up to 200°F (93°C)
- Compact, rugged design
- Panel mountable
- Soft seat shutoff
- Quick opening and closing
- O-ring stem seals do not need adjustment
- Stainless steel and brass construction
- Straight and angle patterns available
- Every valve is 100% factory tested

Testing

- Every valve is factory tested for bubble-tight leakage at both seat and stem packing with nitrogen at 300psi (13.7bar).

Operation

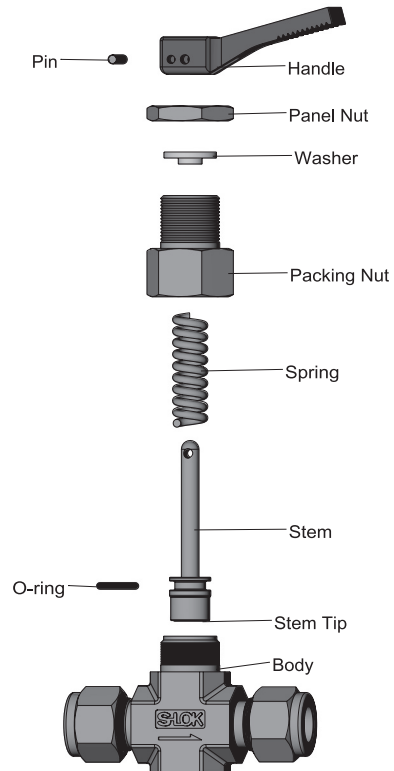
- Lift the handle to fully open the valve.
- The handle stops firmly in the open position.
- Lower the handle, shutoff the valve by spring return.
- The soft seat provides positive seal.

Pressure – Temperature Ratings

Valve Series	Orifice mm (inch)	Working Pressure psi (bar)	Temperature °F (°C)
STGV1	2.0 (0.080)	300 (20.6)	-20 to 200 (-28 to 93)
	3.2 (0.125)		
STGV2	6.4 (0.250)	200 (13.7)	

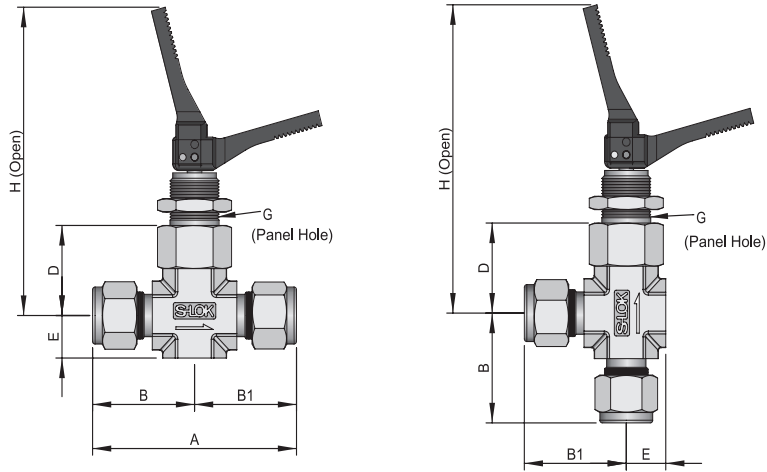


Materials of Construction



Component	Material	
	SS 316	Brass
Body	SS 316 / A182	Brass / B283
Packing Nut	SS 316 / A276	Brass / B16
Stem	SS 316 / A276	
Spring	SS 304	
Stem Tip	PTFE	
Washer	Nylon	
Handle	Nylon	
Panel Nut	SS 316 / A276	Brass / B16
O-ring	FKM	
Pin	Stainless Steel	

Table of Dimension



Ordering Number	End Connections		Cv	Orifice mm (inch)	Dimensions, mm (inch)							
	Inlet / Outlet	Size			A	B	B1	D	E	G	H	
STGV1	S-2T	S-LOK	1/8"	0.11	2.0 (0.08)	49.8 (1.96)	24.9 (0.98)		23.4 (0.92)	7.9 (0.31)	13.5 (0.53)	73 (2.87)
	S-4T	S-LOK	1/4"	0.2	3.2 (0.125)	57.4 (2.26)	28.7 (1.13)		23.4 (0.92)	7.9 (0.31)	13.5 (0.53)	73 (2.87)
	S-3M	S-LOK	3mm	0.11	2.0 (0.08)	49.8 (1.96)	24.8 (0.98)		23.4 (0.92)	7.9 (0.31)	13.5 (0.53)	73 (2.87)
	S-6M	S-LOK	6mm	0.2	3.2 (0.125)	57.4 (2.26)	28.7 (1.13)		23.4 (0.92)	7.9 (0.31)	13.5 (0.53)	73 (2.87)
	S-8M	S-LOK	8mm	0.2	3.2 (0.125)	56.4 (2.22)	28.2 (1.11)		23.4 (0.92)	7.9 (0.31)	13.5 (0.53)	73 (2.87)
	F-2N	Female NPT	1/8"	0.2	3.2 (0.125)	41.4 (1.63)	20.7 (0.81)		23.4 (0.92)	7.9 (0.31)	13.5 (0.53)	73 (2.87)
	M-2N	Male NPT	1/8"	0.2	3.2 (0.125)	38.0 (1.5)	19.0 (0.75)		23.4 (0.92)	7.9 (0.31)	13.5 (0.53)	73 (2.87)
	M-4N	Male NPT	1/4"	0.2	3.2 (0.125)	46.0 (1.81)	23.0 (0.91)		23.4 (0.92)	7.9 (0.31)	13.5 (0.53)	73 (2.87)
	MS-2N2T	Male NPT / S-LOK	1/8"	0.11	2.0 (0.08)	43.9 (1.73)	19.0 (0.75)	24.9 (0.98)	23.4 (0.92)	7.9 (0.31)	13.5 (0.53)	73 (2.87)
	MS-4N4T	Male NPT / S-LOK	1/4"	0.2	3.2 (0.125)	51.7 (2.04)	23.0 (0.91)	28.7 (1.13)	23.4 (0.92)	7.9 (0.31)	13.5 (0.53)	73 (2.87)
	MF-2N	Male / Female NPT	1/8"	0.2	3.2 (0.125)	41.4 (1.63)	20.7 (0.81)		23.4 (0.92)	7.9 (0.31)	13.5 (0.53)	73 (2.87)
STGV2	S-6T	S-LOK	3/8"	0.7	6.4 (0.25)	65.5 (2.58)	32.8 (1.29)		26.9 (1.06)	12.7 (0.50)	16.8 (0.66)	88.6 (3.48)
	S-8T	S-LOK	1/2"	0.7	6.4 (0.25)	71.1 (2.8)	35.6 (1.4)		26.9 (1.06)	12.7 (0.50)	16.8 (0.66)	88.6 (3.48)
	S-10M	S-LOK	10mm	0.7	6.4 (0.25)	69.1 (2.72)	34.5 (1.36)		26.9 (1.06)	12.7 (0.50)	16.8 (0.66)	88.6 (3.48)
	S-12M	S-LOK	12mm	0.7	6.4 (0.25)	74.4 (2.93)	37.2 (1.46)		26.9 (1.06)	12.7 (0.50)	16.8 (0.66)	88.6 (3.48)
	F-4N	Female NPT	1/4"	0.7	6.4 (0.25)	53.8 (2.12)	26.9 (1.06)		26.9 (1.06)	12.7 (0.50)	16.8 (0.66)	88.6 (3.48)
	M-6N	Male NPT	3/8"	0.7	6.4 (0.25)	57.2 (2.25)	28.6 (1.12)		26.9 (1.06)	12.7 (0.50)	16.8 (0.66)	88.6 (3.48)

Dimensions are for reference only and are subject to change. Dimensions shown with S-LOK nuts finger-tight position.

Ordering Information



1. Valve Series

- STGV1
- STGV2

2. End Connection

- **S** : S-LOK
- **M** : Male Pipe Thread
- **F** : Female Pipe Thread
- **MS** : S-LOK x Male Pipe Thread
- **MF** : Male x Female Pipe Thread

3. Size Designator

- **2T** : 1/8"
- **4T** : 1/4"
- **6T** : 3/8"
- **8T** : 1/2"
- **3M** : 3mm
- **6M** : 6mm
- **8M** : 8mm
- **10M** : 10mm
- **12M** : 12mm
- **2N** : 1/8" NPT
- **4N** : 1/4" NPT
- **6N** : 3/8" NPT

4. Flow Pattern

- **Nil** : Straight
- **A** : Angle

5. O-ring Material

- **Nil** : FKM
- **NBR** : NBR
- **EP** : EPDM

6. Body Material

- **S6** : 316 Stainless Steel
- **BS** : Brass