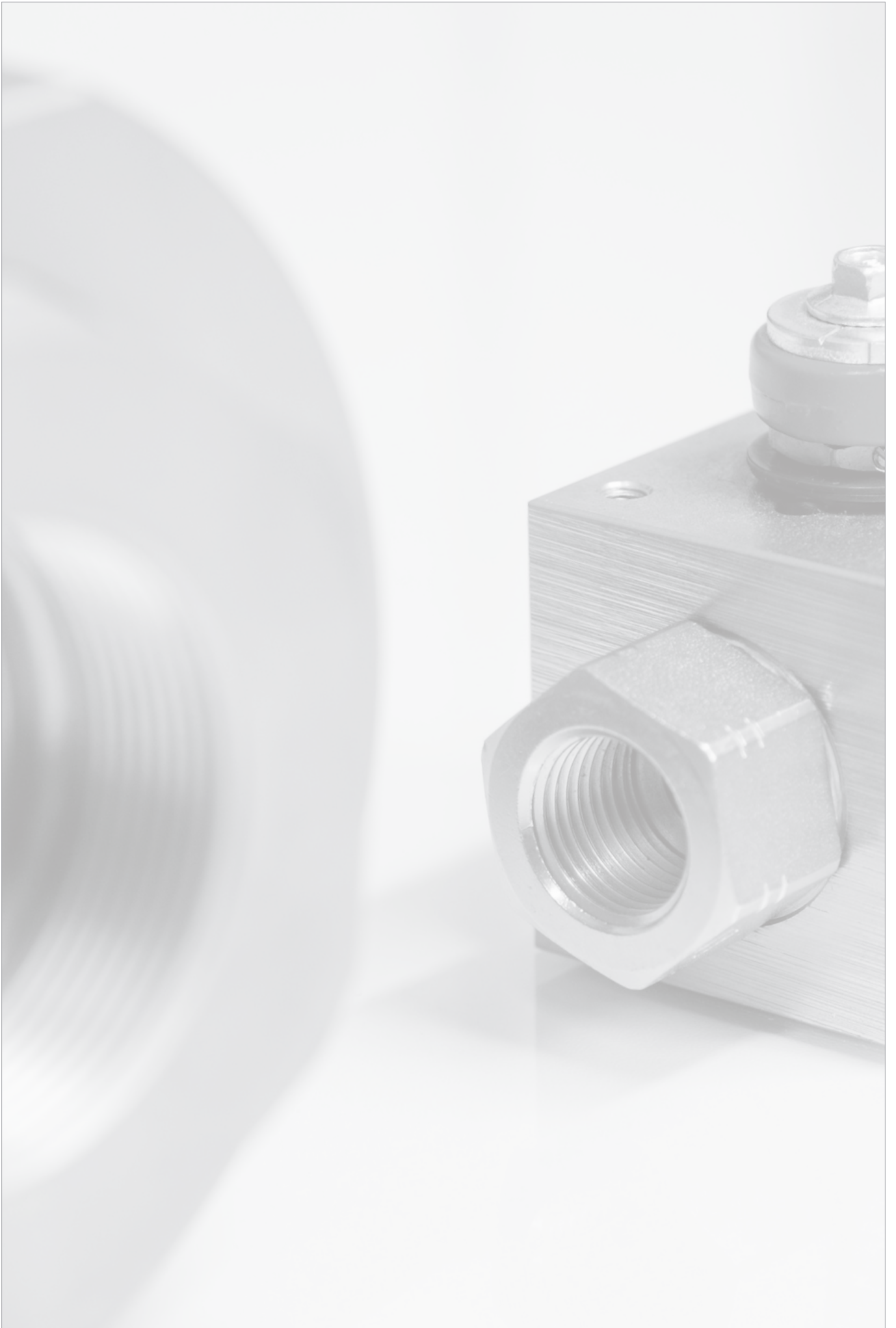


# STAUFF Valves

Ball valves and flow control valves for shutting off and throttling fluid media

---

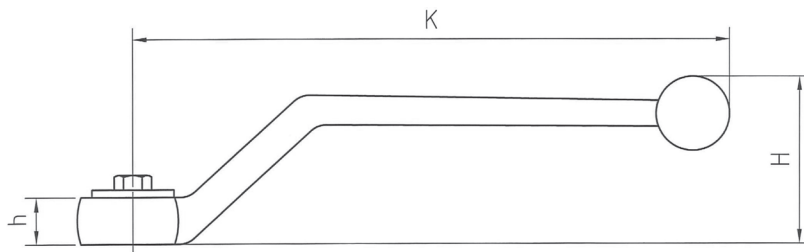
Product Catalogue



<b>Levers</b>	114
<b>Locking Devices</b>	115-117
LD	
<b>Double-Acting Pneumatic Actuators</b>	118
AD	
<b>Single-Acting Pneumatic Actuators</b>	118
AS	
<b>Electric Actuators</b>	118
AE	
<b>Limit / Proximity Switches</b>	118
<b>Ball Valves with Detents</b>	119
DT	
<b>Ball Valves with Assembly Holes</b>	119
SM	
<b>Ball Valves with Assembly Threads</b>	119
PM	
<b>Standard / Alternative Porting Patterns</b>	120-121

F

## Lever



### Zinc ▪ Off-Set Design

SW	Dimensions (mm/in)			Weight (kg/lbs)	Order Codes
	K	h	H		
7	80	6,5	30	0,03	Lever-BV-SW07-ZNO
	3.15	.26	1.18	.07	
9	115	8,7	45	0,09	Lever-BV-SW09-ZNO
	4.52	.34	1.77	.20	

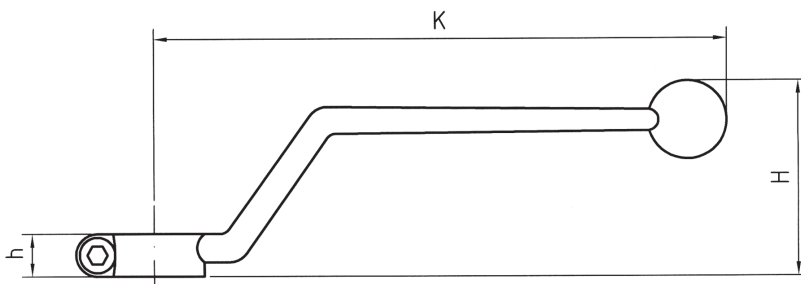
### Carbon Steel ▪ Off-Set Design

SW	Dimensions (mm/in)			Weight (kg/lbs)	Order Codes
	K	h	H		
7	80	6,5	30	0,05	Lever-BV-SW07-CSO
	3.15	.26	1.18	.11	
9	115	9	47	0,09	Lever-BV-SW09-CSO
	4.52	.35	1.85	.20	
14	170	12	64	0,23	Lever-BV-SW14-CSO
	6.73	.47	2.52	.51	
17	306	17	80	0,66	Lever-BV-SW17-CSO
	12.04	.69	3.15	1.45	

### Stainless Steel V4A ▪ Off-Set Design

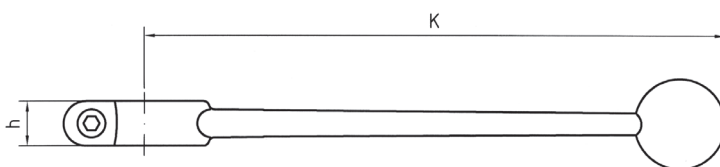
SW	Dimensions (mm/in)			Weight (kg/lbs)	Order Codes
	K	h	H		
7	60	6,5	22	0,04	Lever-BV-SW07-W50
	2.36	.26	.87	.09	
9	115	9	47	0,10	Lever-BV-SW09-W50
	4.52	.35	1.85	.22	
14	173	12	64	0,23	Lever-BV-SW14-W50
	6.80	.47	2.52	.51	
17	227,5	15	90	0,66	SW17-W50
	8.96	.59	3.54	1.45	

F



### Aluminium ▪ Off-Set Design

SW	Dimensions (mm/in)			Weight (kg/lbs)	Order Codes
	K	h	H		
12	160	12	55	0,07	Lever-BV-SW12-ALO
	6.30	.47	2.17	.16	



### Zinc ▪ Straight Design

SW	Dimensions (mm/in)			Weight (kg/lbs)	Order Codes
	K	h	H		
9	155	10	0,09	Lever-BV-SW09-ZNS	
	6.10	.29	.20		
14	200	14	0,22	Lever-BV-SW14-ZNS	
	7.87	.55	.48		

### Aluminium ▪ Straight Design

SW	Dimensions (mm/in)			Weight (kg/lbs)	Order Codes
	K	h	H		
9	150	11	0,06	Lever-BV-SW09-ALS	
	5.91	.43	.13		
14	200	12	0,11	Lever-BV-SW14-ALS	
	7.87	.47	.24		
17	320	16	0,27	Lever-BV-SW17-ALS	
	12.60	.63	.59		

Please note: Alternative lever designs and materials deviating from the delivery standard can be ordered by adding -ZNO, -CSO, -W50, -ALO, -ZNS or -ALS at the end of the ordering code of the complete ball valve (e.g. FBV-2-G20-0001-M-W50).

## Locking Device ■ Type LD1

## Dimensions / Order Codes

Nominal Size DN	SW	Dimensions (mm/in)		Order Codes	
		B	L1	90° Operation	180° Operation
4-13	9	9	25	LD1-SW09	LD1S-SW09
		.35	.98		
16	12	12	40	LD1-SW12	LD1S-SW12
		.47	1.57		
20-25	14	14	40	LD1-SW14	LD1S-SW14
		.55	1.57		
32-50	17	17	50	LD1-SW17	LD1S-SW17
		.67	1.97		

## Characteristics

Locking kit consisting of shackle, sliding sleeve, link with screw and Steel lever.

## Features

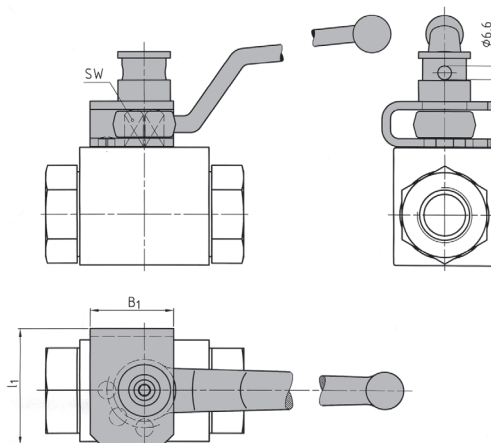
- Universal field-installed locking device
- High security: Cannot be dismantled when locked

## Suitability

Type	Description
BBV	Block Body Valve with Threaded Connections (SW 9-14)
FBV	Forged Body Valve with Threaded Connections (SW 17)
HBV	High-Pressure Block Body Valve with Threaded Connections (SW 9-14)
BBV-2-F	Block Body Valve with SAE Split Flange Connections (SW 9-14)
FBV-2-F	Forged Body Valve with SAE Split Flange Connections (SW 17)

## Order Example

BBV-2-G10-0001-M-LD01



Type	Description
BBV	Block Body Valve with SAE Flange Connections (SW 9-14)
FBV	Forged Body Valve with SAE Flange Connections (SW 17)
MBBV-2	Block Body Valve (Two-Way Selector) for Manifold Mounting (SW 9-17)
MCBVL-3	Block Body Valve (Three-Way Selector) for Manifold Mounting (SW 9-17)
MCBVSL-3	Block Body Valve (Three-Way Selector) for Manifold Mounting (SW 9-17)

Type	Description
CBV	Block Body Valve (Three-Way Selector) with Threaded Connections (SW 9-17)
CBVS	Block Body Valve (Three-Way Selector) with Threaded Connections (SW 9-17)

## Dimensions / Order Codes

Nominal Size DN	SW	Dimensions (mm/in)				Order Codes Individual Part
		H	B1	B2	B3	
4-8	9	3,5	61	24	10	LD2-SW09-DN4-8
		.14	2.41	.94	.39	
10-13	9	3,5	61	24	10	LD2-SW09-DN10-13
		.14	2.41	.94	.39	
16	12	4,5	64	25,5	12	LD2-SW12
		.18	2.52	1.00	.47	
20-25	14	4,5	84	35,5	14	LD2-SW14
		.18	3.31	1.40	.55	
32-50	17	4,5	136	61,5	15	LD2-SW17
		.18	5.35	2.42	.59	

## Characteristics

Locking kit consisting of locking plate, stopping disk and ring.

## Features

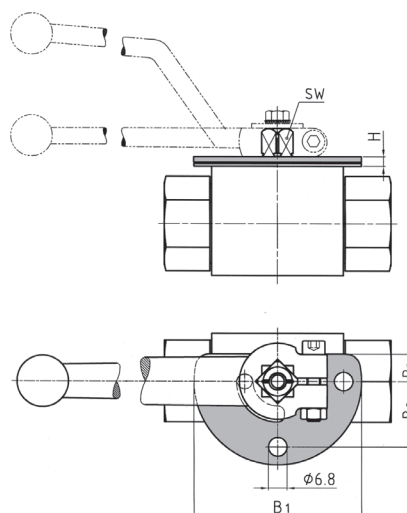
- Field-installed locking device
- Can be dismantled after disassembly of lever

## Suitability

Type	Description
BBV	Block Body Valve with Threaded Connections (SW 9-14)
FBV	Forged Body Valve with Threaded Connections (SW 17)

## Order Example

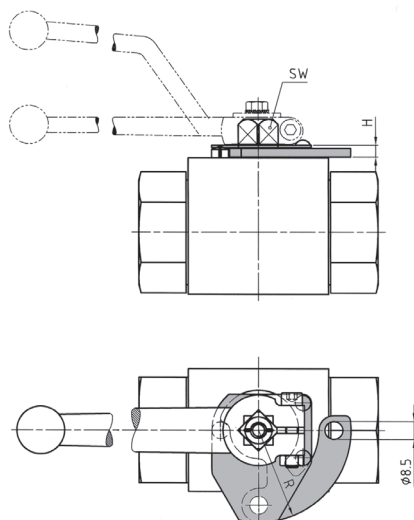
BBV-2-G10-0001-M-LD02



Type	Description
BBV-2-F	Block Body Valve with SAE Split Flange Connections (SW 9-14)
FBV-2-F	Forged Body Valve with SAE Split Flange Connections (SW 17)

Type	Description
CBV (≤DN25)	Block Body Valve (Three-Way Selector) with Threaded Connections
BV-2	Round Body Valve with Direct Flange Connections up to DN 50 (acc. to SAE, ISO, CETOP)

## Locking Device ▀ Type LD3



### Dimensions / Order Codes

Nominal Size DN	SW	Dimensions (mm/in)	
		H	R
4-13	9	4	37
		.16	1.47
16	12	4,3	40
		.17	1.57
20-25	14	5,5	43,5
		.22	1.71
32-50	17	6	69,5
		.24	2.74

### Characteristics

Only available in combination with suitable ball valve.

### Features

- Factory-installed locking device
- High security: Cannot be dismounted when locked

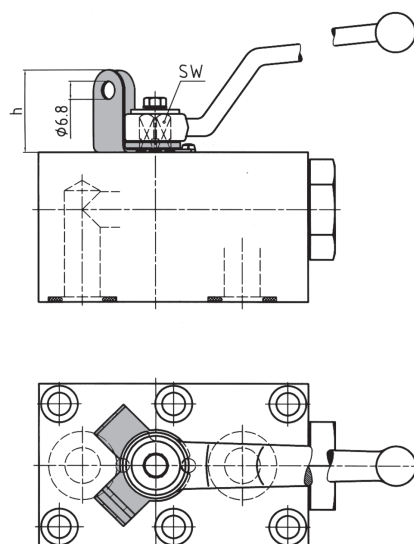
### Order Example

**FBV-2-G20-0001-M-LD3**

### Suitability

Type	Description	Type	Description	Type	Description
BBV	Block Body Valve with Threaded Connections	FBV	Forged Body Valve with Threaded Connections	CBV (≤DN25)	Block Body Valve (Three-Way Selector) with Threaded Connections

## Locking Device ▀ Type LD4



### Dimensions / Order Codes

SW	Dimensions (mm/in)	Order Codes	
		90° Operation	180° Operation
7	24	LD4-SW07-SS	LD4S-SW07-SS
	.94		
9 *	28	LD4-SW09-SS	LD4S-SW09-SS
	1.10		
14 *	34,5	LD4-SW14-SS	LD4S-SW14-SS
	1.36		
17	44	LD4-SW17-SS	LD4S-SW17-SS
	1.73		

\* Lever displaced by 180°

### Characteristics

Locking kit consisting of locking plate, stopping disk and ring.

### Features

- Universal field-installed locking device (for off-set lever)
- Exception for type BV-2, assembled, only available in combination with ball valve
- Can be dismounted after disassembly of lever

### Order Example

**BBV-2-G10-0001-M-LD04**

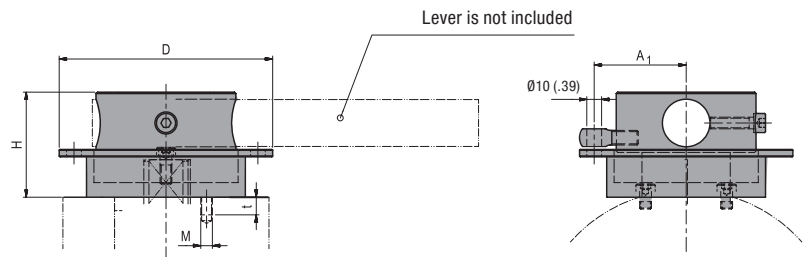
### Suitability

Type	Description	Type	Description
BBV	Block Body Valve with Threaded Connections	MBBV-2	Block Body Valve (Two-Way Selector) for Manifold Mounting
FBV	Forged Body Valve with Threaded Connections	MCBVL-3	Block Body Valve (Three-Way Selector) for Manifold Mounting
HBV	High-Pressure Block Body Valve with Threaded Connections	MCBVL-3	Block Body Valve (Three-Way Selector) for Manifold Mounting
BV-2-C	Round Body Valve with Direct SAE Flange Connections up to DN50 (Only for Stainless Steel)	CBV	Block Body Valve (Three-Way Selector) with Threaded Connections
BV-2-ISO	Round Body Valve with ISO Flange Connections up to DN50 (Only for Stainless Steel)	CBV	Block Body Valve (Three-Way Selector) with SAE Flange Connections
BV-2-CET	Round Body Valve with CETOP Flange Connections up to DN50 (Only for Stainless Steel)	CBVS	Block Body Valve (Three-Way Selector) with Threaded Connections
		LBV	Block Body Valve (Three-Way Selector) with Threaded Connections
		TBV	Block Body Valve (Three-Way Selector) with Threaded Connections
		TBV	Block Body Valve (Four-Way Selector) with Threaded Connections
		XBV	Block Body Valve (Four-Way Selector) with Threaded Connections

## Locking Device ■ Type LD5

## Dimensions

STAUFF Size	Dimensions (mm/in)				
	A1	D	H	M	t
40	62,5	145	71,5	M6	10
	2.46	5.71	2.81		.39
48	62,5	145	71,5	M8	12
	2.46	5.71	2.81		.47
64	67,5	155	74,5	M8	12
	2.66	6.10	2.93		.47
80	72,5	165	104,5	M8	12
	2.85	6.50	4.11		.47



## Characteristics

Only available in combination with suitable ball valve.  
Locking device requires modification in valve body.

## Order Example

BV-2-C340U-0001-M-LD5

## Suitability

Type	Description
BV-2-C	Round Body Valve with Direct SAE Flange Connections
BV-2-CET	Round Body Valve with Direct ISO 6164 Flange Connection
BV-2-ISO	Round Body Valve with Direct CETOP Flange Connection

## Suitability

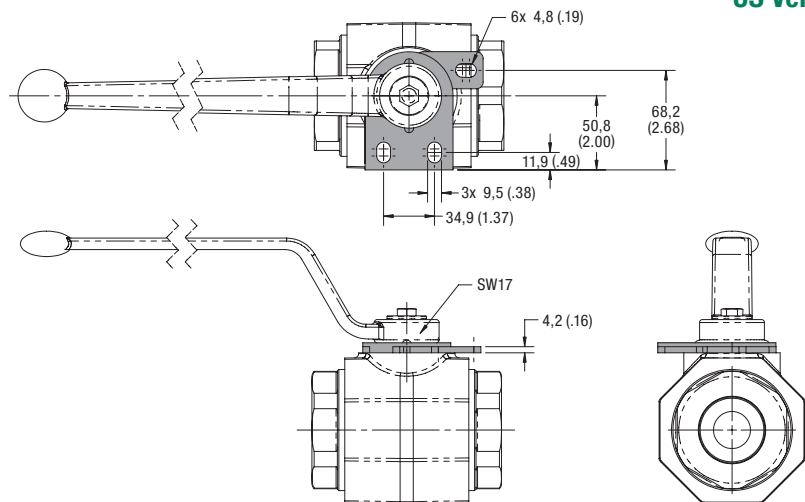
Type	Description
FBV	Forged Body Valve with Threaded Connections
FBV-2-F	Forged Body Valve with SAE Split Flange Connections
FBV	Forged Body Valve with SAE Flange Connections

## Characteristics

Only available in combination with suitable ball valve.  
with suitable ball valve.

## Order Example

FBV-2-G20-0001-M-LD6

 Locking Device ■ Type LD6  
US Version


## Dimensions

STAUFF Size	SW	Dimensions (mm/in)			
		ØA	B	h	h2
08	12	8,5	59	2	
		.33	2.32	.08	
12-16	14	8,5	64	2	
		.33	2.52	.08	
20-32	17	9,5	83	2	
		.37	3.27	.08	
40	16	9,5	102	3	
		.37	4.01	.12	
48	19	9,5	93	3	27
		.37	3.66		
64	24	9,5	113	3	
		.37	4.45	.12	
80	36	9,5	134	3	
		.37	5.28	.12	

## Suitability

Type	Description
BV-2-C	Round Body Valve with Direct SAE Flange Connections

Please contact STAUFF for use with types BV-2-ISO and BV-2-CET.

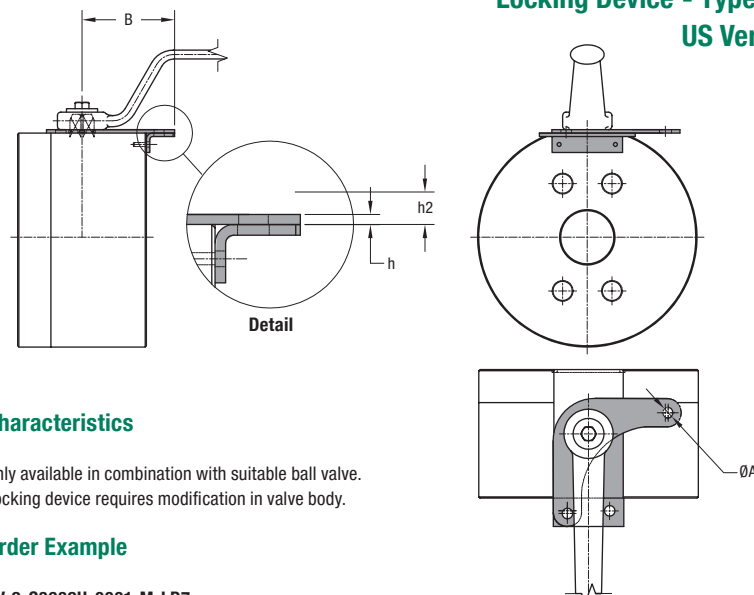
Dimensional drawings: All dimensions in mm (in).

## Characteristics

Only available in combination with suitable ball valve.  
Locking device requires modification in valve body.

## Order Example

BV-2-C3632U-0001-M-LD7

 Locking Device ■ Type LD7  
US Version


**Double-Acting Pneumatic Actuators ▪ Type AD**  
**Single-Acting Pneumatic Actuators ▪ Type AS**  
**Electric Actuators ▪ Type AF**



Most STAUFF ball valves can be factory-mounted to compact and efficient pneumatic or electric actuators for both high-pressure and low-pressure applications.

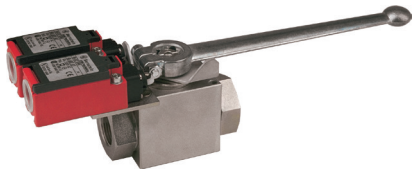
The actuators feature simple, robust construction and are suitable for applications with high cycle requirements.

Please note: The minimum air supply for pneumatic actuators is usually 5,5 bar / 80 PSI. They are designed for 90° open / close applications only and should not be used for valve throttling.

Please contact STAUFF for further information.

**F**

**Limit / Proximity Switches**

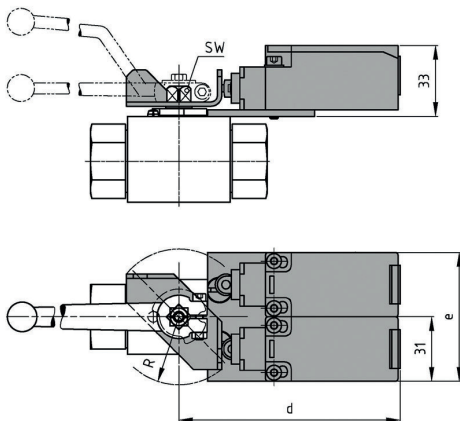


**Limit Switches**

Options / configurations available:

- S0 open
- SC closed
- SOC open/closed

Please contact STAUFF for further information.



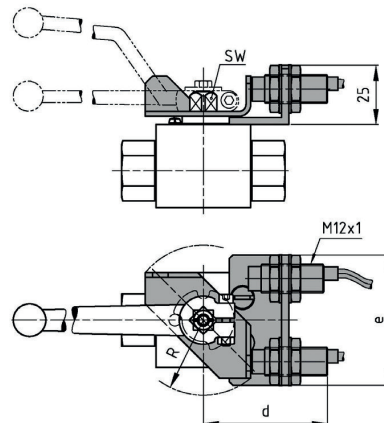
STAUFF Size	Nominal Size DN	SW	Dimensions (mm/in)		
			d	e	R
02-05	4-8	9	102	60	32
		.35	4.02	2.36	1.26
06	10	9	102	60	32
		.35	4.02	2.36	1.26
08	13	9	102	60	32
		.35	4.02	2.36	1.26
10	16	12	108	73	40
		.47	4.25	2.87	1.57
12	20	14	106	70	37,5
		.55	4.17	2.76	1.48
16	25	14	106	70	37,5
		.55	4.17	2.76	1.48
20-32	32-50	17	114	85	49
		.67	4.49	3.35	1.93

**Proximity Switches**

Options / configurations available:

- PO open
- PC closed
- POC open/closed

Please contact STAUFF for further information.



STAUFF Size	Nominal Size DN	SW	Dimensions (mm/in)		
			d	e	R
02-05	4-8	9	54	55	32
		.35	2.13	2.17	1.26
06	10	9	54	55	32
		.35	2.13	2.17	1.26
08	13	9	54	55	32
		.35	2.13	2.17	1.26
10	16	12	60	68	40
		.47	2.36	2.68	1.57
12	20	14	58	64	37,5
		.55	2.38	2.52	1.48
16	25	14	58	64	37,5
		.55	2.38	2.52	1.48
20-32	32-50	17	66	80	49
		.67	2.60	3.15	1.93

**Dimensions**

Multi-Way Ball Valves (Types LBV / TBV / XBV)

STAUFF Size	Nominal Size DN	Dimensions (mm/in)					
		SW	K	H	R	g	t
02	4	12	175	45	20	6	7
		.47	6.89	1.77	.79	.24	.28
04	6	12	175	45	20	6	7
		.47	6.89	1.77	.79	.24	.28
05	8	14	200	45	29	6	4
		.55	7.87	1.77	1.14	.24	.16
06	10	14	200	45	29	6	4
		.55	7.87	1.77	1.14	.24	.16
08	13	14	200	45	29	6	4
		.55	7.87	1.77	1.14	.24	.16
10	16	17	200	45	29	6	4
		.67	7.87	1.77	1.14	.24	.16
12	20	17	240	45	28	6	4
		.67	9.45	1.77	1.10	.24	.16
16	25	17	240	45	28	6	4
		.67	9.45	1.77	1.10	.24	.16

Please contact STAUFF for further information.

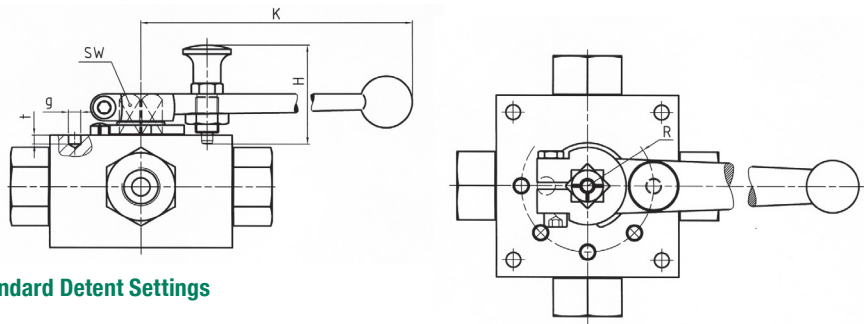
**Standard Detent Settings**

- D1 0° / 90° (standard clockwise)
- D2 0° / 45° (standard clockwise)
- D3 0° / 45° / 90° (standard clockwise)
- D4 0° / 45° / 90° / 135° (standard clockwise)
- D5 0° / 90° / 180° (standard clockwise)

**Ball Valves with Detents - Type DT...**

Order Example

LBV-3-G06-0001-M-D1



**Dimensions**

Block Body Ball Valves (Types BBV / CBV / CBVS)

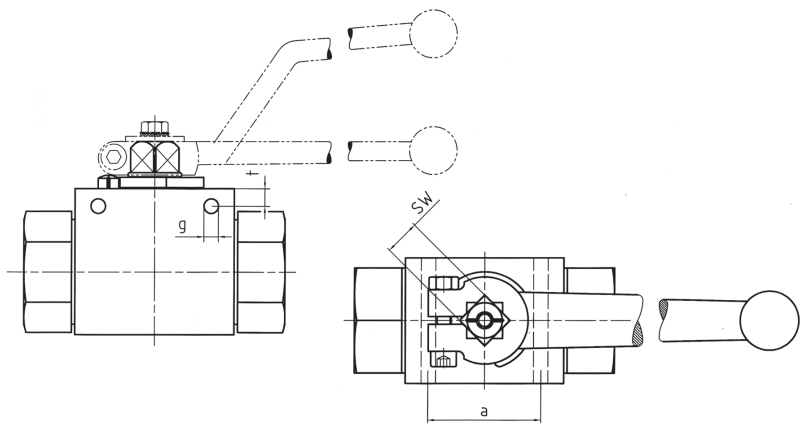
STAUFF Size	Nominal Size DN	Dimensions (mm/in)			
		SW	a	g	t
02	4	9	31	4,3	4,5
		.35	1.22	.17	.18
04	6	9	31	4,3	4,5
		.35	1.22	.17	.18
05	8	9	31	4,3	4,5
		.35	1.22	.17	.18
06	10	9	32	4,3	4
		.35	1.26	.17	.16
08	13	9	32	4,3	4
		.35	1.26	.17	.16
10	16	12	32	5,2	6
		.47	1.26	.20	.24
12	20	14	44	6,2	6
		.55	1.73	.44	.24
16	25	14	44	6,3	6
		.55	1.73	.25	.24

Please contact STAUFF for further information.

**Ball Valves with Assembly Holes - Type SM**

Order Example

BBV-2-G06-0001-M-SM



**Dimensions**

Block Body Ball Valves (Types BBV / HBV / CBV / CBVS up to STAUFF Size 16)

Forged Body Ball Valves (Types FBV from STAUFF Size 20 on)

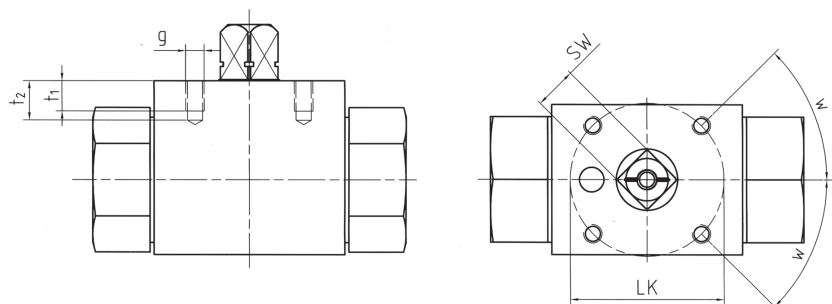
STAUFF Size	Nominal Size DN	Dimensions (mm/in)						ISO 5211
		SW	LK	g	t1	t2	w	
02	4	9	36	M5	6	7,5	30°*	F03*
		.35	1.42		.24	.30		
04	6	9	36	M5	6	7,5	30°*	F03*
		.35	1.42		.24	.30		
05	8	9	36	M5	6	7,5	30°*	F03*
		.35	1.42		.24	.30		
06	10	9	36	M5	7	9	45°	F03
		.35	1.42		.28	.35		
08	13	9	36	M5	6	8	45°	F03
		.35	1.42		.24	.31		
10	16	12	42	M5	8	10	45°	F04
		.47	1.65		.31	.39		
12	20	14	50	M6	10	14	45°	F05
		.55	1.97		.39	.55		
16	25	14	50	M6	10	12	45°	F05
		.55	1.97		.39	.47		
20	32	17	50	M6	8	12	45°	F05
		.67	1.97		.31	.47		
24	40	17	50	M6	8	12	45°	F05
		.67	1.97		.31	.47		
32	50	17	50	M6	8	12	45°	F05
		.67	1.97		.31	.47		

\* 30° is not corresponding to ISO 5211  
Standard option without Stop Pin, Thrust Ring and Lever.  
Please contact STAUFF for further information.

**Ball Valves with Assembly Threads - Type PM**

Order Example

BBV-2-G06-0001-M-PM



## Porting Patterns

Type	Symbol	Porting Pattern	Code	Stop of End Position	Operating Angle	Overlap
<b>MCBVL-3</b>	LLu		P58		90°	negative
<b>MCBVL-3</b>	Lu		P57		180°	positive
* Pressure inlet possible from all ports! Must be operated without pressure!						
<b>CBVL</b>	L		P50		90°	negative
<b>CBVT</b>	T		P51		90°	negative
<b>CBVSL</b>	L		P55 *		90°	negative
<b>CBVST</b>	T		P56 *		90°	negative
* Pressure inlet possible from all ports! Must be operated without pressure!						
<b>Not Allowed</b>	T					
<b>LBV-3</b>	L		P01		90°	positive
<b>TBV-3</b>	T		P02		90°	positive

### Alternative Porting Patterns LBV-3 / TBV-3

-LL45		P03		45°	negative
-TL45		P04		45°	negative
-LI90-1		P06		90°	negative
-TL90-1		P08		90°	negative
-TI90		P09		90°	negative
T		P99		90°	positive

Alternative porting patterns have to be indicated by adding the code (e.g. **-P03**) at the end of the order code!

## Porting Patterns

Type	Symbol	Porting Pattern	Code	Stop of End Position	Operating Angle	Overlap
<b>TBV-4</b>	T		P13		90°	positive
<b>XBV-4</b>	X		P14		90°	negative with closed position

## Alternative Porting Patterns TBV-4 / XBV-4 / LBV-4

-X45		P15		45°	negative
-XI45		P16		45°	negative
-XI90		P17		90°	negative
-LI90		P18		90°	negative
-XT90		P19		90°	negative
-TL90-2		P21		90°	negative
-XL90-1		P22		90°	negative
-XL90-2		P23		90°	negative
-L180		P27		180°	positive

Alternative porting patterns have to be indicated by adding the code (e.g. **-P03**) at the end of the order code!