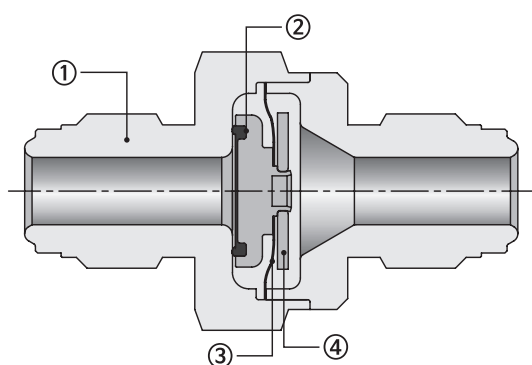
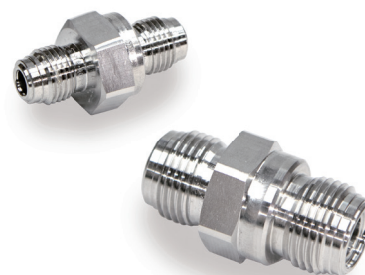


SWCV Series All-Welded Check Valve

Features

- All-welded Design ensures perfect sealing of fluid.
- Compact Design, Simple component structure.
- 316L Stainless Steel body material has improved Corrosion resistance.
- Elgiloy material spring with strong Corrosion resistance for long cycle life.
- Sealing surface provide excellent seal performance.
- Maximum working pressure is up to 3000psig.(206bar)
- All Valves are factory tested with 100% helium.



Materials of Construction

No	Component	Materials
1	Body	316L Stainless Steel (Single/Double Melt)
2	Poppet	SS316L / FKM
3	Circular Spring	Elgiloy
4	Poppet Stopper	SS316L

Product Grade

Level	Inner Surface Roughness	
	Ra	Ry
EP	≤ 5 μ inch	≤ 0.7 μm
BA	≤ 10 μ inch	≤ 3.0 μm
AP	≤ 100 μ inch	≤ 25 μm

Cleaning and Packaging

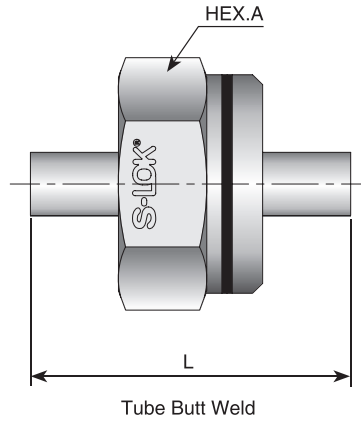
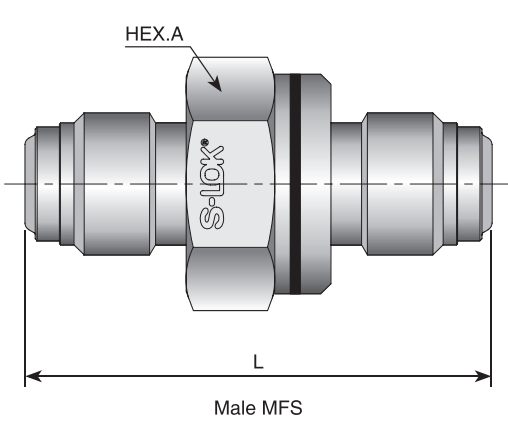
- All parts are free of emulsion composition and residues involved in the machining process.
- Valves are assembled, inspected, tested and packaged in a CLASS 10-100 cleanroom.
- Double bag packaging is standard, and the inner bag contains ultra pure nitrogen.

Specifications

Size in.	Max. Working Pressure Mpa(psig)	Nominal Reseal Back Pressure Kpa(psig)	Nominal Cracking Pressure Kpa(psig)	Temperature Rating °C (°F)	Flow Coefficient (CV)	Inboard Helium Leak Rates	Particle Inspection(EP) (0.1μm and Larger)
1/4	20.6 (3000)	27.6(4)	13.8(2)	-10 ~ 80	0.55	≤ 1x10 ⁻⁹ arm cc/sec	No count pressure:60~80psi N2 gas
1/2				(-14 ~ 176)	0.7		

Ordering Information and Dimensions

SWCV	MG	8	EP	S6LS
Valve Model	Connection Type	Connection Size	Product Grade	Body Material
<ul style="list-style-type: none"> • SWCV : All-Welded Check Valves 	<ul style="list-style-type: none"> • MG : Male Metal Face Seal • BW : Butt Weld 	<ul style="list-style-type: none"> • 4 : 1/4" • 8 : 1/2" 	<ul style="list-style-type: none"> • BA : BA • EP : EP 	<ul style="list-style-type: none"> • S6LS : SS316L Single Melt • S6LV : SS316L Double Melt



Dimensions

Basic Ordering Number	End Connection	Dimensions, mm	
		L	A
SWCV-MG-4	Male MFS 1/4"	45.8	22.2
SWCV-MG-8	Male MFS 1/2"	52.3	27.0
SWCV-BW-4	Tube Butt Weld 1/4"	31.5	22.2
SWCV-BW-8	Tube Butt Weld 1/2"		