



1945 - 2020



MHA ZENTGRAF
FlowControlTechnology

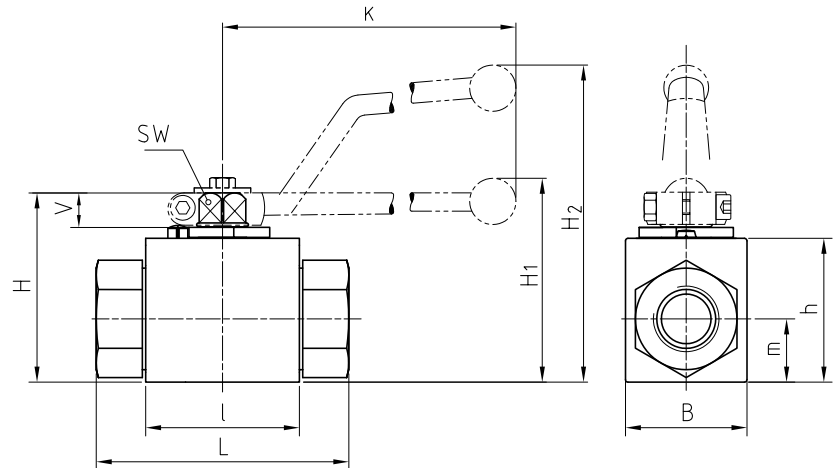


CATALOG

2-way ball valve Steel

BKH / BKHP500

Two-way



AVAILABLE SIZES

DN4 - DN25 (1/8" to 1")

CONNECTIONS

DIN ISO 228 Female thread, ANSI B1.20.1 NPT Female thread, DIN 2353/ISO 8434-1 Light / Heavy series, SAE J 514/ISO/DIS11926-1 Female thread, ISO 7/1 Rc Female thread, ISO 8434-3 ORFS Male thread, others on request

ACCESSORIES ON REQUEST

- Locking devices page 230 - 233
- Actuators 228 - 229
- Mounting holes 17
- Position switches 236 - 237
- Combinations 192 - 194
- Detent on request

MATERIAL CODE DESCRIPTION

Materials	112A	1128
Body	Steel	Steel
Ball	Steel	Steel
Stem	Steel	Steel
Ball seats	POM	POM
O-rings	NBR	FPM
Tmin / Tmax	-20°C / 100°C	-20°C / 100°C

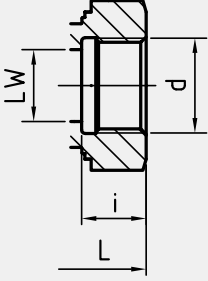
GENERAL DIMENSIONS

Type	l	B	H	h	m	V	SW	K	H ₁	H ₂	Lever
BKH-DN4	40	26	47	33	13,5	11	9	115	-	82	Zn
BKH-DN6	40	26	47	33	13,5	11	9	115	-	82	Zn
BKH-DN8	40	26	47	33	13,5	11	9	115	-	82	Zn
BKH-DN10	43	32	52	38	17,5	11	9	115	-	86	Zn
BKH-DN13	48	35	54	40	19	11	9	115	-	89	Zn
BKH-DN16	48	38	63	46	19	13	12	160	-	106	Al
BKH-DN20	62	49	75	57	24,5	14	14	200	79	-	Zn
BKH-DN25	66	58	83	65	29,5	14	14	200	87	-	Zn
BKHP500-DN25	74	70	88	70	34,5	14	14	200	92	-	Zn
BKH-DN25/32	66	58	83	65	29,5	14	14	200	87	-	Zn
BKH-DN25/40	66	58	83	65	29,5	14	14	200	87	-	Zn
BKHR-DN25	70	55	78	60	26	14	14	171	-	129	Zn

2-way ball valve Steel

BKH / BKHP500

Two-way

CONNECTION TYPE	DIMENSIONS						ORDER CODE PER MATERIAL COMBINATION		
	Type	LW	L	i	d	Weight [Kg]	PN [bar]	112A	1128
DIN ISO 228 FEMALE THREAD 	BKH-DN4-G1/8	5	69	10	G1/8	0,41	500	20639*	34799*
	BKH-DN6-G1/4	6	69	14	G1/4	0,40	500	17401*	17679*
	BKH-DN10-G3/8	10	72	14	G3/8	0,54	500	17185*	19901*
	BKH-DN13-G1/2	13	83	16,3	G1/2	0,65	500	17253*	17165*
	BKH-DN16-G5/8	15	83	16	G5/8	0,70	420	21519*	25726*
	BKH-DN20-G3/4	20	95	18	G3/4	1,50	420	17254*	17183*
	BKH-DN25-G1	25	113	20	G1	2,20	350	17751*	30379*
	BKHR-DN25-G1	24	115	20	G1	2,16	420	68360*	on request
	BKHP500-DN25-G1	25	113	20	G1	3,10	500	43622	43835
	BKH-DN25/32-G1 1/4	25	120	22	G1 1/4	2,30	350	17630*	19765*
	BKH-DN25/40-G1 1/2	25	130	24	G1 1/2	2,60	350	25357*	29191*

CONNECTION TYPE	DIMENSIONS						ORDER CODE PER MATERIAL COMBINATION		
	Type	LW	L	i	d	Weight [Kg]	PN [bar]	112A	1128
ANSI B1.20.1 NPT FEMALE THREAD 	BKH-DN4-1/8"NPT	5	69	10,5	1/8"NPT	0,30	500	02832*	25698*
	BKH-DN6-1/4"NPT	6	69	13,7	1/4"NPT	0,40	500	17174*	24525*
	BKH-DN10-3/8"NPT	10	72	13,5	3/8"NPT	0,55	500	17175*	25700*
	BKH-DN13-1/2"NPT	13	83	17	1/2"NPT	0,75	500	17176*	24526*
	BKH-DN20-3/4"NPT	20	95	18,3	3/4"NPT	1,63	420	17177*	25721*
	BKH-DN25-1"NPT	25	113	21,6	1"NPT	2,30	350	17178*	25722*
	BKHR-DN25-1"NPT	24	115	19	1"NPT	2,3	420	on request	on request
	BKHP500-DN25-1"NPT	25	113	21,6	1"NPT	3,16	500	43836	43837
	BKH-DN25/32-1 1/4"NPT	25	120	22,1	1 1/4"NPT	2,51	350	17179*	25723*
	BKH-DN25/40-1 1/2"NPT	25	130	22,1	1 1/2"NPT	2,70	250	32506*	32165*

CONNECTION TYPE	DIMENSIONS						ORDER CODE PER MATERIAL COMBINATION			
	Type	LW	RA	L	i	d	Weight [Kg]	PN [bar]	112A	1128
DIN 2353 / ISO 8434-1 LIGHT SERIES 	BKH-DN4-6L	5	6	67	7	M 12x1,5	0,36	500	17485*	25703*
	BKH-DN6-8L	6	8	67	7	M 14x1,5	0,37	500	17380*	25704*
	BKH-DN8-10L	8	10	74	7	M 16x1,5	0,38	500	17260*	17600*
	BKH-DN10-12L	10	12	74	7	M 18x1,5	0,50	500	17381*	25705*
	BKH-DN13-15L	13	15	82	7	M 22x1,5	0,61	500	17382*	25706*
	BKH-DN13-18L	13	18	82	7,5	M 26x1,5	0,60	500	18385*	25708*
	BKH-DN16-18L	15	18	82	7,5	M 26x1,5	0,75	420	17486*	25709*
	BKH-DN20-22L	20	22	101	7,5	M 30x2	1,49	420	18567*	25710*
	BKH-DN25-28L	25	28	108	7,5	M 36x2	2,00	350	17427*	25711*
	BKH-DN25/32-35L	25	35	112	10,5	M 45x2	2,12	350	18672*	02868*
	BKH-DN25/40-42L	25	42	112	11	M 52x2	2,27	350	20190*	33207*
	BKHR-DN25-28L	24	28	108	7,5	M 36x2	1,90	420	68368*	on request
	BKHR-DN25/32-35L	24	35,3	116	10,5	M 45x2	2,02	420	68369*	on request
	BKHR-DN25/40-42L	24	42,3	121	11	M 52x2	2,20	420	69221	on request

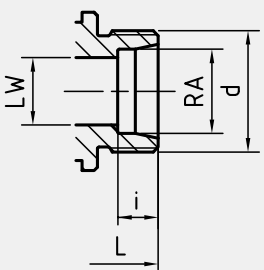
Please note the pressure ratings of the tube connections!

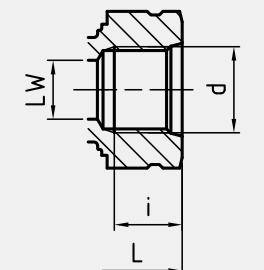
*Article usually in stock.

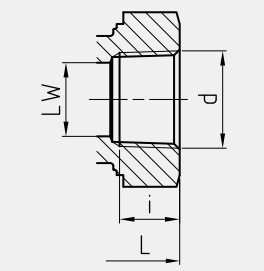
2-way ball valve Steel

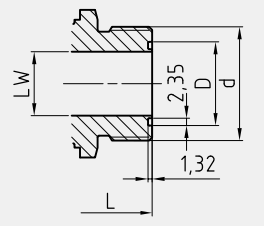
BKH / BKHP500

Two-way

CONNECTION TYPE	DIMENSIONS								ORDER CODE PER MATERIAL COMBINATION		
	Type	LW	RA	L	i	d	Weight [Kg]	PN [bar]	112A	1128	
 DIN 2353 / ISO 8434-1 HEAVY SERIES	BKH-DN4-8S	5	8	73	7	M 16x1,5	0,38	500	18168*	25713*	
	BKH-DN6-10S	6	10	73	7,5	M 18x1,5	0,39	500	18386*	25714*	
	BKH-DN8-12S	8	12	76	7,5	M 20x1,5	0,39	500	17255*	25715*	
	BKH-DN10-14S	10	14	80	8	M 22x1,5	0,50	500	21515*	25716*	
	BKH-DN13-16S	13	16	86	8,5	M 24x1,5	0,60	500	17384*	17984*	
	BKH-DN13-20S	13	20	90	10,5	M 30x2	0,60	500	18169*	25718*	
	BKH-DN16-20S	15	20	90	10,5	M 30x2	0,80	420	17371*	22625*	
	BKH-DN20-25S	20	25	109	12	M 36x2	1,55	420	17624*	25719*	
	BKH-DN25-30S	25	30	120	13,5	M 42x2	2,10	350	18673*	22864*	
	BKHR-DN25-30S	24	30	120	13,5	M 42x2	2,01	420	68376*	on request	
	BKHP500-DN25-30S	25	30	130	13,5	M 42x2	3,06	500	44029	44030	
	BKH-DN25/32-38S	25	38	124	16	M 52x2	2,30	350	21517*	25720*	
	BKHR-DN25/32-38S	24	38,3	134	16	M 52x2	2,20	420	71334	on request	

CONNECTION TYPE	DIMENSIONS						ORDER CODE PER MATERIAL COMBINATION		
	Type	LW	L	i	d	Weight [Kg]	PN [bar]	112A	1128
 SAE J514/ISO/DIS11926-1 FEMALE THREAD	BKH-DN6-7/16" UNF	5	69	12	7/16"-20 UNF	0,40	500	28609*	10046*
	BKH-DN10-9/16" UNF	10	72	13	9/16"-18 UNF	0,50	500	23885*	09793*
	BKH-DN13-3/4" UNF	13	83	15	3/4"-16 UNF	0,70	500	22842*	27701*
	BKH-DN20-1 1/16" UN	20	95	20	1 1/16"-12 UN	1,55	420	19202*	27122*
	BKH-DN25-1 5/16" UN	25	113	20	1 5/16"-12 UN	2,20	350	37159*	10048*
	BKHP500-DN25-1 5/16" UN	25	121	20	1 5/16"-12 UN	3,06	500	45667	45669

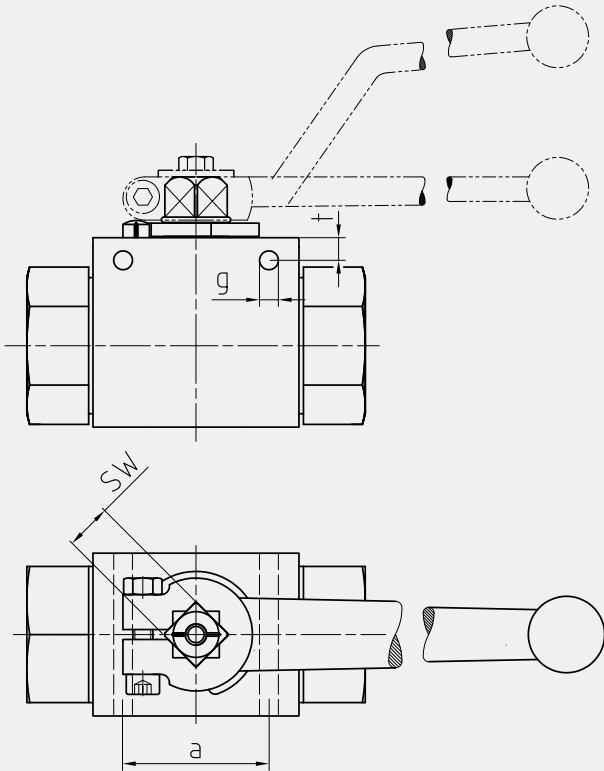
CONNECTION TYPE	DIMENSIONS						ORDER CODE PER MATERIAL COMBINATION		
	Type	LW	L	i	d	Weight [Kg]	PN [bar]	112A	1128
 ISO 7/1 Rc FEMALE THREAD	BKH-DN4-Rc 1/8"	5	69	7,4	Rc 1/8"	0,40	500	12050	59580
	BKH-DN6-Rc 1/4"	6	69	11	Rc 1/4"	0,39	500	10105	14758
	BKH-DN10-Rc 3/8"	10	72	11,4	Rc 3/8"	0,55	500	26165	16185
	BKH-DN13-Rc 1/2"	13	83	15	Rc 1/2"	0,64	500	10106	35501
	BKH-DN20-Rc 3/4"	20	95	16,3	Rc 3/4"	1,59	420	09384	24264
	BKH-DN25-Rc 1"	25	113	19	Rc 1"	2,30	350	09800	51889
	BKHP500-DN25-Rc 1"	25	113	19	Rc 1"	3,20	500	59578	59579
	BKH-DN25/32-Rc 1 1/4"	25	120	21,4	Rc 1 1/4"	2,37	350	11752	59581

CONNECTION TYPE	DIMENSIONS							ORDER CODE PER MATERIAL COMBINATION		
	Type	LW	L	D	d	O-ring**	Weight [Kg]	PN [bar]	112A	1128
 ISO 8434-3 ORFS MALE THREAD	BKH-DN6									on request
	BKH-DN8-11/16" UN ISO8434-3	6,5	73	12,6	11/16"-16 UN	9,25 x 1,78	0,40	500		on request
	BKH-DN10-13/16" UN ISO8434-3	9,5	80	15,77	13/16"-16 UN	12,42 x 1,78	0,50	500		on request
	BKH-DN13-1" UNS ISO8434-3	12,5	90	19	1-14" UNS	15,6 x 1,78	0,60	500		on request
	BKH-DN16-1 3/16" UN ISO8434-3	15	98	22,17	1 3/16"-12 UN	18,77 x 1,78	0,80	420		on request
	BKH-DN20-1 7/16" UN ISO8434-3	20	111	26,87	1 7/16"-12 UN	23,52 x 1,78	1,60	420		on request
	BKH-DN25-1 11/16" UN ISO8434-3	25	120	33,25	1 11/16"-12 UN	29,87 x 1,78	2,10	250		on request

Please note the pressure ratings of the tube connections!

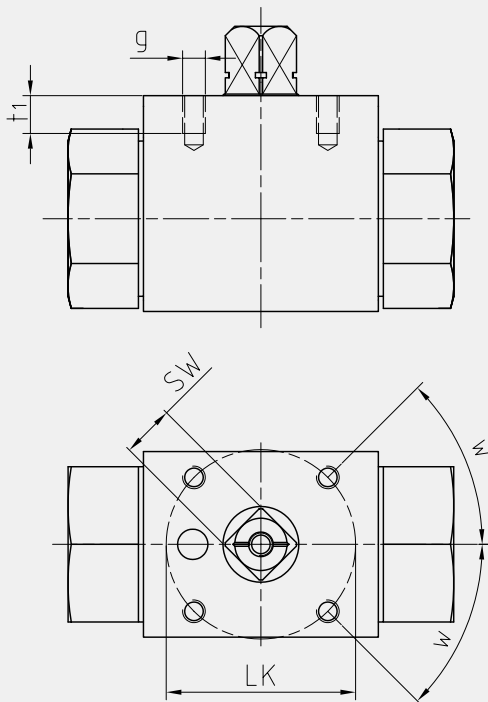
**O-ring included

*Article usually in stock.



ASSEMBLING HOLES

DN	SW	a	g	t
4	9	31	4,3	4,5
6	9	31	4,3	4,5
10	9	32	4,3	4
13	9	32	4,3	4
16	12	32	5,2	6
20	14	44	6,2	6
25	14	44	6,3	6
25/32	14	44	6,3	6
25/40	14	44	6,3	6



ASSEMBLING THREADS AS PER ISO 5211

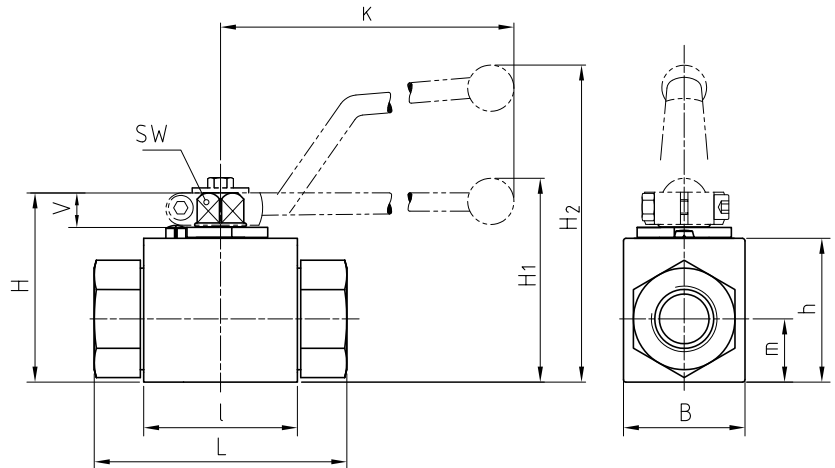
DN	SW	LK	g	t ₁	w	ISO 5211
4	9	36	M5	6	30°*	(F03)*
6	9	36	M5	6	30°*	(F03)*
10	9	36	M5	7	45°	F03
13	9	36	M5	6	45°	F03
16	12	42	M5	8	45°	F04
20	14	50	M6	10	45°	F05
25	14	50	M6	10	45°	F05
25/32	14	50	M6	10	45°	F05
25/40	14	50	M6	10	45°	F05

*30° does not correspond to ISO 5211

2-way ball valve Stainless Steel

BKH / BKHP500

Two-way



AVAILABLE SIZES

DN4 - DN25 (1/8" to 1")

CONNECTIONS

DIN ISO 228 Female thread, ANSI B1.20.1 NPT Female thread, DIN 2353/ISO 8434-1 Light / Heavy series, SAE J 514/ISO/DIS11926-1 Female thread, ISO 7/1 Rc Female thread, ISO 8434-3 ORFS Male thread, others on request

ACCESSORIES ON REQUEST

- Locking devices page 230 - 233
- Actuators 228 - 229
- Mounting holes 23
- Position switches 236 - 237
- Combinations 192 - 194
- Detent on request

MATERIAL CODE DESCRIPTION

Materials	442A	4428
Body	Stainless Steel	Stainless Steel
Ball	Stainless Steel	Stainless Steel
Stem	Stainless Steel	Stainless Steel
Ball seats	POM	POM
O-rings	NBR	FPM
Tmin / Tmax	-30°C / 100°C	-20°C / 100°C

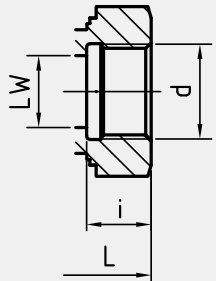
GENERAL DIMENSIONS

Type	L	B	H	h	m	V	SW	K	H ₁	H ₂	Lever
BKH-DN4	40	26	47	33	13,5	11	9	115	-	82	Zn
BKH-DN6	40	26	47	33	13,5	11	9	115	-	82	Zn
BKH-DN8	40	26	47	33	13,5	11	9	115	-	82	Zn
BKH-DN10	43	32	52	38	17,5	11	9	115	-	86	Zn
BKH-DN13	48	35	54	40	19	11	9	115	-	89	Zn
BKH-DN16	48	38	63	46	19	13	12	160	-	106	Al
BKH-DN20	62	49	75	57	24,5	14	14	200	79	-	Zn
BKHP500-DN20	82	58	83	65	32,5	14	14	200	87	-	Zn
BKH-DN25	66	58	83	65	29,5	14	14	200	87	-	Zn
BKHP500-DN25	84	70	88	70	34,5	14	14	200	92	-	Zn
BKH-DN25/32	66	58	83	65	29,5	14	14	200	87	-	Zn
BKH-DN25/40	66	58	83	65	29,5	14	14	200	87	-	Zn
BKHR-DN25	71	75	91	75	38	14	14	190	-	128	VA

2-way ball valve Stainless Steel

BKH / BKHP500

Two-way

CONNECTION TYPE	DIMENSIONS						ORDER CODE PER MATERIAL COMBINATION		
	Type	LW	L	i	d	Weight [Kg]	PN [bar]	442A	4428
DIN ISO 228 FEMALE THREAD 	BKH-DN4-G1/8	5	69	10	G1/8	0,41	500	29754*	30422*
	BKH-DN6-G1/4	6	69	14	G1/4	0,40	500	27183*	26726*
	BKH-DN10-G3/8	10	72	14	G3/8	0,54	500	27261*	27180*
	BKH-DN13-G1/2	13	83	16,3	G1/2	0,65	500	27260*	27182*
	BKH-DN16-G5/8	15	83	16	G5/8	0,70	400	32270*	31558*
	BKH-DN20-G3/4	20	95	18	G3/4	1,50	350	27657*	27817*
	BKHP500-DN20-G3/4	20	107	18	G3/4	2,57	500	50143	53461
	BKH-DN25-G1	25	113	20	G1	2,20	350	27026*	27673*
	BKHR-DN25-G1	24	122	20	G1	3,62	400	68604	on request
	BKHP500-DN25-G1	25	131	20	G1	3,94	500	50144	53462
	BKH-DN25/32-G1 1/4	25	120	22	G1 1/4	2,30	350	27438*	34869*
	BKH-DN25/40-G1 1/2	25	130	24	G1 1/2	2,60	250	33223*	35476*

CONNECTION TYPE	DIMENSIONS						ORDER CODE PER MATERIAL COMBINATION		
	Type	LW	L	i	d	Weight [Kg]	PN [bar]	442A	4428
ANSI B1.20.1 NPT FEMALE THREAD 	BKH-DN4-1/8"NPT	5	69	10,5	1/8"NPT	0,30	500	37169*	37170*
	BKH-DN6-1/4"NPT	6	69	13,7	1/4"NPT	0,40	500	28387*	27369*
	BKH-DN10-3/8"NPT	10	72	13,5	3/8"NPT	0,55	500	28388*	28750*
	BKH-DN13-1/2"NPT	13	83	17	1/2"NPT	0,75	500	41318*	27803*
	BKH-DN20-3/4"NPT	20	95	18,3	3/4"NPT	1,63	350	29237*	27429*
	BKHP500-DN20-3/4"NPT	20	107	18,3	3/4"NPT	2,60	500	53463	53464
	BKH-DN25-1"NPT	25	113	21,6	1"NPT	2,30	350	26996*	28451*
	BKHR-DN25-1"NPT	24	122	19	1"NPT	3,36	400	on request	on request
	BKHP500-DN25-1"NPT	25	131	21,6	1"NPT	4,00	500	53465	53466
	BKH-DN25/32-1 1/4"NPT	25	120	22,1	1 1/4"NPT	2,51	350	37168*	37171*
	BKH-DN25/40-1 1/2"NPT	25	130	22,1	1 1/2"NPT	2,70	250	37767*	37768*

CONNECTION TYPE	DIMENSIONS						ORDER CODE PER MATERIAL COMBINATION			
	Type	LW	RA	L	i	d	Weight [Kg]	PN [bar]	442A	4428
DIN 2353 / ISO 8434-1 LIGHT SERIES 	BKH-DN4-6L	5	6	67	7	M 12x1,5	0,36	500	26268*	28589*
	BKH-DN6-8L	6	8	67	7	M 14x1,5	0,37	500	27342*	27381*
	BKH-DN8-10L	8	10	74	7	M 16x1,5	0,38	500	34754*	27380*
	BKH-DN10-12L	10	12	74	7	M 18x1,5	0,50	500	26263*	27388*
	BKH-DN13-15L	13	15	82	7	M 22x1,5	0,61	500	34673*	27658*
	BKH-DN13-18L	13	18	82	7,5	M 26x1,5	0,60	500	33220*	28732*
	BKH-DN16-18L	15	18	82	7,5	M 26x1,5	0,75	400	31293*	29097*
	BKH-DN20-22L	20	22	101	7,5	M 30x2	1,49	350	32346*	27965*
	BKH-DN25-28L	25	28	108	7,5	M 36x2	2,00	350	68605*	37164*
	BKH-DN25/32-35L	25	35	112	10,5	M 45x2	2,12	350	33221*	32289*
	BKH-DN25/40-42L	25	42	112	11	M 52x2	2,27	350	37765*	37766*
	BKHR-DN25/40-42L	24	28	112	7,65	M 36x2	3,31	400	on request	on request

Please note the pressure ratings of the tube connections!

*Article usually in stock.

2-way ball valve Stainless Steel

BKH / BKHP500

Two-way

CONNECTION TYPE	DIMENSIONS							ORDER CODE PER MATERIAL COMBINATION		
DIN 2353 / ISO 8434-1 HEAVY SERIES	Type	LW	RA	L	i	d	Weight [Kg]	PN [bar]	442A	4428
	BKH-DN4-8S	5	8	73	7	M 16x1,5	0,38	500	28455*	27378*
	BKH-DN6-10S	6	10	73	7,5	M 18x1,5	0,39	500	32334*	32837*
	BKH-DN8-12S	8	12	76	7,5	M 20x1,5	0,39	500	27887*	29803*
	BKH-DN10-14S	10	14	80	8	M 22x1,5	0,50	500	28011*	30738*
	BKH-DN13-16S	13	16	86	8,5	M 24x1,5	0,60	500	27599*	28494*
	BKH-DN13-20S	13	20	90	10,5	M 30x2	0,60	500	27598*	28207*
	BKH-DN16-20S	15	20	90	10,5	M 30x2	0,80	400	29971*	29173*
	BKH-DN20-25S	20	25	109	12	M 36x2	1,55	350	27365*	28751*
	BKHP500-DN20-25S	20	25	129	12	M 36x2	2,52	500	53467	53468
	BKH-DN25-30S	25	30	120	13,5	M 42x2	2,10	350	27015*	35233*
	BKHR-DN25-30S	24	30	124	13,65	M 42x2	3,43	400	68606	on request
	BKHP500-DN25-30S	25	30	138	13,5	M 42x2	4,00	500	53469	53470
	BKH-DN25/32-38S	25	38	124	16	M 52x2	2,30	350	27178*	32570*
SAE J514/ISO/DIS11926-1 FEMALE THREAD	Type	LW	L	i	d	Weight [Kg]	PN [bar]	442A	4428	
	BKH-DN6-7/16"UNF	5	69	12	7/16"-20 UNF	0,39	500	37174*	37179*	
	BKH-DN10-9/16"UNF	10	72	13	9/16"-18 UNF	0,50	500	37175*	37180*	
	BKH-DN13-3/4"UNF	13	83	15	3/4"-16 UNF	0,60	500	37176*	37181*	
	BKH-DN20-1 1/16"UN	20	95	20	1 1/16"-12 UN	1,55	350	37177*	37182*	
	BKHP500-DN20-1 1/16"UN	20	108	20	1 1/16"-12 UN	2,55	420	53471	53472	
	BKH-DN25-1 5/16"UN	25	113	20	1 5/16"-12 UN	2,10	350	37178*	37183*	
BKHP500-DN25-1 5/16"UN	25	131	20	1 5/16"-12 UN	4,00	500	53473	53474		
ISO 7/1 Rc FEMALE THREAD	Type	LW	L	i	d	Weight [Kg]	PN [bar]	442A	4428	
	BKH-DN4-Rc 1/8"	5	69	7,4	Rc 1/8"	0,40	500	59582	59583	
	BKH-DN6-Rc 1/4"	6	69	11	Rc 1/4"	0,39	500	29014	59584	
	BKH-DN10-Rc 3/8"	10	72	11,4	Rc 3/8"	0,55	500	29015	40400	
	BKH-DN13-Rc 1/2"	13	83	15	Rc 1/2"	0,64	500	29016	59585	
	BKH-DN20-Rc 3/4"	20	95	16,3	Rc 3/4"	1,59	350	29017	57551	
	BKHP500-DN20-Rc 3/4"	20	107	16,3	Rc 3/4"	2,57	420	59586	59587	
	BKH-DN25-Rc 1"	25	113	19	Rc 1"	2,20	350	29018	46686	
	BKHP500-DN25-Rc 1"	25	131	19	Rc 1"	3,94	500	59588	59589	
BKH-DN25/32-Rc 1 1/4"	25	120	21,4	Rc 1 1/4"	2,30	350	29019	59590		
ISO 8434-3 ORFS MALE THREAD	Type	LW	L	D	d	O-ring**	Weight [Kg]	PN [bar]	442A	4428
	BKH-DN6					on request				
	BKH-DN8-11/16"UN ISO8434-3	6,5	73	12,6	11/16"-16 UN	9,25 x 1,78	0,40	500	on request	on request
	BKH-DN10-13/16"UN ISO8434-3	9,5	80	15,77	13/16"-16 UN	12,42 x 1,78	0,50	500	on request	on request
	BKH-DN13-1"UNS ISO8434-3	12,5	90	19	1-14" UNS	15,6 x 1,78	0,60	500	on request	on request
	BKH-DN16-1 3/16"UN ISO8434-3	15	98	22,17	1 3/16"-12 UN	18,77 x 1,78	0,80	400	on request	on request
	BKH-DN20-1 7/16"UN ISO8434-3	20	111	26,87	1 7/16"-12 UN	23,52 x 1,78	1,60	350	on request	on request
BKH-DN25-1 11/16"UN ISO8434-3	25	120	33,25	1 11/16"-12 UN	29,87 x 1,78	2,10	250	on request	on request	

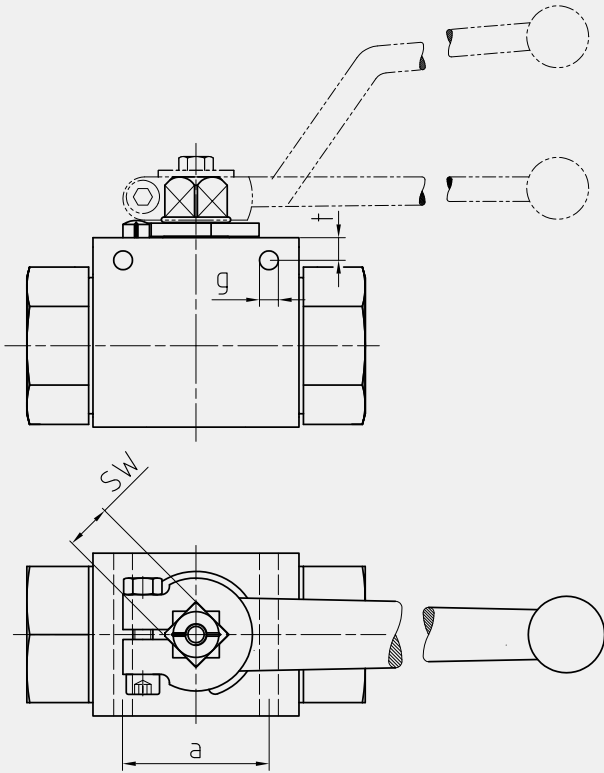
Please note the pressure ratings of the tube connections!
**O-ring included

*Article usually in stock.

2-way ball valve Stainless Steel

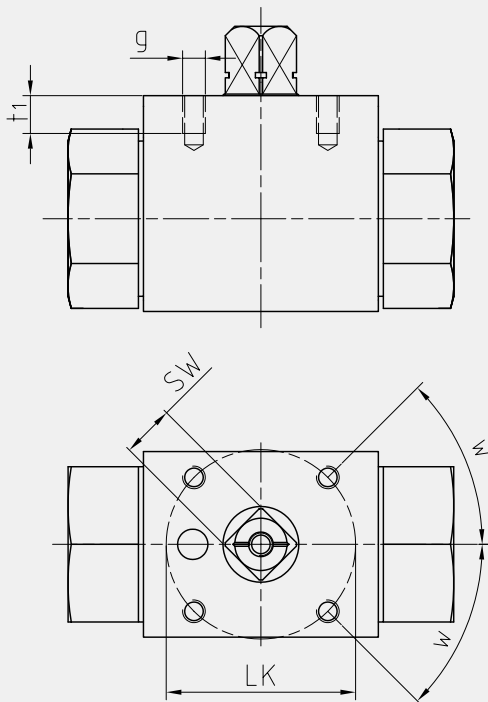
BKH / BKHP500

Two-way



ASSEMBLING HOLES

DN	SW	a	g	t
4	9	31	4,3	4,5
6	9	31	4,3	4,5
10	9	32	4,3	4
13	9	32	4,3	4
16	12	32	5,2	6
20	14	44	6,2	6
25	14	44	6,3	6
25	14	44	6,3	6
25/32	14	44	6,3	6
25/40	14	44	6,3	6



ASSEMBLING THREADS AS PER ISO 5211

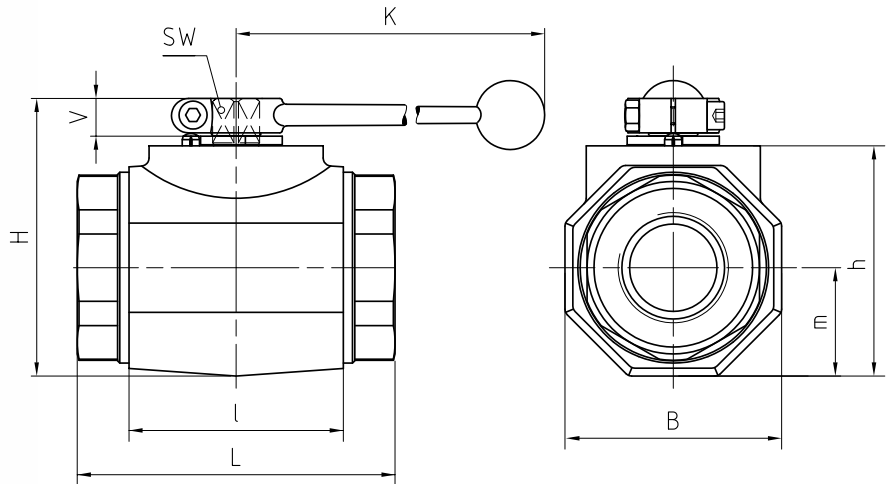
DN	SW	LK	g	t ₁	w	ISO 5211
4	9	36	M5	6	30°*	(F03)*
6	9	36	M5	6	30°*	(F03)*
10	9	36	M5	7	45°	F03
13	9	36	M5	6	45°	F03
16	12	42	M5	8	45°	F04
20	14	50	M6	10	45°	F05
25	14	50	M6	10	45°	F05
25	14	50	M6	10	45°	F05
25/32	14	50	M6	10	45°	F05
25/40	14	50	M6	10	45°	F05

*30° does not correspond to ISO 5211

2-way ball valve Steel

MKHP420

Two-way



AVAILABLE SIZES

DN32 - DN50 (1 1/4" to 2")

CONNECTIONS

DIN ISO 228 Female thread, ANSI B1.20.1 NPT Female thread, DIN 2353/ISO 8434-1 Light / Heavy series, SAE J 514/ISO/DIS11926-1 Female thread, others on request

ACCESSORIES ON REQUEST

- Locking devices page 230 - 233
- Actuators 228 - 229
- Mounting holes 26
- Position switches 236 - 237
- Combinations 196 - 197
- Detent on request

MATERIAL CODE DESCRIPTION

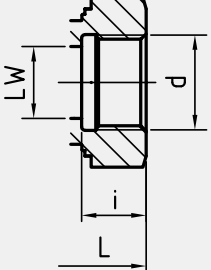
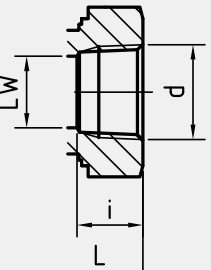
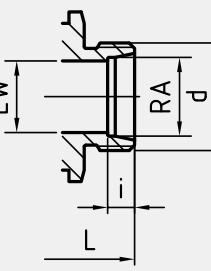
Materials	112A	1128
Body	Steel	Steel
Ball	Steel	Steel
Stem	Steel	Steel
Ball seats	POM	POM
O-rings	NBR	FPM
Tmin /Tmax	-20°C / 100°C	-20°C / 100°C

GENERAL DIMENSIONS

Type	l	B 8Kt	H	h	m	V	SW	K	Lever
MKHP420-DN32	80	81	107	86	40,5	16,5	17	320	Al
MKHP420-DN40	85	100	124	103	50	16,5	17	320	Al
MKHP420-DN50	100	118	138	117	59	16,5	17	320	Al

2-way ball valve Steel

MKHP420

CONNECTION TYPE	DIMENSIONS						ORDER CODE PER MATERIAL COMBINATION			
DIN ISO 228 FEMALE THREAD	Type	LW	L	i	d	Weight [Kg]	PN [bar]	112A	1128	
	MKHP420-DN32-G1 1/4	32	111	22	G1 1/4	3,47	420	43548*	43551*	
	MKHP420-DN40-G1 1/2	38	130	24	G1 1/2	5,67	420	43549*	43552*	
	MKHP420-DN50-G2	48	140	26	G2	8,14	420	43550*	43553*	
ANSI B1.20.1 NPT FEMALE THREAD	Type	LW	L	i	d	Weight [Kg]	PN [bar]	112A	1128	
	MKHP420-DN32-1 1/4"NPT	32	120	22,1	1 1/4"NPT	3,52	420	43677*	43680*	
	MKHP420-DN40-1 1/2"NPT	38	130	22,1	1 1/2"NPT	5,69	420	43678*	43681*	
	MKHP420-DN50-2"NPT	48	140	30,3	2"NPT	8,14	420	43679*	43682*	
DIN 2353 / ISO 8434-1 LIGHT SERIES	Type	LW	RA	L	i	d	Weight [Kg]	PN [bar]	112A	1128
	MKHP420-DN32-35L	32	35	136	10,5	M 45x2	3,58	420	43683*	43685*
	MKHP420-DN40-42L	38	42	147	11	M 52x2	5,54	420	43684*	43686*

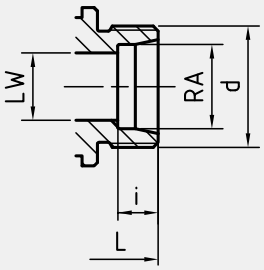
Please note the pressure ratings of the tube connections!

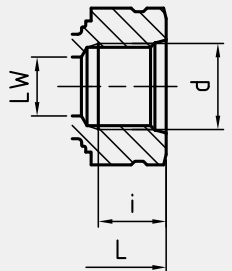
*Article usually in stock.

2-way ball valve Steel

MKHP420

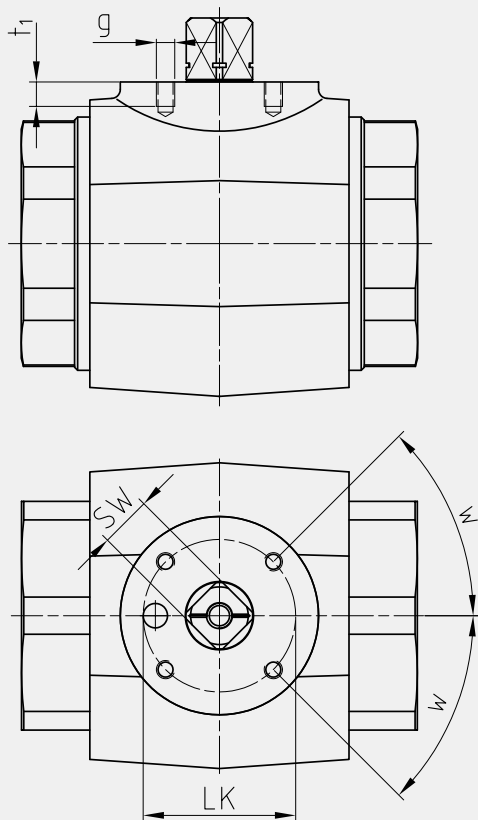
Two-way

CONNECTION TYPE	DIMENSIONS							ORDER CODE PER MATERIAL COMBINATION		
DIN 2353 / ISO 8434-1 HEAVY SERIES	Type	LW	RA	L	i	d	Weight [Kg]	PN [bar]	112A	1128
	MKHP420-DN32-38S	32	38	148	16	M 52x2	3,77	420	43687*	43688*

CONNECTION TYPE	DIMENSIONS						ORDER CODE PER MATERIAL COMBINATION		
SAE J514/ISO/DIS11926-1 FEMALE THREAD	Type	LW	L	i	d	Weight [Kg]	PN [bar]	112A	1128
	MKHP420-DN32-1 5/8" UN	30	111	20	1 5/8" -12 UN	3,52	420	43689*	43692*
	MKHP420-DN40-1 7/8" UN	38	130	20	1 7/8" -12 UN	5,69	420	43690*	43693*
	MKHP420-DN50-2 1/2" UN	45	140	20	2 1/2" -12 UN	7,99	420	43691*	43694*

Please note the pressure ratings of the tube connections!

*Article usually in stock.



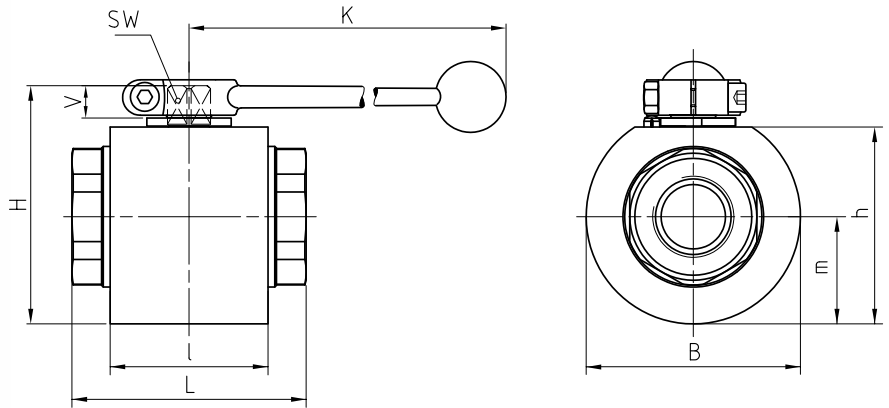
ASSEMBLING THREADS AS PER ISO 5211

DN	SW	LK	g	t ₁	w	ISO5211
32	17	50	M6	8	45°	F05
40	17	50	M6	8	45°	F05
50	17	50	M6	8	45°	F05

2-way ball valve Stainless Steel

MKHP420

Two-way



AVAILABLE SIZES

DN32 - DN50 (1 1/4" to 2")

CONNECTIONS

DIN ISO 228 Female thread, ANSI B1.20.1 NPT Female thread, DIN 2353/ISO 8434-1 Light / Heavy series, SAE J 514/ISO/DIS11926-1 Female thread, others on request

ACCESSORIES ON REQUEST

- Locking devices page 230 - 233
- Actuators 228 - 229
- Mounting holes 30
- Position switches 236 - 237
- Combinations on request
- Detent on request

MATERIAL CODE DESCRIPTION

Materials	442A	4428
Body	Stainless Steel	Stainless Steel
Ball	Stainless Steel	Stainless Steel
Stem	Stainless Steel	Stainless Steel
Ball seats	POM	POM
O-rings	NBR	FPM
Tmin /Tmax	-30°C / 100°C	-20°C / 100°C

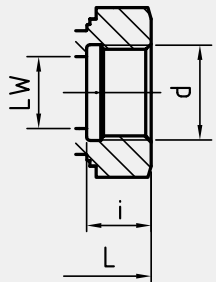
GENERAL DIMENSIONS

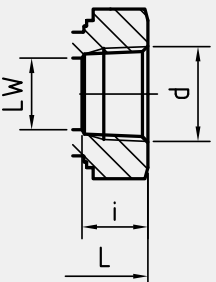
Type	l	B	H	h	m	V	SW	K	Lever
MKHP420-DN32	80	109	121	100	54,5	16,5	17	320	Al
MKHP420-DN40	85	124	136	115	62	16,5	17	320	Al
MKHP420-DN50	101	132	145	124	66	16,5	17	320	Al

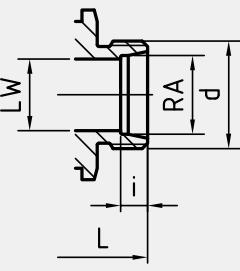
2-way ball valve Stainless Steel

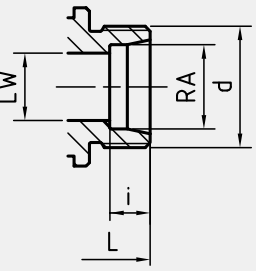
MKHP420

Two-way

CONNECTION TYPE	DIMENSIONS						ORDER CODE PER MATERIAL COMBINATION		
DIN ISO 228 FEMALE THREAD	Type	LW	L	i	d	Weight [Kg]	PN [bar]	442A	4428
	MKHP420-DN32-G1 1/4	32	111	22	G1 1/4	5,67	420	50006*	49265*
	MKHP420-DN40-G1 1/2	38	130	24	G1 1/2	8,16	420	49271*	49102*
	MKHP420-DN50-G2	48	140	26	G2	10,45	420	49764*	51637*

ANSI B1.20.1 NPT FEMALE THREAD	Type	LW	L	i	d	Weight [Kg]	PN [bar]	442A	4428
	MKHP420-DN32-1 1/4"NPT	32	120	22,1	1 1/4"NPT	5,72	420	48751*	53257*
	MKHP420-DN40-1 1/2"NPT	38	130	22,1	1 1/2"NPT	8,16	420	53256*	53258*
	MKHP420-DN50-2"NPT	48	140	30,3	2"NPT	10,37	420	51994*	53259*

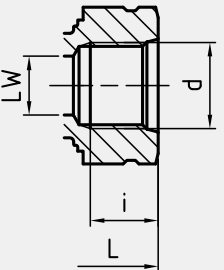
DIN 2353 / ISO 8434-1 LIGHT SERIES	Type	LW	RA	L	i	d	Weight [Kg]	PN [bar]	442A	4428
	MKHP420-DN32-35L	32	35	136	10,5	M 45x2	5,78	420	53260*	53261*
	MKHP420-DN40-42L	38	42	147	11	M 52x2	8,35	420	48766*	49335*

DIN 2353 / ISO 8434-1 HEAVY SERIES	Type	LW	RA	L	i	d	Weight [Kg]	PN [bar]	442A	4428
	MKHP420-DN32-38S	32	38	148	16	M 52x2	5,97	420	51699*	53262*

2-way ball valve Stainless Steel

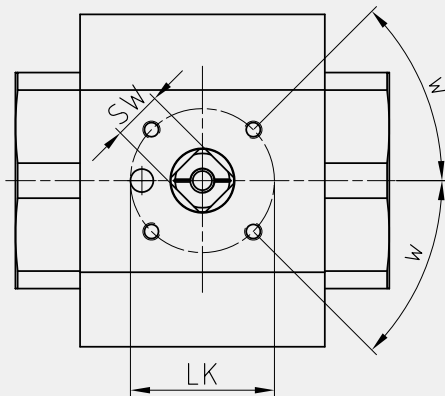
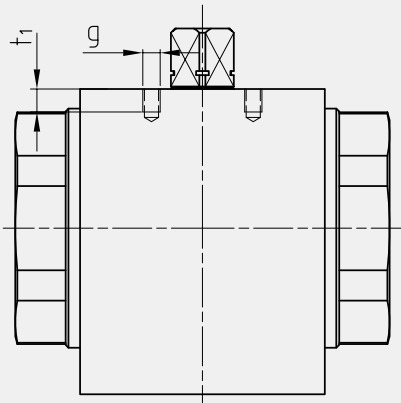
MKHP420

Two-way

CONNECTION TYPE	DIMENSIONS						ORDER CODE PER MATERIAL COMBINATION		
SAE J514/ISO/DIS11926-1 FEMALE THREAD	Type	LW	L	i	d	Weight [Kg]	PN [bar]	442A	4428
	MKHP420-DN32-1 5/8" UN	30	111	20	1 5/8"-12 UN	5,72	420	37187*	53263*
	MKHP420-DN40-1 7/8" UN	38	130	20	1 7/8"-12 UN	8,16	420	37188*	37191*
	MKHP420-DN50-2 1/2" UN	45	140	20	2 1/2"-12 UN	9,47	420	53264*	37192*

Please note the pressure ratings of the tube connections!

*Article usually in stock.



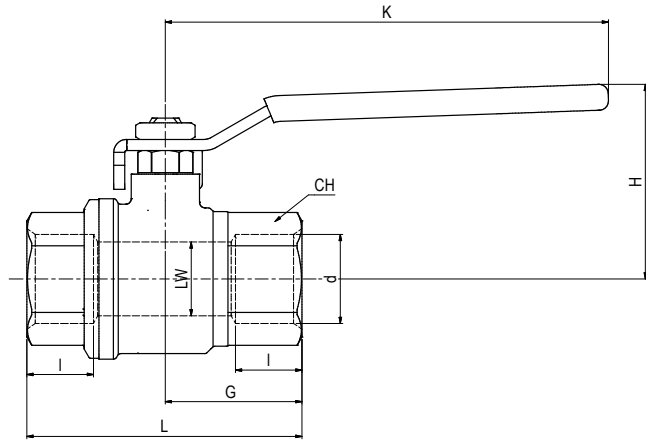
ASSEMBLING THREADS AS PER ISO 5211

DN	SW	LK	g	t ₁	w	ISO5211
32	17	50	M6	8	45°	F05
40	17	50	M6	8	45°	F05
50	17	50	M6	8	45°	F05

2-way low-pressure ball valve Brass

NKH

Two-way



AVAILABLE SIZES

DN8 - DN100 (3/8" to 4")

MATERIAL CODE DESCRIPTION

Materials	5574
Body	Brass
Ball	Brass
Stem	Brass
Ball seats	PTFE
O-rings	PTFE
Tmin /Tmax	-40°C / 170°C

ACCESSORIES ON REQUEST

- Butterfly handle on request
- Round handle on request

CONNECTIONS

DIN ISO 228 Female thread

GENERAL DIMENSIONS

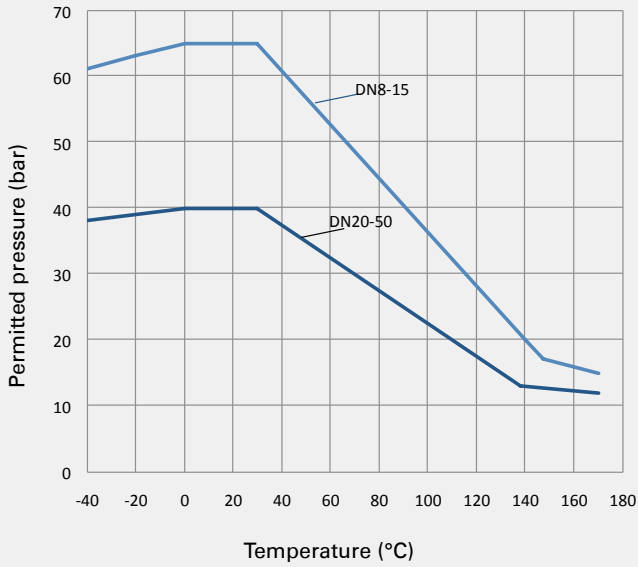
Type	LW	I	L	G	K	H	CH	Lever	Weight [Kg]
NKH-DN8/6	8	12,5	51	25,5	82	39,5	22	St	0,19
NKH-DN10	10	12,5	51	25,5	82	39,5	22	St	0,19
NKH-DN15	15	15,5	61	30,5	100	43	27	St	0,27
NKH-DN20	20	18	74,5	37	120	52,5	32	St	0,44
NKH-DN25	25	21	90,5	45,5	120	57	41	St	0,79
NKH-DN32	32	23	104	52	158	78	50	St	1,11
NKH-DN40	40	24,5	117	59	158	85	55	St	1,53
NKH-DN50	50	26,5	135	67,5	158	92	70	St	2,48
NKH-DN65	65	22	136	68	255	132	85	St	4,44
NKH-DN80	80	25	157	78,5	255	140	99	St	5,84
NKH-DN100	100	29	191	95,5	255	154	125	St	9,10

ORDER CODE PER MATERIAL COMBINATION

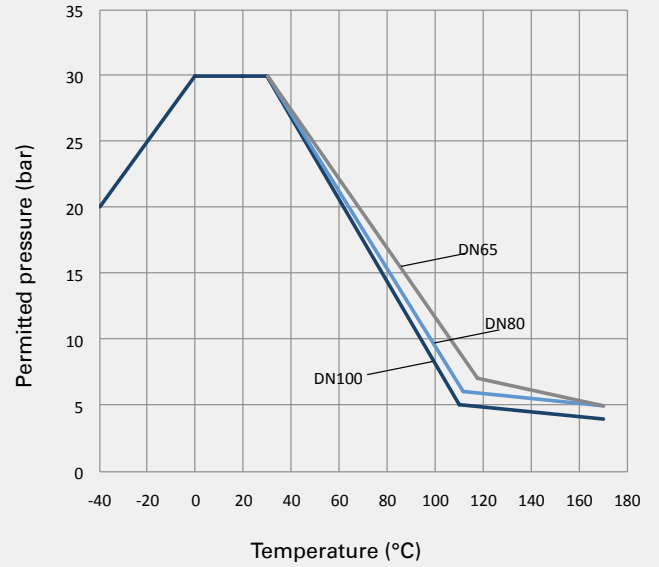
Type	d	PN [bar]	5574
NKH-DN8/6-G1/4	G1/4	65	58712
NKH-DN10-G3/8	G3/8	65	58713
NKH-DN15-G1/2	G1/2	65	58714
NKH-DN20-G3/4	G3/4	40	58715
NKH-DN25-G1	G1	40	58716
NKH-DN32-G1 1/4	G1 1/4	40	58717
NKH-DN40-G1 1/2	G1 1/2	40	58718
NKH-DN50-G2	G2	40	58719
NKH-DN65-G2 1/2	G2 1/2	30	58720
NKH-DN80-G3	G3	30	58721
NKH-DN100-G4	G4	30	58722

PRESSURE/TEMPERATURE RELATION

Pressure/Temperature curve
NKH DN8-50



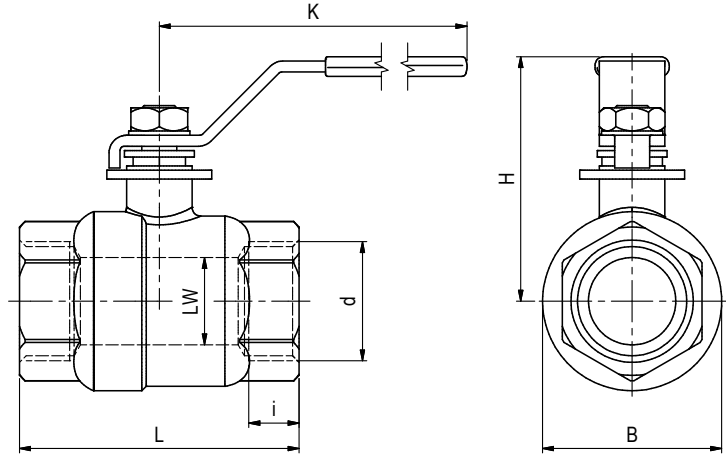
Pressure/Temperature curve
NKH DN65-100



2-way low-pressure ball valve Stainless Steel

NKH

Two-way



AVAILABLE SIZES

DN6 - DN100 (1/4" to 4")

MATERIAL CODE DESCRIPTION

Materials	4474
Body	CF8M (Stainless Steel)
Ball	Stainless Steel
Stem	Stainless Steel
Ball seats	PTFE
O-rings	PTFE
Tmin /Tmax	-30°C / 200°C

ACCESSORIES ON REQUEST

• Locking Device included

CONNECTIONS

DIN ISO 228 Female thread

GENERAL DIMENSIONS

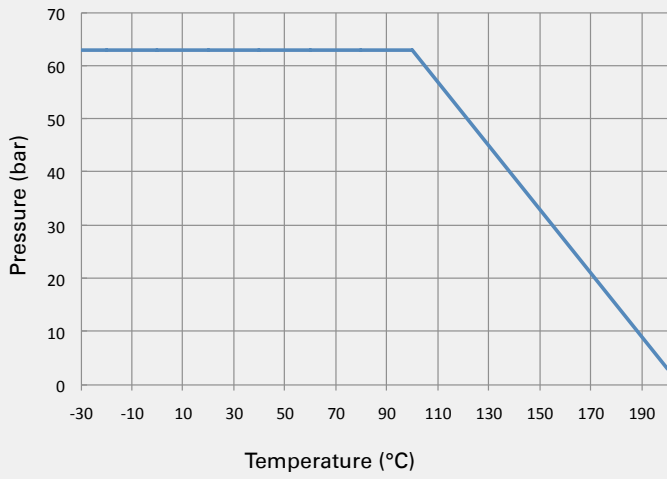
Type	LW	L	B	h	K	i	Lever	Weight [Kg]
NKH-DN8/6	10	50	29	45	100	12	SS	0,21
NKH-DN13/10	12,5	50	29	45	100	11	SS	0,21
NKH-DN15	15	59	34	50	100	13	SS	0,28
NKH-DN20	20	69	40,5	52	103	15,5	SS	0,40
NKH-DN25	25	79	49,2	70	150	15,5	SS	0,72
NKH-DN32	32	94	60,5	75	150	19,5	SS	1,57
NKH-DN40	38	103	71,3	85	183	21	SS	2,15
NKH-DN50	50	123	90,2	94	183	23	SS	2,78
NKH-DN65	65	160	116,5	135	243	29	SS	5,80
NKH-DN80	80	180	138	145	243	29	SS	8,80
NKH-DN100	100	230	170,5	165	328	29	SS	17,20

ORDER CODE PER MATERIAL COMBINATION

Type	PN [bar]	4474
NKH-DN8/6-G1/4	63	58723
NKH-DN13/10-G3/8	63	58724
NKH-DN15-G1/2	63	58725
NKH-DN20-G3/4	63	58726
NKH-DN25-G1	63	58727
NKH-DN32-G1 1/4	63	58728
NKH-DN40-G1 1/2	63	58729
NKH-DN50-G2	63	58730
NKH-DN65-G2 1/2	63	58731
NKH-DN80-G3	63	58732
NKH-DN100-G4	63	58733

PRESSURE/TEMPERATURE RELATION

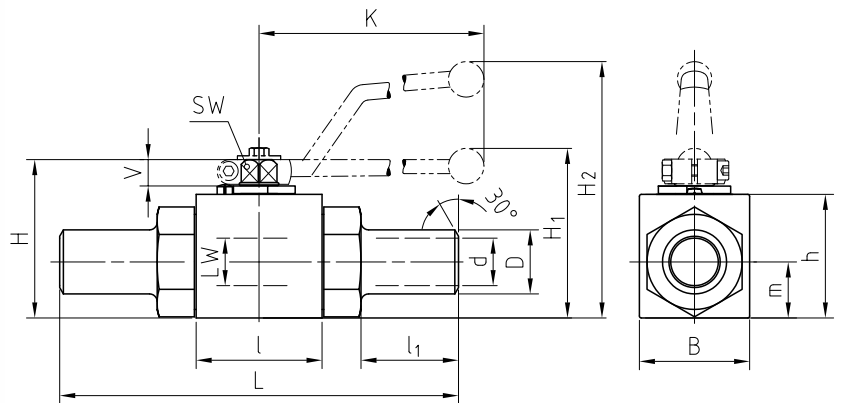
Pressure/Temperature curve
NKH Stainless Steel



Ball valve with welding ends Steel / Stainless Steel

BKH-AS

Two-way



AVAILABLE SIZES

DN10 - DN25 (3/8" to 1")

CONNECTIONS

AS160; other pipe dimensions and higher pressure ratings on request.

ACCESSORIES ON REQUEST

- Locking devices page 230 - 233
- Actuators 228 - 229
- Mounting holes 19
- Position switches 236 - 237
- Combinations 192 - 194
- Detent on request

MATERIAL CODE DESCRIPTION

Materials	112A	1128	442A	4428
Body	Steel	Steel	Stainless Steel	Stainless Steel
Ball	Steel	Steel	Stainless Steel	Stainless Steel
Stem	Steel	Steel	Stainless Steel	Stainless Steel
Ball seats	POM	POM	POM	POM
O-rings	NBR	FPM	NBR	FPM
Tmin /Tmax	-20°C / 100°C	-20°C / 100°C	-30°C / 100°C	-20°C / 100°C

GENERAL DIMENSIONS

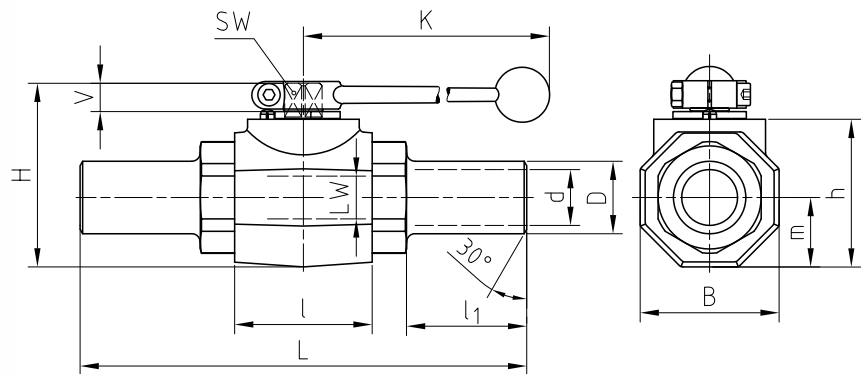
Type	LW	L	I	B	H	h	m	V	SW	K	d	D	l ₁	H ₁	H ₂	Lever	Weight [Kg]
BKH-DN10	10	150	43	32	52	38	17,5	11	9	115	10	17,2	42	-	86	Zn	0,64
BKH-DN13	13	181	48	35	54	40	19	11	9	115	13	21,3	51	-	89	Zn	0,82
BKH-DN16	15	180	48	38	63	46	19	13	12	160	15	21,3	55	-	106	Al	0,84
BKH-DN20	20	200	62	49	75	57	24,5	14	14	200	20	26,9	48,5	79	-	Zn	1,85
BKH-DN20/25	20	200	62	49	75	57	24,5	14	14	200	25	33,7	48,5	79	-	Zn	1,95
BKH-DN25	25	210	66	58	83	65	29,5	14	14	200	25	33,7	51,25	87	-	Zn	2,60
BKH-DN25/32	25	210	66	58	83	65	29,5	14	14	200	32	42,4	51,25	87	-	Zn	2,80
BKH-DN25/40	25	248	66	58	83	65	29,5	14	14	200	39,3	48,3	70	87	-	Zn	4,25

ORDER CODE PER MATERIAL COMBINATION

Type	PN	112A	1128	442A	4428	Type	PN	112A	1128	442A	4428
BKH-DN10-AS160	160	02389	38398	38414	38415	BKH-DN20/25-AS160	160	02686	38401	38421	38422
BKH-DN13-AS160	160	02390	02802	38416	38417	BKH-DN25-AS160	160	02685	20910	33263	38423
BKH-DN16-AS160	160	20442	38399	29230	38418	BKH-DN25/32-AS160	160	38402	38403	38424	38425
BKH-DN20-AS160	160	02684	38400	38419	38420	BKH-DN25/40-AS160	160	38404	38405	38426	38427

Ball valve with welding ends Steel

MKHP-AS



Two-way

AVAILABLE SIZES

DN32 - DN50 (1 1/4" to 2")

CONNECTIONS

AS160; other pipe dimensions and higher pressure ratings on request. PN max 420 bar.

ACCESSORIES ON REQUEST

- Locking devices page 230 - 233
- Actuators 228 - 229
- Mounting holes 26
- Position switches 236 - 237
- Combinations 196 - 197
- Detent on request

MATERIAL CODE DESCRIPTION

Materials	112A	1128
Body	Steel	Steel
Ball	Steel	Steel
Stem	Steel	Steel
Ball seats	POM	POM
O-rings	NBR	FPM
Tmin /Tmax	-20°C / 100°C	-20°C / 100°C

GENERAL DIMENSIONS

Type	LW	L	I	B 8Kt	H	h	m	V	SW	K	d	D	l ₁	Lever	Weight [Kg]
MKHP-DN32	32	260	80	81	107	86	40,5	16,5	17	320	32,5	42,2	70	Al	4,22
MKHP-DN32/40	32	260	80	81	107	86	40,5	16,5	17	320	38	51	70	Al	4,42
MKHP-DN40	38	270	85	100	124	103	50	16,5	17	320	39,3	48,3	72	Al	6,29
MKHP-DN40/50	38	270	85	100	124	103	50	16,5	17	320	50	60,3	72	Al	6,59
MKHP-DN50	48	300	100	118	138	117	59	16,5	17	320	50	60,3	72	Al	10,89
MKHP-DN50/65	48	300	100	118	138	117	59	16,5	17	320	63	76,1	72	Al	11,00

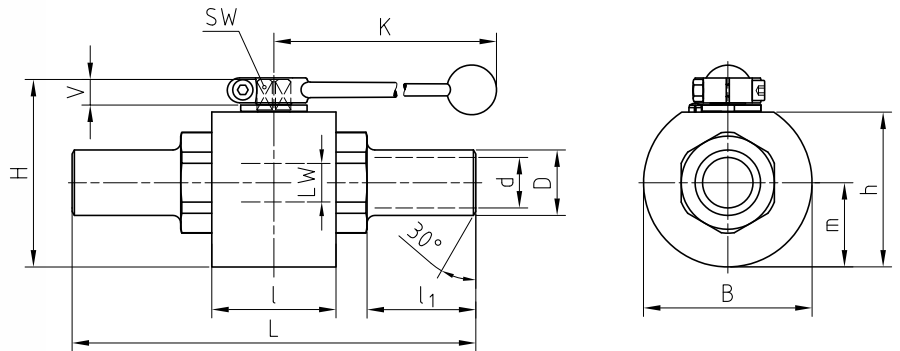
ORDER CODE PER MATERIAL COMBINATION

Type	PN	112A	1128
MKHP-DN32-AS160	160	02524	34168
MKHP-DN32/40-AS160	160	02525	38433
MKHP-DN40-AS160	160	02528	24356
MKHP-DN40/50-AS160	160	02530	38429
MKHP-DN50-AS160	160	02531	29151
MKHP-DN50/65-AS160	160	02532	38439

Ball valve with welding ends Stainless Steel

MKHP-AS

Two-way



AVAILABLE SIZES

DN32 - DN50 (1 1/4" to 2")

CONNECTIONS

AS160; other pipe dimensions and higher pressure ratings on request. PN max 420 bar.

ACCESSORIES ON REQUEST

- Locking devices page 230 - 233
- Actuators 228 - 229
- Mounting holes 30
- Position switches 236 - 237
- Combinations on request
- Detent on request

MATERIAL CODE DESCRIPTION

Materials	442A	4428
Body	Stainless Steel	Stainless Steel
Ball	Stainless Steel	Stainless Steel
Stem	Stainless Steel	Stainless Steel
Ball seats	POM	POM
O-rings	NBR	FPM
Tmin /Tmax	-30°C / 100°C	-20°C / 100°C

GENERAL DIMENSIONS

Type	LW	L	l	B	H	h	m	V	SW	K	d	D	l ₁	Lever	Weight [Kg]
MKHP-DN32	32	260	80	109	121	100	54,5	16,5	17	320	32,5	42,2	70	AI	6,42
MKHP-DN32/40	32	260	80	109	121	100	54,5	16,5	17	320	38	51	70	AI	6,62
MKHP-DN40	38	270	85	124	136	115	62	16,5	17	320	39,3	48,3	72	AI	8,76
MKHP-DN40/50	38	270	85	124	136	115	62	16,5	17	320	50	60,3	72	AI	9,06
MKHP-DN50	48	300	101	132	145	124	66	16,5	17	320	50	60,3	72	AI	12,37
MKHP-DN50/65	48	300	101	132	145	124	66	16,5	17	320	63	76,1	72	AI	12,47

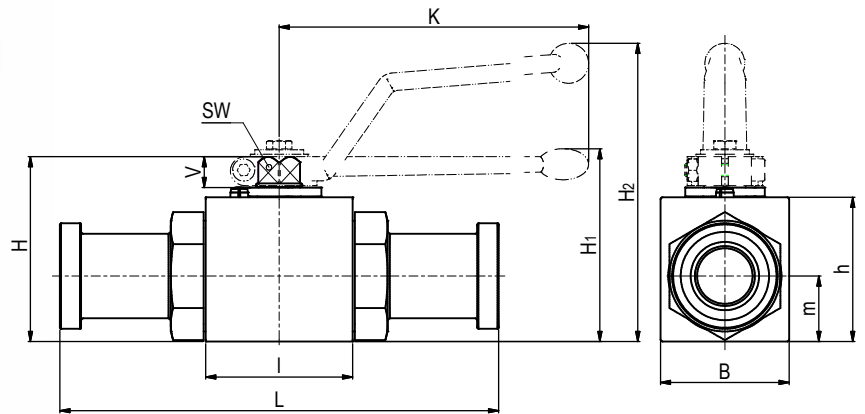
ORDER CODE PER MATERIAL COMBINATION

Type	PN	442A	4428
MKHP-DN32-AS160	160	38432	16056
MKHP-DN32/40-AS160	160	38434	38435
MKHP-DN40-AS160	160	38436	16058
MKHP-DN40/50-AS160	160	38430	38431
MKHP-DN50-AS160	160	33262	09549
MKHP-DN50/65-AS160	160	38437	38438

Ball valve with SAE split flange adapter Steel

BKH / BKHP-SAEFS

Two-way



AVAILABLE SIZES

DN13 - DN25 (1/2" to 1")

CONNECTIONS

ISO 6162-1, ISO 6162-2

ACCESSORIES ON REQUEST

- Locking devices page 230 - 233
- Actuators 228 - 229
- Mounting holes 19
- Position switches 236 - 237
- Combinations 192 - 194
- Detent on request

MATERIAL CODE DESCRIPTION

Materials	112A	1128
Body	Steel	Steel
Ball	Steel	Steel
Stem	Steel	Steel
Ball seats	POM	POM
O-rings	NBR	FPM
Tmin /Tmax	-20°C / 100°C	-20°C / 100°C

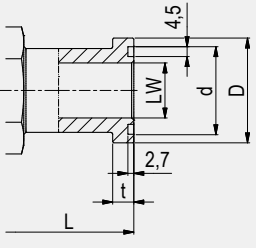
GENERAL DIMENSIONS

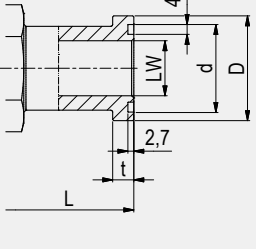
Type	L	B	H	h	m	V	SW	K	H ₁	H ₂	Lever
BKH-DN13	48	35	54	40	19	11	9	115	-	89	Zn
BKH-DN20	62	49	75	57	24,5	14	14	200	79	-	Zn
BKH-DN25	66	58	83	65	29,5	14	14	200	87	-	Zn
BKHP-DN25	74	70	88	70	34,5	14	14	200	92	-	Zn

Please note the pressure ratings of the connection flanges!

Ball valve with SAE split flange adapter Steel

BKH / BKHP-SAEFS

CONNECTION TYPE	DIMENSIONS							ORDER CODE PER MATERIAL COMBINATION		
	Type	LW	L	$d^{+0,1}$	$D_{-0,2}$	$t_{-0,2}$	Weight [Kg]	PN [bar]	112A	1128
	BKH-DN13-SAEFS210	13	151	25,5	30,2	6,8	0,85	350	30739	25937
	BKH-DN20-SAEFS210	19	162	31,9	38,1	6,8	1,87	350	20048	25938
	BKH-DN25-SAEFS210	25	178	39,8	44,4	8,1	2,70	320	30740	15737
	BKH-DN13-SAEFS210 Lu	13	170	25,5	30,2	6,8		350	40989	47995
	BKH-DN20-SAEFS210 Lu	19	200	31,9	38,1	6,8		350	40990	on request
	BKH-DN25-SAEFS210 Lu	25	215	39,8	44,4	8,1		320	40991	on request

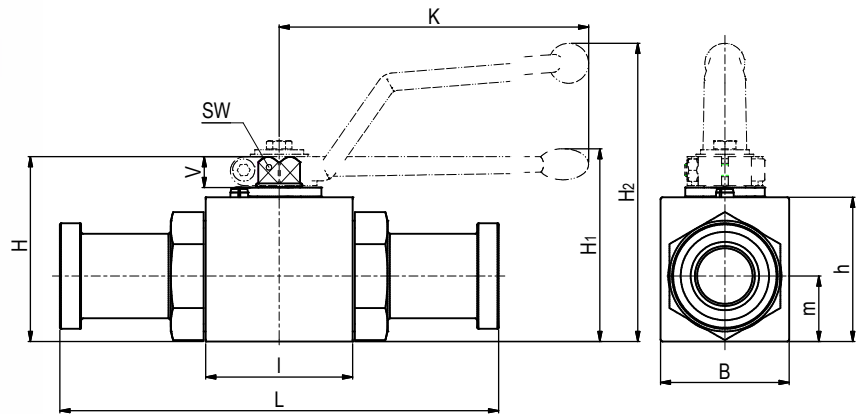
CONNECTION TYPE	DIMENSIONS							ORDER CODE PER MATERIAL COMBINATION		
	Type	LW	L	$d^{+0,1}$	$D_{-0,2}$	$t_{-0,2}$	Weight [Kg]	PN [bar]	112A	1128
	BKH-DN13-SAEFS420	13	151	25,5	31,8	7,9	0,90	420	24818	25693
	BKH-DN20-SAEFS420	19	174	31,9	41,3	8,9	1,99	420	24819	25939
	BKH-DN25-SAEFS420	25	198	39,8	47,6	9,6	3,00	350	09913	15722
	BKHP-DN25-SAEFS420	25	206	39,8	47,6	9,6	3,66	420	43630	44031
	BKH-DN13-SAEFS420 Lu	13	180	25,5	31,8	7,9		420	41505	45746
	BKH-DN20-SAEFS420 Lu	19	200	31,9	41,3	8,9		420	41502	on request
	BKH-DN25-SAEFS420 Lu	25	250	39,8	47,6	9,6		350	41503	on request
	BKHP-DN25-SAEFS420 Lu	25	258	39,8	47,6	9,6		420	on request	on request

Two-way

Ball valve with SAE split flange adapter Stainless Steel

BKH / BKHP-SAEFS

Two-way



AVAILABLE SIZES

DN13 - DN25 (1/2" to 1")

CONNECTIONS

ISO 6162-1, ISO 6162-2

ACCESSORIES ON REQUEST

- Locking devices page 230 - 233
- Actuators 228 - 229
- Mounting holes 19
- Position switches 236 - 237
- Combinations 192 - 194
- Detent on request

MATERIAL CODE DESCRIPTION

Materials	442A	4428
Body	Stainless Steel	Stainless Steel
Ball	Stainless Steel	Stainless Steel
Stem	Stainless Steel	Stainless Steel
Ball seats	POM	POM
O-rings	NBR	FPM
Tmin /Tmax	-30°C / 100°C	-20°C / 100°C

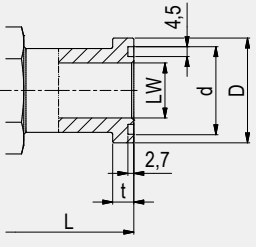
GENERAL DIMENSIONS

Type	L	B	H	h	m	V	SW	K	H ₁	H ₂	Lever
BKH-DN13	48	35	54	40	19	11	9	115	-	89	Zn
BKH-DN20	62	49	75	57	24,5	14	14	200	79	-	Zn
BKHP-DN20	82	58	83	65	32,5	14	14	200	87	-	Zn
BKH-DN25	66	58	83	65	29,5	14	14	200	87	-	Zn
BKHP-DN25	84	70	88	70	34,5	14	14	200	92	-	Zn

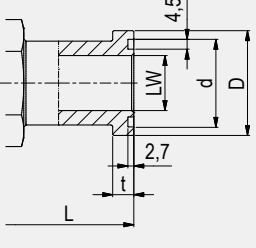
Please note the pressure ratings of the connection flanges!

Ball valve with SAE split flange adapter Stainless Steel

BKH / BKHP-SAEFS

CONNECTION TYPE	DIMENSIONS							ORDER CODE PER MATERIAL COMBINATION		
	Type	LW	L	$d^{+0,1}$	$D_{-0,2}$	$t_{-0,2}$	Weight [Kg]	PN [bar]	442A	4428
	BKH-DN13-SAEFS210	13	151	25,5	30,2	6,8	0,85	350	37611	37614
	BKH-DN20-SAEFS210	19	162	31,9	38,1	6,8	1,87	350	37612	37615
	BKHP-DN20-SAEFS210	19	182	31,9	38,1	6,8		350	on request	
	BKH-DN25-SAEFS210	25	178	39,8	44,4	8,1	2,70	320	37613	37616
	BKH-DN13-SAEFS210 Lu	13	170	25,5	30,2	6,8		350	on request	
	BKH-DN20-SAEFS210 Lu	19	200	31,9	38,1	6,8		350	on request	
	BKHP-DN20-SAEFS210 Lu	19	220	31,9	38,1	6,8		350	on request	
	BKH-DN25-SAEFS210 Lu	25	215	39,8	44,4	8,1		320	on request	

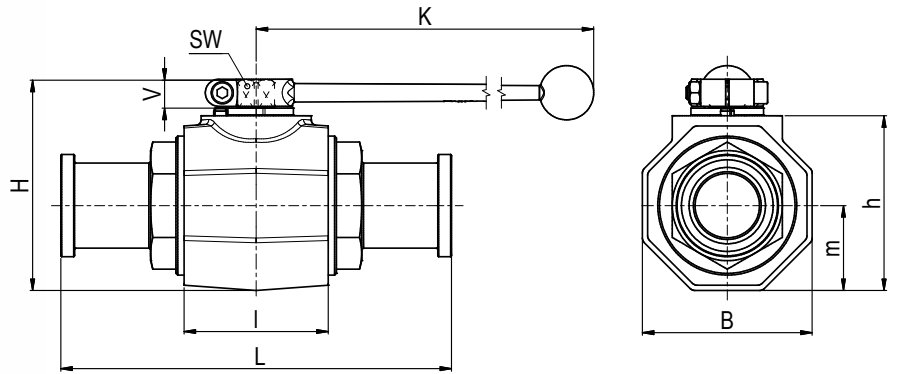
Two-way

CONNECTION TYPE	DIMENSIONS							ORDER CODE PER MATERIAL COMBINATION		
	Type	LW	L	$d^{+0,1}$	$D_{-0,2}$	$t_{-0,2}$	Weight [Kg]	PN [bar]	442A	4428
	BKH-DN13-SAEFS420	13	151	25,5	31,8	7,9	0,90	420	33255	37617
	BKH-DN20-SAEFS420	19	174	31,9	41,3	8,9	1,99	350	30510	37618
	BKHP-DN20-SAEFS420	19	194	31,9	41,3	8,9	2,85	420	53475	53476
	BKH-DN25-SAEFS420	25	198	39,8	47,6	9,6	3,00	350	31554	37619
	BKHP-DN25-SAEFS420	25	215	39,8	47,6	9,6	4,19	420	53477	53478
	BKH-DN13-SAEFS420 Lu	13	180	25,5	31,8	7,9		420	on request	
	BKH-DN20-SAEFS420 Lu	19	200	31,9	41,3	8,9		350	on request	
	BKHP-DN20-SAEFS420 Lu	19	220	31,9	41,3	8,9		420	on request	
	BKH-DN25-SAEFS420 Lu	25	250	39,8	47,6	9,6		350	on request	
	BKHP-DN25-SAEFS420 Lu	25	267	39,8	47,6	9,6		420	on request	

Ball valve with SAE-split flange adapter Steel

MKHP-SAEFS

Two-way



AVAILABLE SIZES

DN32 - DN50 (1 1/4" to 2")

CONNECTIONS

ISO 6162-1, ISO 6162-2

ACCESSORIES ON REQUEST

- Locking devices page 230 - 233
- Actuators 228 - 229
- Mounting holes 26
- Position switches 236 - 237
- Combinations 196 - 197
- Detent on request

MATERIAL CODE DESCRIPTION

Materials	112A	1128
Body	Steel	Steel
Ball	Steel	Steel
Stem	Steel	Steel
Ball seats	POM	POM
O-rings	NBR	FPM
Tmin /Tmax	-20°C / 100°C	-20°C / 100°C

GENERAL DIMENSIONS

Type	l	B 8Kt	H	h	m	V	SW	K	Lever
MKHP-DN32	80	81	107	86	40,5	16,5	17	320	Al
MKHP-DN40	85	100	124	103	50	16,5	17	320	Al
MKHP-DN50	100	118	138	117	59	16,5	17	320	Al

Please note the pressure ratings of the connection flanges!

Ball valve with SAE split flange adapter Steel

MKHP-SAEFS

CONNECTION TYPE	DIMENSIONS							ORDER CODE PER MATERIAL COMBINATION		
ISO 6162-1	Type	LW	L	$d^{+0,1}$	$D_{-0,2}$	$t_{-0,2}$	Weight [Kg]	PN [bar]	112A	1128
	MKHP-DN32-SAEFS210	30	191	44,6	50,8	8,1	4,22	280	43725	43728
	MKHP-DN40-SAEFS210	38	231	54,1	60,3	8,1	6,54	210	43726	43729
	MKHP-DN50-SAEFS210	48	232	63,6	71,4	9,6	9,29	210	43727	43730
	MKHP-DN32-SAEFS210 Lu	30	275	44,6	50,8	8,1		280	on request	
	MKHP-DN40-SAEFS210 Lu	38	321	54,1	60,3	8,1		210	on request	
	MKHP-DN50-SAEFS210 Lu	48	323	63,6	71,4	9,6		210	46082	on request

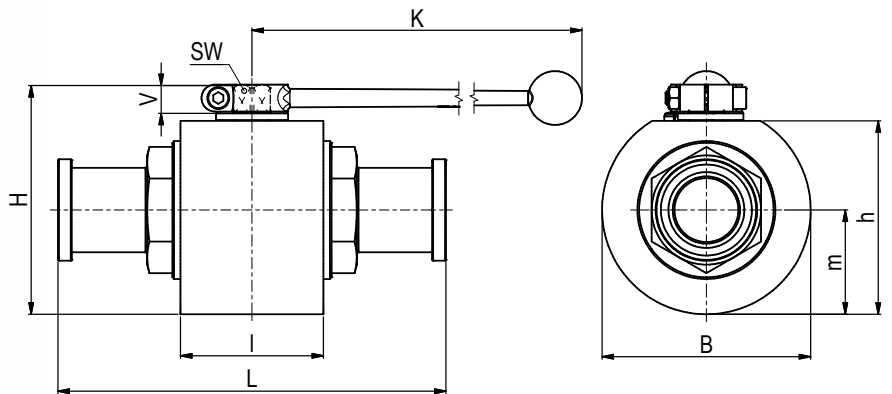
CONNECTION TYPE	DIMENSIONS							ORDER CODE PER MATERIAL COMBINATION		
ISO 6162-2	Type	LW	L	$d^{+0,1}$	$D_{-0,2}$	$t_{-0,2}$	Weight [Kg]	PN [bar]	112A	1128
	MKHP-DN32-SAEFS420	30	223	44,6	54	10,4	4,72	420	43731	43734
	MKHP-DN40-SAEFS420	38	281	54,1	63,5	12,7	7,49	420	43732	43735
	MKHP-DN50-SAEFS420	48	316	63,6	79,4	12,7	11,39	420	43733	43736
	MKHP-DN32-SAEFS420 Lu	30	322	44,6	54	10,4		420	46258	on request
	MKHP-DN40-SAEFS420 Lu	38	380	54,1	63,5	12,7		420	on request	
	MKHP-DN50-SAEFS420 Lu	48	385	63,6	79,4	12,7		420	41504	on request

Two-way

Ball valve with SAE split flange adapter Stainless Steel

MKHP-SAEFS

Two-way



AVAILABLE SIZES

DN32 - DN50 (1 1/4" to 2")

CONNECTIONS

ISO 6162-1, ISO 6162-2

ACCESSORIES ON REQUEST

- Locking devices page 230 - 233
- Actuators 228 - 229
- Mounting holes 30
- Position switches 236 - 237
- Combinations on request
- Detent on request

MATERIAL CODE DESCRIPTION

Materials	442A	4428
Body	Stainless Steel	Stainless Steel
Ball	Stainless Steel	Stainless Steel
Stem	Stainless Steel	Stainless Steel
Ball seats	POM	POM
O-rings	NBR	FPM
Tmin /Tmax	-30°C / 100°C	-20°C / 100°C

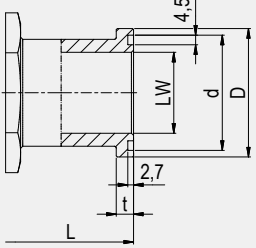
GENERAL DIMENSIONS

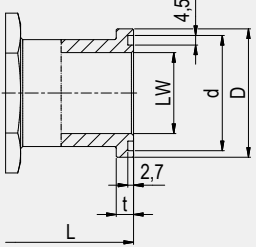
Type	l	B	H	h	m	V	SW	K	Lever
MKHP-DN32	80	109	121	100	54,5	16,5	17	320	Al
MKHP-DN40	85	124	136	115	62	16,5	17	320	Al
MKHP-DN50	101	132	145	124	66	16,5	17	320	Al

Please note the pressure ratings of the connection flanges!

Ball valve with SAE split flange adapter Stainless Steel

MKHP-SAEFS

CONNECTION TYPE	DIMENSIONS							ORDER CODE PER MATERIAL COMBINATION		
ISO 6162-1	Type	LW	L	$d^{+0,1}$	$D_{-0,2}$	$t_{-0,2}$	Weight [Kg]	PN [bar]	442A	4428
	MKHP-DN32-SAEFS210	30	191	44,6	50,8	8,1	6,73	280	49031	37622
	MKHP-DN40-SAEFS210	38	231	54,1	60,3	8,1	9,01	210	37620	37623
	MKHP-DN50-SAEFS210	48	232	63,6	71,4	9,6	11,80	210	37621	49750
	MKHP-DN32-SAEFS210 Lu	30	275	44,6	50,8	8,1		280	on request	
	MKHP-DN40-SAEFS210 Lu	38	321	54,1	60,3	8,1		210	on request	
	MKHP-DN50-SAEFS210 Lu	48	323	63,6	71,4	9,6		210	on request	

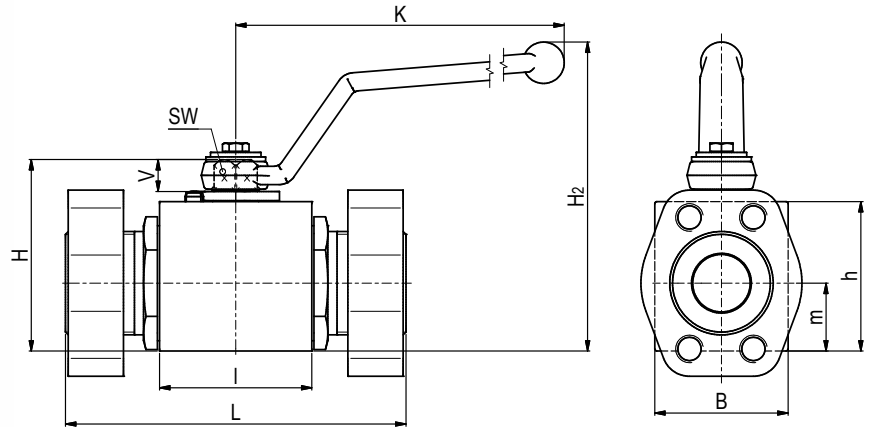
CONNECTION TYPE	DIMENSIONS							ORDER CODE PER MATERIAL COMBINATION		
ISO 6162-2	Type	LW	L	$d^{+0,1}$	$D_{-0,2}$	$t_{-0,2}$	Weight [Kg]	PN [bar]	442A	4428
	MKHP-DN32-SAEFS420	30	223	44,6	54	10,4	7,00	420	49032	37625
	MKHP-DN40-SAEFS420	38	281	54,1	63,5	12,7	9,96	420	50358	37626
	MKHP-DN50-SAEFS420	48	316	63,6	79,4	12,7	13,39	420	50357	51879
	MKHP-DN32-SAEFS420 Lu	30	322	44,6	54	10,4		420	on request	
	MKHP-DN40-SAEFS420 Lu	38	380	54,1	63,5	12,7		420	on request	
	MKHP-DN50-SAEFS420 Lu	48	385	63,6	79,4	12,7		420	on request	

Two-way

Ball valve with SAE adapter metric / UNC Steel

BKH / BKHP-SAE

Two-way



AVAILABLE SIZES

DN13 - DN25 (1/2" to 1")

CONNECTIONS

ISO 6162-1, ISO 6162-2

ACCESSORIES ON REQUEST

- Locking devices page 230 - 233
- Actuators 228 - 229
- Mounting holes 19
- Position switches 236 - 237
- Combinations 192 - 194
- Detent on request

MATERIAL CODE DESCRIPTION

Materials	112A	1128
Body	Steel	Steel
Ball	Steel	Steel
Stem	Steel	Steel
Ball seats	POM	POM
O-rings	NBR	FPM
Tmin /Tmax	-20°C / 100°C	-20°C / 100°C

GENERAL DIMENSIONS

Type	L	B	H	h	m	V	SW	K	H ₂	Lever
BKH-DN13	48	35	54	40	19	11	9	115	89	Zn
BKH-DN20	62	49	75	57	24,5	14	14	171	127	St
BKH-DN25	66	58	83	65	29,5	14	14	171	135	St
BKHP-DN25	74	70	88	70	34,5	14	14	171	140	St

Please note the pressure ratings of the connection flanges!

Ball valve with SAE adapter metric / UNC Steel

BKH / BKHP-SAE

CONNECTION TYPE	DIMENSIONS											ORDER CODE PER MATERIAL COMBINATION		
	Type	LW	L	B ₁	b ₁	t	a	b	M	Weight [Kg]	PN [bar]	112A	1128	
	BKH-DN13-SAE210	13	120	48	56	13	17,5	38,1	M8	1,50	350	32986	30024	
	BKH-DN20-SAE210	20	136	50	65	14	22,2	47,6	M10	3,00	350	30124	29967	
	BKH-DN25-SAE210	25	148	60	70	16	26,2	52,4	M10	4,50	320	23290	30025	
	BKH-DN13-SAE210	13	120	48	56	13	17,5	38,1	5/16" UNC	1,50	350	37789	37790	
	BKH-DN20-SAE210	20	136	50	65	14	22,2	47,6	3/8" UNC	3,00	350	37791	37792	
	BKH-DN25-SAE210	25	148	60	70	16	26,2	52,4	3/8" UNC	4,50	320	37793	37794	

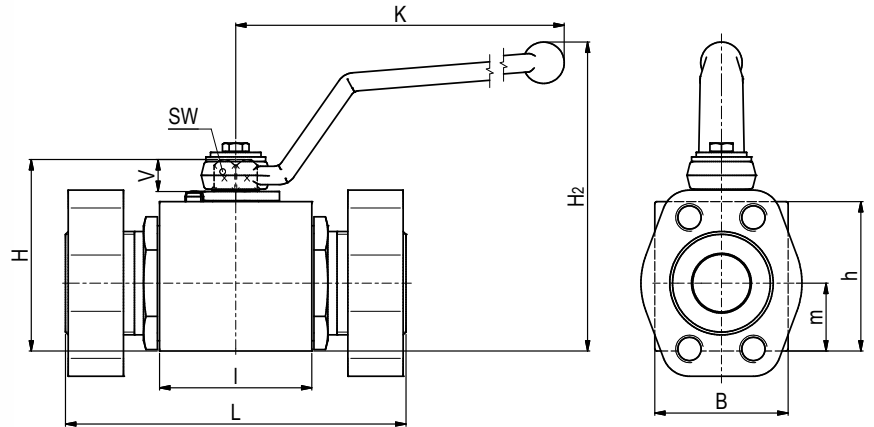
CONNECTION TYPE	DIMENSIONS											ORDER CODE PER MATERIAL COMBINATION		
	Type	LW	L	B ₁	b ₁	t	a	b	M	Weight [Kg]	PN [bar]	112A	1128	
	BKH-DN13-SAE420	13	120	48	56	16	18,2	40,5	M8	1,50	420	32988	37584	
	BKH-DN20-SAE420	20	136	60	71	19	23,8	50,8	M10	2,75	420	25407	37585	
	BKH-DN25-SAE420	25	148	70	81	24	27,8	57,2	M12	3,80	350	25408	37586	
	BKHP-DN25-SAE420	25	156	70	81	24	27,8	57,2	M12	4,50	420	49285	53456	
	BKH-DN13-SAE420	13	120	48	56	16	18,2	40,5	5/16" UNC	1,50	420	37795	37796	
	BKH-DN20-SAE420	20	136	60	71	19	23,8	50,8	3/8" UNC	2,75	420	37797	37798	
	BKH-DN25-SAE420	25	148	70	81	24	27,8	57,2	7/16" UNC	3,80	350	37799	37800	
	BKHP-DN25-SAE420	25	156	70	81	24	27,8	57,2	7/16" UNC	4,50	420	53457	53458	

Two-way

Ball valve with SAE adapter metric / UNC Stainless Steel

BKH / BKHP-SAE

Two-way



AVAILABLE SIZES

DN13 - DN25 (1/2" to 1")

CONNECTIONS

ISO 6162-1, ISO 6162-2

ACCESSORIES ON REQUEST

- Locking devices page 230 - 233
- Actuators 228 - 229
- Mounting holes 19
- Position switches 236 - 237
- Combinations 192 - 194
- Detent on request

MATERIAL CODE DESCRIPTION

Materials	442A	4428
Body	Stainless Steel	Stainless Steel
Ball	Stainless Steel	Stainless Steel
Stem	Stainless Steel	Stainless Steel
Ball seats	POM	POM
O-rings	NBR	FPM
Tmin /Tmax	-30°C / 100°C	-20°C / 100°C

GENERAL DIMENSIONS

Type	L	B	H	h	m	V	SW	K	H ₂	Lever
BKH-DN13	48	35	54	40	19	11	9	115	89	Zn
BKH-DN20	62	49	75	57	24,5	14	14	171	127	St
BKHP-DN20	82	58	83	65	32,5	14	14	171	135	St
BKH-DN25	66	58	83	65	29,5	14	14	171	135	St
BKHP-DN25	84	70	88	70	34,5	14	14	171	140	St

Please note the pressure ratings of the connection flanges!

Ball valve with SAE adapter metric / UNC Stainless Steel

BKH / BKHP-SAE

CONNECTION TYPE	DIMENSIONS										ORDER CODE PER MATERIAL COMBINATION		
	Type	LW	L	B ₁	b ₁	t	a	b	M	Weight [Kg]	PN [bar]	442A	4428
	BKH-DN13-SAE210	13	120	48	56	13	17,5	38,1	M8	1,50	350	37587	33949
	BKH-DN20-SAE210	20	136	50	65	14	22,2	47,6	M10	3,00	350	32339	37588
	BKH-DN25-SAE210	25	148	60	70	16	26,2	52,4	M10	4,50	320	32340	37589
	BKH-DN13-SAE210	13	120	48	56	13	17,5	38,1	5/16" UNC	1,50	350	37801	37802
	BKH-DN20-SAE210	20	136	50	65	14	22,2	47,6	3/8" UNC	3,00	350	37803	37804
	BKHP-DN20-SAE210	20	156	50	65	14	22,2	47,6	3/8" UNC	-	350	on request	
	BKH-DN25-SAE210	25	148	60	70	16	26,2	52,4	3/8" UNC	4,50	320	37805	37806

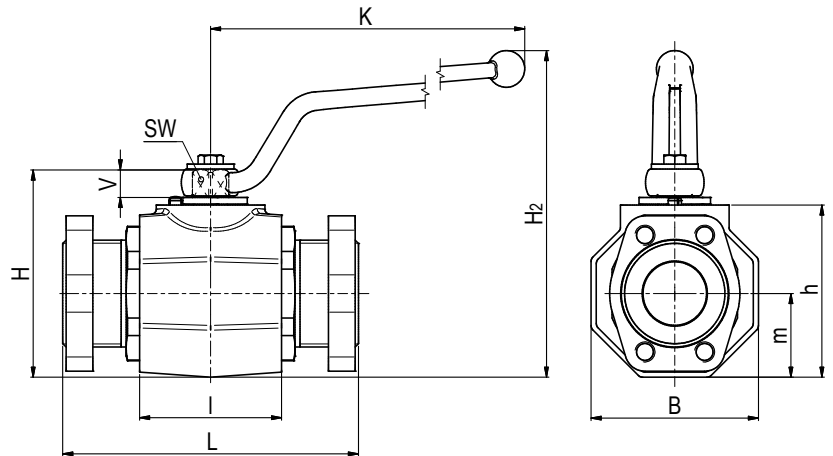
CONNECTION TYPE	DIMENSIONS										ORDER CODE PER MATERIAL COMBINATION		
	Type	LW	L	B ₁	b ₁	t	a	b	M	Weight [Kg]	PN [bar]	442A	4428
	BKH-DN13-SAE420	13	120	48	56	16	18,2	40,5	M8	1,50	420	37590	37591
	BKH-DN20-SAE420	20	136	60	71	19	23,8	50,8	M10	2,75	350	34367	33961
	BKHP-DN20-SAE420	20	156	60	71	19	23,8	50,8	M10	3,59	420	49048	53479
	BKH-DN25-SAE420	25	148	70	81	24	27,8	57,2	M12	3,80	350	35894	37592
	BKHP-DN25-SAE420	25	165	70	81	24	27,8	57,2	M12	5,03	420	49203	53480
	BKH-DN13-SAE420	13	120	48	56	16	18,2	40,5	5/16" UNC	1,50	420	37807	37808
	BKH-DN20-SAE420	20	136	60	71	19	23,8	50,8	3/8" UNC	2,75	350	37809	37810
	BKHP-DN20-SAE420	20	156	60	71	19	23,8	50,8	3/8" UNC	3,59	420	53481	53483
	BKH-DN25-SAE420	25	148	70	81	24	27,8	57,2	7/16" UNC	3,80	350	31772	37811
	BKHP-DN25-SAE420	25	165	70	81	24	27,8	57,2	7/16" UNC	5,03	420	53482	53484

Two-way

Ball valve with SAE adapter metric / UNC Steel

MKHP-SAE

Two-way



AVAILABLE SIZES

DN32 - DN50 (1 1/4" to 2")

CONNECTIONS

ISO 6162-1, ISO 6162-2

ACCESSORIES ON REQUEST

- Locking devices page 230 - 233
- Actuators 228 - 229
- Mounting holes 26
- Position switches 236 - 237
- Combinations 196 - 197
- Detent on request

MATERIAL CODE DESCRIPTION

Materials	112A	1128
Body	Steel	Steel
Ball	Steel	Steel
Stem	Steel	Steel
Ball seats	POM	POM
O-rings	NBR	FPM
Tmin /Tmax	-20°C / 100°C	-20°C / 100°C

GENERAL DIMENSIONS

Type	l	B 8Kt	H	h	m	V	SW	K	H ₂	Lever
MKHP-DN32	80	81	107	86	40,5	16,5	17	306	180	St
MKHP-DN40	85	100	124	103	50	16,5	17	306	197	St
MKHP-DN50	100	118	138	117	59	16,5	17	306	211	St
MKHP-DN50/65	100	118	138	117	59	16,5	17	306	211	St

Please note the pressure ratings of the connection flanges!

CONNECTION TYPE	DIMENSIONS											ORDER CODE PER MATERIAL COMBINATION		
ISO 6162-1	Type	LW	L	B ₁	b ₁	t	a	b	M	Weight [Kg]	PN [bar]	112A	1128	
	MKHP-DN32-SAE210	32	172	68	79	16	30,2	58,7	M12 ⁽¹⁾	7,52	280	45947	45949	
	MKHP-DN32-SAE210	32	172	68	79	16	30,2	58,7	M10	7,52	280	45948	41734	
	MKHP-DN40-SAE210	38	177	78	93	16	35,7	69,9	M12	11,09	210	45110	45950	
	MKHP-DN50-SAE210	48	196	90	102	16	42,9	77,8	M12	19,29	210	45309	45951	
	MKHP-DN50/65-SAE210	48	196	105	114	19	50,8	88,9	M12	19,29	175	45772	45952	
	MKHP-DN32-SAE210	32	172	68	79	16	30,2	58,7	7/16" UNC	7,52	280	38211	38214	
	MKHP-DN40-SAE210	38	177	78	93	16	35,7	69,9	1/2" UNC	11,09	210	38212	38215	
	MKHP-DN50-SAE210	48	196	90	102	16	42,9	77,8	1/2" UNC	19,29	210	46200	38216	
	MKHP-DN50/65-SAE210	48	196	105	114	19	50,8	88,9	1/2" UNC	19,29	175	38213	38217	

Two-way

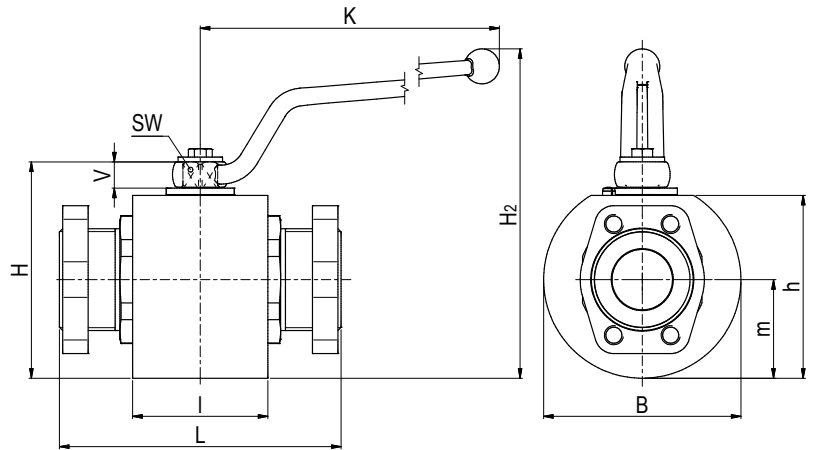
CONNECTION TYPE	DIMENSIONS											ORDER CODE PER MATERIAL COMBINATION		
ISO 6162-2	Type	LW	L	B ₁	b ₁	t	a	b	M	Weight [Kg]	PN [bar]	112A	1128	
	MKHP-DN32-SAE420	32	172	78	95	27	31,8	66,7	M14 ⁽¹⁾	7,52	420	45815	45953	
	MKHP-DN32-SAE420	32	172	78	95	27	31,8	66,7	M12	7,52	420	45535	41738	
	MKHP-DN40-SAE420	38	177	94	112	30	36,5	79,4	M16	11,09	420	45093	46198	
	MKHP-DN50-SAE420	48	196	114	134	35	44,5	96,8	M20	19,29	420	45323	46199	
	MKHP-DN32-SAE420	32	172	78	95	27	31,8	66,7	1/2" UNC	7,52	420	46201	38218	
	MKHP-DN40-SAE420	38	177	94	112	30	36,5	79,4	5/8" UNC	11,09	420	46202	38219	
	MKHP-DN50-SAE420	48	196	114	134	35	44,5	96,8	3/4" UNC	19,29	420	46203	38220	

⁽¹⁾ This thread is not to be used for new designs.

Ball valve with SAE adapter metric / UNC Stainless Steel

MKHP-SAE

Two-way



AVAILABLE SIZES

DN32 - DN50 (1 1/4" to 2")

CONNECTIONS

ISO 6162-1, ISO 6162-2

ACCESSORIES ON REQUEST

- Locking devices page 230 - 233
- Actuators 228 - 229
- Mounting holes 30
- Position switches 236 - 237
- Combinations on request
- Detent on request

MATERIAL CODE DESCRIPTION

Materials	442A	4428
Body	Stainless Steel	Stainless Steel
Ball	Stainless Steel	Stainless Steel
Stem	Stainless Steel	Stainless Steel
Ball seats	POM	POM
O-rings	NBR	FPM
Tmin /Tmax	-30°C / 100°C	-20°C / 100°C

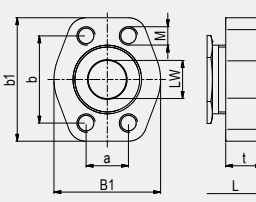
GENERAL DIMENSIONS

Type	l	B	H	h	m	V	SW	K	H ₂	Lever
MKHP-DN32	80	109	121	100	54,5	16,5	17	306	194	St
MKHP-DN40	85	124	136	115	62	16,5	17	306	209	St
MKHP-DN50	101	132	145	124	66	16,5	17	306	218	St
MKHP-DN50/65	101	132	145	124	66	16,5	17	306	218	St

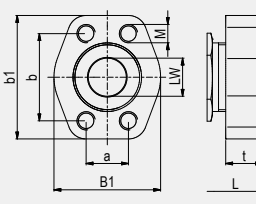
Please note the pressure ratings of the connection flanges!

Ball valve with SAE adapter metric / UNC Stainless Steel

MKHP-SAE

CONNECTION TYPE	DIMENSIONS										ORDER CODE PER MATERIAL COMBINATION		
	Type	LW	L	B ₁	b ₁	t	a	b	M	Weight [Kg]	PN [bar]	442A	4428
	MKHP-DN32-SAE210	32	172	68	79	16	30,2	58,7	M12 ⁽¹⁾	9,72	280	48988	37594
	MKHP-DN32-SAE210	32	172	68	79	16	30,2	58,7	M10	9,72	280	48483	48846
	MKHP-DN40-SAE210	38	177	78	93	16	35,7	69,9	M12	13,57	210	48812	48848
	MKHP-DN50-SAE210	48	196	90	102	16	42,9	77,8	M12	20,25	210	48843	48850
	MKHP-DN50/65-SAE210	48	196	105	114	19	50,8	88,9	M12	20,95	175	48845	48852
	MKHP-DN32-SAE210	32	172	68	79	16	30,2	58,7	7/16" UNC	9,72	280	48853	48855
	MKHP-DN40-SAE210	38	177	78	93	16	35,7	69,9	1/2" UNC	13,57	210	48857	48859
	MKHP-DN50-SAE210	48	196	90	102	16	42,9	77,8	1/2" UNC	20,25	210	48861	48864
	MKHP-DN50/65-SAE210	48	196	105	114	19	50,8	88,9	1/2" UNC	20,95	175	48862	48865

Two-way

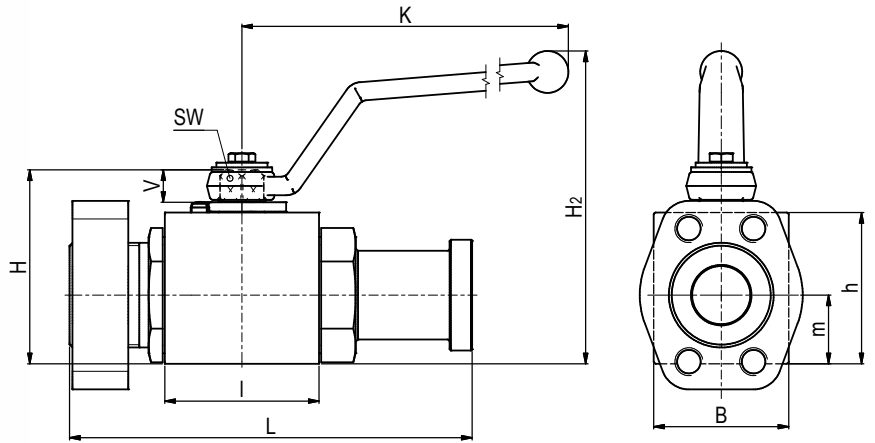
CONNECTION TYPE	DIMENSIONS										ORDER CODE PER MATERIAL COMBINATION		
	Type	LW	L	B ₁	b ₁	t	a	b	M	Weight [Kg]	PN [bar]	442A	4428
	MKHP-DN32-SAE420	32	172	78	95	27	31,8	66,7	M14 ⁽¹⁾	9,72	420	49050	37598
	MKHP-DN32-SAE420	32	172	78	95	27	31,8	66,7	M12	9,72	420	48842	48847
	MKHP-DN40-SAE420	38	177	94	112	30	36,5	79,4	M16	13,57	420	48772	48849
	MKHP-DN50-SAE420	48	196	114	134	35	44,5	96,8	M20	20,25	420	48844	48851
	MKHP-DN32-SAE420	32	172	78	95	27	31,8	66,7	1/2" UNC	9,72	420	48854	48856
	MKHP-DN40-SAE420	38	177	94	112	30	36,5	79,4	5/8" UNC	13,57	420	48858	48860
	MKHP-DN50-SAE420	48	196	114	134	35	44,5	96,8	3/4" UNC	20,25	420	48863	48866

⁽¹⁾ This thread is not to be used for new designs.

Ball valve with SAE adapter / split flange adapter Steel

BKH/BKHP-SAE/SAEFS

Two-way



AVAILABLE SIZES

DN13 - DN25 (1/2" to 1")

CONNECTIONS

ISO 6162-1, ISO 6162-2

ACCESSORIES ON REQUEST

- Locking devices page 230 - 233
- Actuators 228 - 229
- Mounting holes 19
- Position switches 236 - 237
- Combinations 192 - 194
- Detent on request

MATERIAL CODE DESCRIPTION

Materials	112A	1128
Body	Steel	Steel
Ball	Steel	Steel
Stem	Steel	Steel
Ball seats	POM	POM
O-rings	NBR	FPM
Tmin /Tmax	-20°C / 100°C	-20°C / 100°C

GENERAL DIMENSIONS

Type	l	B	H	h	m	V	SW	K	H ₂	Lever
BKH-DN13	48	35	54	40	19	11	9	115	89	Zn
BKH-DN20	62	49	75	57	24,5	14	14	171	127	St
BKH-DN25	66	58	83	65	29,5	14	14	171	135	St
BKHP-DN25	74	70	88	70	34,5	14	14	171	140	St

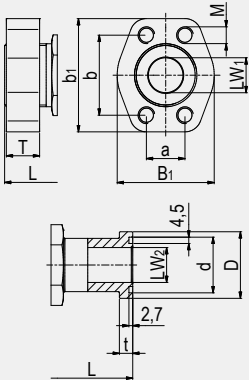
Please note the pressure ratings of the connection flanges!

Ball valve with SAE adapter / split flange adapter Steel

BKH/BKHP-SAE/SAEFS

CONNECTION TYPE

ISO 6162-1



DIMENSIONS

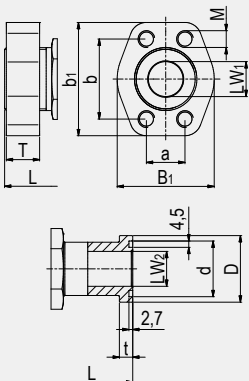
Type	LW ₁	LW ₂	L	B ₁	b ₁	T	a	b	M ⁽¹⁾	d	D	t	Weight [Kg]
BKH-DN13-SAE210/SAEFS210	13	13	136	48	56	13	17,5	38,1	M8	25,5	30,2	6,8	1,18
BKH-DN20-SAE210/SAEFS210	20	19	149	50	65	14	22,2	47,6	M10	31,9	38,1	6,8	2,15
BKH-DN25-SAE210/SAEFS210	25	25	163	60	70	16	26,2	52,4	M10	39,8	44,4	8,1	3,60

ORDER CODE PER MATERIAL COMBINATION

PN [bar]	112A	1128
350	53942	67258
350	57332	62558
320	35339	64817

CONNECTION TYPE

ISO 6162-2



DIMENSIONS

Type	LW ₁	LW ₂	L	B ₁	b ₁	T	a	b	M ⁽¹⁾	d	D	t	Weight [Kg]
BKH-DN13-SAE420/SAEFS420	13	13	136	48	56	16	18,2	40,5	M8	25,5	31,8	7,9	1,20
BKH-DN20-SAE420/SAEFS420	20	19	155	60	71	19	23,8	50,8	M10	31,9	41,3	8,9	2,26
BKH-DN25-SAE420/SAEFS420	25	25	173	70	81	24	27,8	57,2	M12	39,8	47,6	9,6	3,75
BKHP-DN25-SAE420/SAEFS420	25	25	181	70	81	24	27,8	57,2	M12	39,8	47,6	9,6	-

ORDER CODE PER MATERIAL COMBINATION

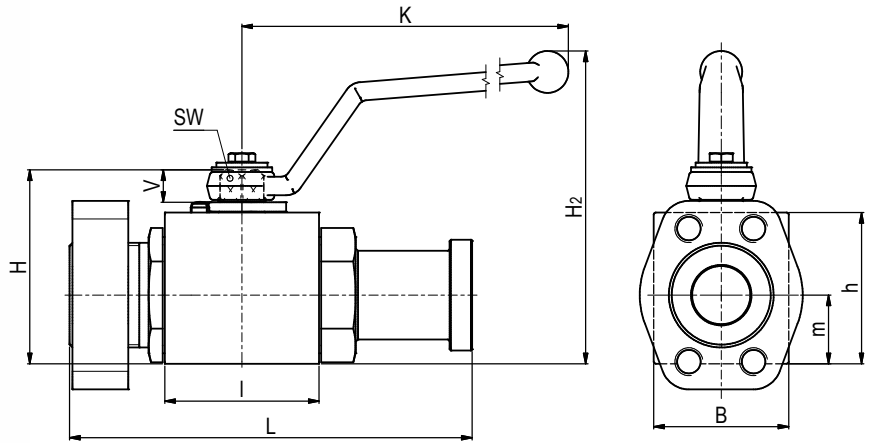
PN [bar]	112A	1128
420	50016	on request
420	47869	65559
350	47968	71438
420	on request	on request

⁽¹⁾ UNC threads on request.

Ball valve with SAE adapter / split flange adapter Stainless Steel

BKH/BKHP-SAE/SAEFS

Two-way



AVAILABLE SIZES

DN13 - DN25 (1/2" to 1")

CONNECTIONS

ISO 6162-1, ISO 6162-2

ACCESSORIES ON REQUEST

- Locking devices page 230 - 233
- Actuators 228 - 229
- Mounting holes 19
- Position switches 236 - 237
- Combinations 192 - 194
- Detent on request

MATERIAL CODE DESCRIPTION

Materials	442A	4428
Body	Stainless Steel	Stainless Steel
Ball	Stainless Steel	Stainless Steel
Stem	Stainless Steel	Stainless Steel
Ball seats	POM	POM
O-rings	NBR	FPM
Tmin /Tmax	-30°C / 100°C	-20°C / 100°C

GENERAL DIMENSIONS

Type	l	B	H	h	m	V	SW	K	H ₂	Lever
BKH-DN13	48	35	54	40	19	11	9	115	89	Zn
BKH-DN20	62	49	75	57	24,5	14	14	171	127	St
BKHP-DN20	82	58	83	65	32,5	14	14	171	135	St
BKH-DN25	66	58	83	65	29,5	14	14	171	135	St
BKHP-DN25	84	70	88	70	34,5	14	14	171	140	St

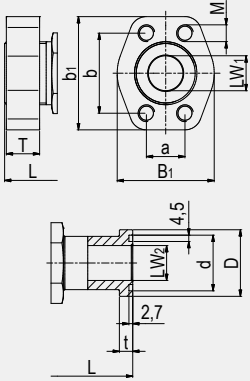
Please note the pressure ratings of the connection flanges!

Ball valve with SAE adapter / split flange adapter Stainless Steel

BKH/BKHP-SAE/SAEFS

CONNECTION TYPE

ISO 6162-1



DIMENSIONS

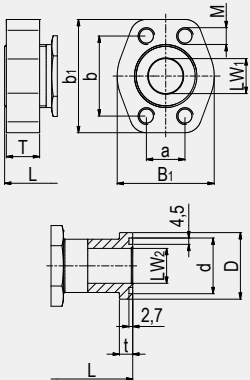
Type	LW ₁	LW ₂	L	B ₁	b ₁	T	a	b	M ⁽¹⁾	d	D	t	Weight [Kg]
BKH-DN13-SAE210/SAEFS210	13	13	136	48	56	13	17,5	38,1	M8	25,5	30,2	6,8	1,18
BKH-DN20-SAE210/SAEFS210	20	19	149	50	65	14	22,2	47,6	M10	31,9	38,1	6,8	2,15
BKH-DN25-SAE210/SAEFS210	25	25	163	60	70	16	26,2	52,4	M10	39,8	44,4	8,1	3,60

ORDER CODE PER MATERIAL COMBINATION

PN [bar]	442A	4428
350	62697	on request
350	on request	on request
320	62432	on request

CONNECTION TYPE

ISO 6162-2



DIMENSIONS

Type	LW ₁	LW ₂	L	B ₁	b ₁	T	a	b	M ⁽¹⁾	d	D	t	Weight [Kg]
BKH-DN13-SAE420/SAEFS420	13	13	136	48	56	16	18,2	40,5	M8	25,5	31,8	7,9	1,20
BKH-DN20-SAE420/SAEFS420	20	19	155	60	71	19	23,8	50,8	M10	31,9	41,3	8,9	2,26
BKHP-DN20-SAE420/SAEFS420	20	19	175	60	71	19	23,8	50,8	M10	31,9	41,3	8,9	-
BKH-DN25-SAE420/SAEFS420	25	25	173	70	81	24	27,8	57,2	M12	39,8	47,6	9,6	3,75
BKHP-DN25-SAE420/SAEFS420	25	25	191	70	81	24	27,8	57,2	M12	39,8	47,6	9,6	-

ORDER CODE PER MATERIAL COMBINATION

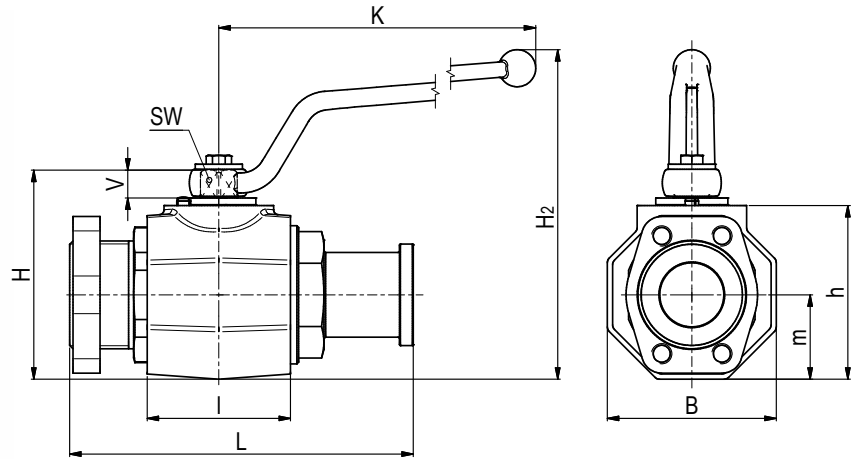
PN [bar]	442A	4428
420	on request	on request
350	58323	on request
420	on request	on request
350	58324	on request
420	on request	on request

⁽¹⁾ UNC threads on request.

Ball valve with SAE adapter / split flange adapter Steel

MKHP-SAE/SAEFS

Two-way



AVAILABLE SIZES

DN32 - DN50 (1 1/4" to 2")

CONNECTIONS

ISO 6162-1, ISO 6162-2

ACCESSORIES ON REQUEST

- Locking devices page 230 - 233
- Actuators 228 - 229
- Mounting holes 26
- Position switches 236 - 237
- Combinations 196 - 197
- Detent on request

MATERIAL CODE DESCRIPTION

Materials	112A	1128
Body	Steel	Steel
Ball	Steel	Steel
Stem	Steel	Steel
Ball seats	POM	POM
O-rings	NBR	FPM
Tmin /Tmax	-20°C / 100°C	-20°C / 100°C

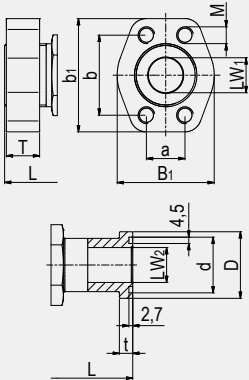
GENERAL DIMENSIONS

Type	l	B 8Kt	H	h	m	V	SW	K	H ₂	Lever
MKHP-DN32	80	81	107	86	40,5	16,5	17	306	180	St
MKHP-DN40	85	100	124	103	50	16,5	17	306	197	St
MKHP-DN50	100	118	138	117	59	16,5	17	306	211	St

Please note the pressure ratings of the connection flanges!

CONNECTION TYPE

ISO 6162-1



DIMENSIONS

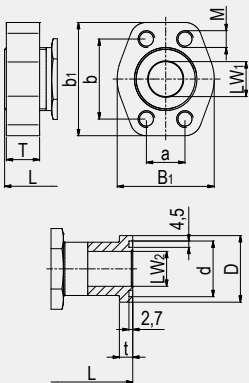
Type	LW ₁	LW ₂	L	B ₁	b ₁	T	a	b	M ⁽¹⁾	d	D	t	Weight [Kg]
MKHP-DN32-SAE210/SAEFS210	32	30	181	68	79	16	30,2	58,7	M10	44,6	50,8	8,1	5,87
MKHP-DN40-SAE210/SAEFS210	38	38	204	78	93	16	35,7	69,9	M12	54,1	60,3	8,1	8,82
MKHP-DN50-SAE210/SAEFS210	48	48	214	90	102	16	42,9	77,8	M12	63,6	71,4	9,6	14,30

ORDER CODE PER MATERIAL COMBINATION

PN [bar]	112A	1128
280	on request	
210	on request	
210	on request	

CONNECTION TYPE

ISO 6162-2



DIMENSIONS

Type	LW ₁	LW ₂	L	B ₁	b ₁	T	a	b	M ⁽¹⁾	d	D	t	Weight [Kg]
MKHP-DN32-SAE420/SAEFS420	32	30	198	78	95	27	31,8	66,7	M12	44,6	54	10,4	6,12
MKHP-DN40-SAE420/SAEFS420	38	38	229	94	112	30	36,5	79,4	M16	54,1	63,5	12,7	9,29
MKHP-DN50-SAE420/SAEFS420	48	48	256	114	134	35	44,5	96,8	M20	63,6	79,4	12,7	15,34

ORDER CODE PER MATERIAL COMBINATION

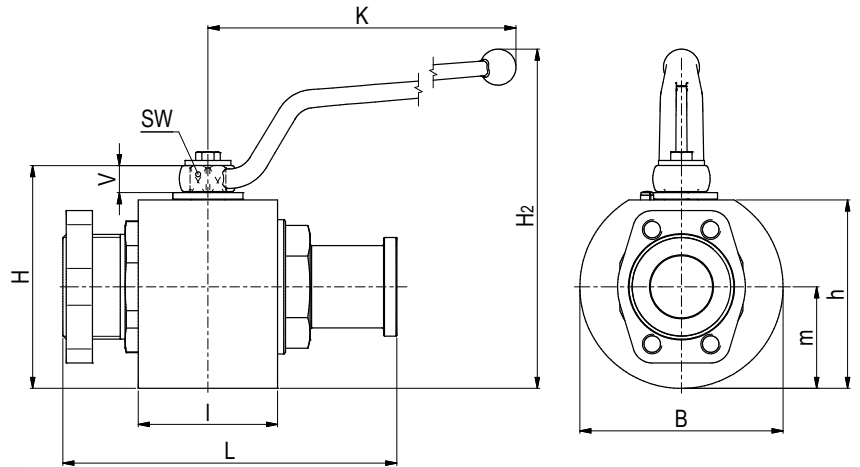
PN [bar]	112A	1128
420	on request	
420	on request	
420	on request	

⁽¹⁾ UNC threads on request.

Ball valve with SAE adapter / split flange adapter Stainless Steel

MKHP-SAE/SAEFS

Two-way



AVAILABLE SIZES

DN32 - DN50 (1 1/4" to 2")

CONNECTIONS

ISO 6162-1, ISO 6162-2

ACCESSORIES ON REQUEST

- Locking devices page 230 - 233
- Actuators 228 - 229
- Mounting holes 30
- Position switches 236 - 237
- Combinations on request
- Detent on request

MATERIAL CODE DESCRIPTION

Materials	442A	4428
Body	Stainless Steel	Stainless Steel
Ball	Stainless Steel	Stainless Steel
Stem	Stainless Steel	Stainless Steel
Ball seats	POM	POM
O-rings	NBR	FPM
Tmin / Tmax	-30°C / 100°C	-20°C / 100°C

GENERAL DIMENSIONS

Type	l	B	H	h	m	V	SW	K	H ₂	Lever
MKHP-DN32	80	109	121	100	54,5	16,5	17	306	194	St
MKHP-DN40	85	124	136	115	62	16,5	17	306	209	St
MKHP-DN50	101	132	145	124	66	16,5	17	306	218	St

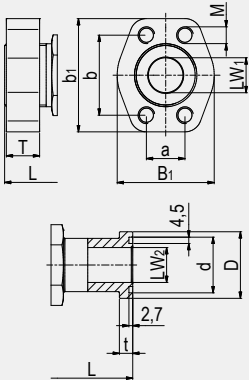
Please note the pressure ratings of the connection flanges!

Ball valve with SAE adapter / split flange adapter Stainless Steel

MKHP-SAE/SAEFS

CONNECTION TYPE

ISO 6162-1



DIMENSIONS

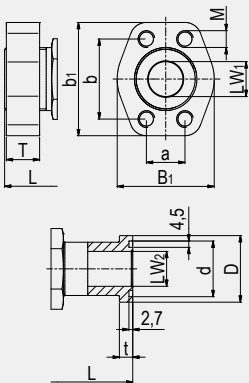
Type	LW ₁	LW ₂	L	B ₁	b ₁	T	a	b	M ⁽¹⁾	d	D	t	Weight [Kg]
MKHP-DN32-SAE210/SAEFS210	32	30	181	68	79	16	30,2	58,7	M10	44,6	50,8	8,1	7,86
MKHP-DN40-SAE210/SAEFS210	38	38	204	78	93	16	35,7	69,9	M12	54,1	60,3	8,1	11,43
MKHP-DN50-SAE210/SAEFS210	48	48	214	90	102	16	42,9	77,8	M12	63,6	71,4	9,6	15,85

ORDER CODE PER MATERIAL COMBINATION

PN [bar]	442A	4428
280	on request	
210	on request	
210	on request	

CONNECTION TYPE

ISO 6162-2



DIMENSIONS

Type	LW ₁	LW ₂	L	B ₁	b ₁	T	a	b	M ⁽¹⁾	d	D	t	Weight [Kg]
MKHP-DN32-SAE420/SAEFS420	32	30	198	78	95	27	31,8	66,7	M12	44,6	54	10,4	8,51
MKHP-DN40-SAE420/SAEFS420	38	38	229	94	112	30	36,5	79,4	M16	54,1	63,5	12,7	11,95
MKHP-DN50-SAE420/SAEFS420	48	48	256	114	134	35	44,5	96,8	M20	63,6	79,4	12,7	12,32

ORDER CODE PER MATERIAL COMBINATION

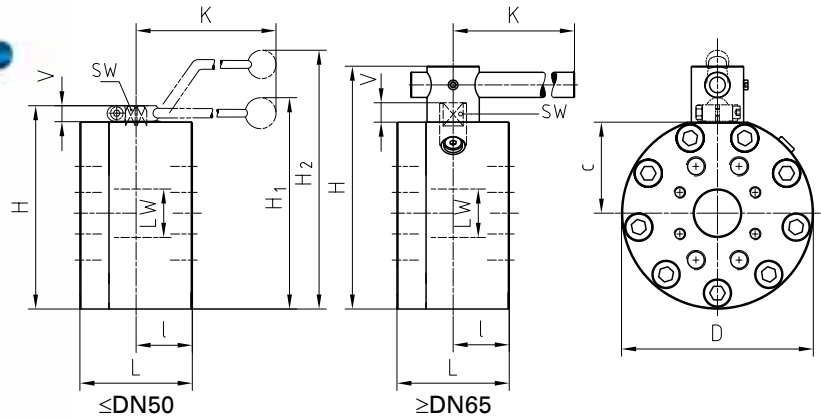
PN [bar]	442A	4428
420	on request	
420	on request	
420	on request	

⁽¹⁾ UNC threads on request.

Flange ball valve with SAE connection metric / UNC Steel

KH-SAE

Two-way



AVAILABLE SIZES

DN15 - DN80 (5/8" to 3")

CONNECTIONS

ISO 6162-1 and -2 (double flange pattern)

ACCESSORIES ON REQUEST

- Locking devices page 230 - 234
- Actuators 228 - 229
- Mounting holes on request
- Position switches on request
- Combinations on request
- Detent on request

MATERIAL CODE DESCRIPTION

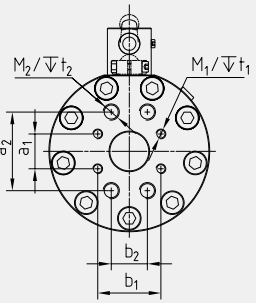
Materials	DN15-50 212A	DN15-50 2128	DN65-80 282A	DN65-80 2828
Body	Steel	Steel	Steel	Steel
Ball	Steel	Steel	Steel	Steel
Stem	Steel	Steel	Duplex	Duplex
Ball seats	POM	POM	POM	POM
O-rings	NBR	FPM	NBR	FPM
Tmin /Tmax	-10°C / 100°C	-10°C / 100°C	-10°C / 100°C	-10°C / 100°C

GENERAL DIMENSIONS

Type	LW	L	I	D	H	c	V	K	SW	H ₁	H ₂	Lever
KH-DN15	15	75	35	88	88	31	13	160	12	-	132	Al
KH-DN20	20	80	35	98	100	36,5	14	200	14	103	-	Zn
KH-DN25	25	88	38	118	113	39,5	14	200	14	116	-	Zn
KH-DN32	32	100	50	145	158	68	17	320	17	167	-	Al
KH-DN40	38	110	55	165	178	78	17	320	17	187	-	Al
KH-DN50	48	116	58	198	210	94	17	320	17	219	-	Al
KH-DN65	63	170	75	218	275	100	20	600	16	-	-	St ⁽¹⁾
KH-DN80 (PN100)	76	170	70	248	307	111	26	600	19	-	-	St ⁽¹⁾
KH-DN80 (PN160/420)	76	170	79	258	315	114,5	26	600	19	-	-	St ⁽¹⁾

Please note the pressure ratings of the connection flanges!

⁽¹⁾ Lever must be fixed centrally during operation. In case of vibration the lever may otherwise operate the valve by itself.

CONNECTION TYPE	DIMENSIONS										ORDER CODE PER MATERIAL COMBINATION		
	Type	a ₁	b ₁	M ₁	t ₁	a ₂	b ₂	M ₂	t ₂	Weight [Kg]	PN [bar]	212A (282A)	2128 (2828)
	ISO 6162-1 and -2 (double flange pattern)												
	KH-DN15-SAE210/420	17,5	38,1	M8	18	40,5	18,2	M8	18	2,96	350/420	44655*	45545*
	KH-DN20-SAE210/420	22,2	47,6	M10	18	50,8	23,8	M10	18	4,20	350/420	44804*	45546*
	KH-DN25-SAE210/420	27,8	57,2	M12	20	52,4	26,2	M10	20	6,00	320/420	44632*	45547*
	KH-DN32-SAE210/420 ⁽²⁾	30,2	58,7	M12	20	66,7	31,8	M14	22	11,65	280/420	45548*	45549*
	KH-DN32-SAE210/420	30,2	58,7	M10	20	66,7	31,8	M12	22	11,70	280/420	44826*	45550*
	KH-DN40-SAE210/420	35,7	69,9	M12	21	79,4	36,5	M16	27	17,10	210/420	45212*	45551*
	KH-DN50-SAE210/420	42,9	77,8	M12	20	96,8	44,5	M20	28	24,60	210/420	44710*	21845*
	KH-DN65-SAE210/420	58,7	123,8	M24	41	88,9	50,8	M12	19	44,40	175/420	41440	46204
	KH-DN80-SAE210/420	71,4	152,4	M30	47	106,4	61,9	M16	24	54,90	100	46376	46205
	KH-DN80-SAE210/420	71,4	152,4	M30	47	106,4	61,9	M16	24	60,40	160/420	58191	58107
	KH-DN15-SAE210/420	17,5	38,1	5/16"UNC	18	40,5	18,2	5/16"UNC	18	2,96	350/420	46206	25414
	KH-DN20-SAE210/420	22,2	47,6	3/8"UNC	18	50,8	23,8	3/8"UNC	18	4,20	350/420	46207	46212
	KH-DN25-SAE210/420	27,8	57,2	7/16"UNC	20	52,4	26,2	3/8"UNC	20	6,00	320/420	46208	46213
	KH-DN32-SAE210/420	30,2	58,7	7/16"UNC	22	66,7	31,8	1/2"UNC	22	11,70	280/420	46209	46214
	KH-DN40-SAE210/420	35,7	69,9	1/2"UNC	20	79,4	36,5	5/8"UNC	24	17,10	210/420	46210	46215
	KH-DN50-SAE210/420	42,9	77,8	1/2"UNC	20	96,8	44,5	3/4"UNC	28	24,60	210/420	46211	46216

⁽²⁾This version is not to be used for new designs.

*Article usually in stock.

! We stamp the valves with the flange pressure rating in accordance with ISO 6162-1/2 as stated above. Nevertheless the valve is suitable for usage up to 210/420 bar if higher-rated flanges are used.

BYPASS OPTION



When larger ball valves have to be activated at full differential pressure, a smaller ball valve can be used before activation in order to equalize the pressure.

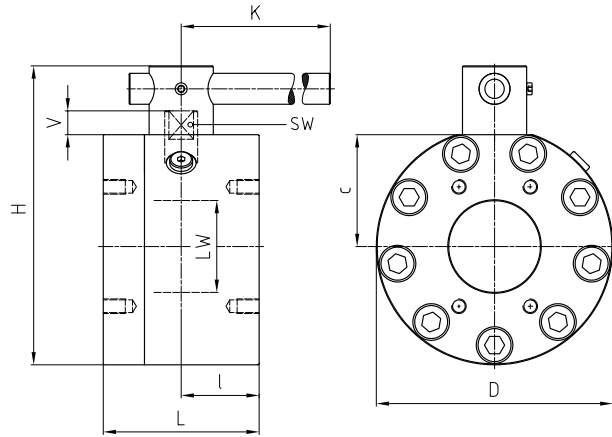
We combine the bypass within the flange valve body to provide less leakage points compared to a piped solution.

- Both main and bypass valve can be offered with locking device or any other accessory like limit switches or actuators.
- Bypass is a standard manifold mounting PKH valve which can be easily maintained or replaced
- Bypass manifold mounting valve provides bubble tight shut off.

Flange ball valve with SAE connection metric / UNC Steel

KH-SAE

Two-way



AVAILABLE SIZES

DN65 - DN125 (2 1/2" to 5")

CONNECTIONS

ISO 6162-1 (single flange pattern)

ACCESSORIES ON REQUEST

- Locking devices page 234
- Actuators 228 - 229
- Mounting holes on request
- Position switches on request
- Combinations on request
- Detent on request

MATERIAL CODE DESCRIPTION

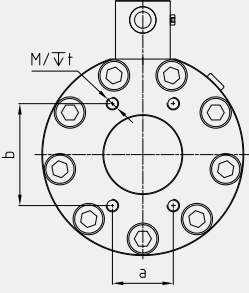
Materials	282A	2828
Body	Steel	Steel
Ball	Steel	Steel
Stem	Duplex	Duplex
Ball seats	POM	POM
O-rings	NBR	FPM
Tmin / Tmax	-10°C / 100°C	-10°C / 100°C

GENERAL DIMENSIONS

Type	LW	L	I	D	H	c	V	K	SW	Lever
KH-DN65	63	150	75	198	259	94	20	600	16	St ⁽¹⁾
KH-DN80 (PN100)	76	140	70	210	277	100	26	600	19	St ⁽¹⁾
KH-DN80 (PN160)	76	150	79	218	284	103,5	26	600	19	St ⁽¹⁾
KH-DN100	100	170	85	258	326	122	27	900	24	St ⁽¹⁾
KH-DN125	118	210	105	295	377	140	33	900	36	St ⁽¹⁾

Please note the pressure ratings of the connection flanges!

⁽¹⁾ Lever must be fixed centrally during operation. In case of vibration the lever may otherwise operate the valve by itself.

CONNECTION TYPE	DIMENSIONS						ORDER CODE PER MATERIAL COMBINATION		
	Type	a	b	M	t	Weight [Kg]	PN [bar]	282A	2828
ISO 6162-1 (single flange pattern) 	KH-DN65-SAE210	50,8	88,9	M12	19	33,50	175	32104	25933
	KH-DN80-SAE210	61,9	106,4	M16	24	33,50	100	30721	25934
	KH-DN80-SAE210	61,9	106,4	M16	24	39,40	160	58097	58098
	KH-DN100-SAE210	77,8	130,2	M16	24	60,50	35	30722	25935
	KH-DN125-SAE210	92,1	152,4	M16	30	95,50	35	14830	25936
	KH-DN65-SAE210	50,8	88,9	1/2" UNC	19	33,50	175	21886	10702
	KH-DN80-SAE210	61,9	106,4	5/8" UNC	24	33,50	100	27427	10701
	KH-DN80-SAE210	61,9	106,4	5/8" UNC	24	39,40	160	58101	58102
	KH-DN100-SAE210	77,8	130,2	5/8" UNC	24	60,50	35	27428	10700
	KH-DN125-SAE210	92,1	152,4	5/8" UNC	30	95,50	35	37954	10699

Two-way

⚠ We stamp the valves with the flange pressure rating in accordance with ISO 6162-1 as stated above. Nevertheless the valve is suitable for usage up to 210 bar if higher-rated flanges are used.

BYPASS OPTION



When larger ball valves have to be activated at full differential pressure, a smaller ball valve can be used before activation in order to equalize the pressure.

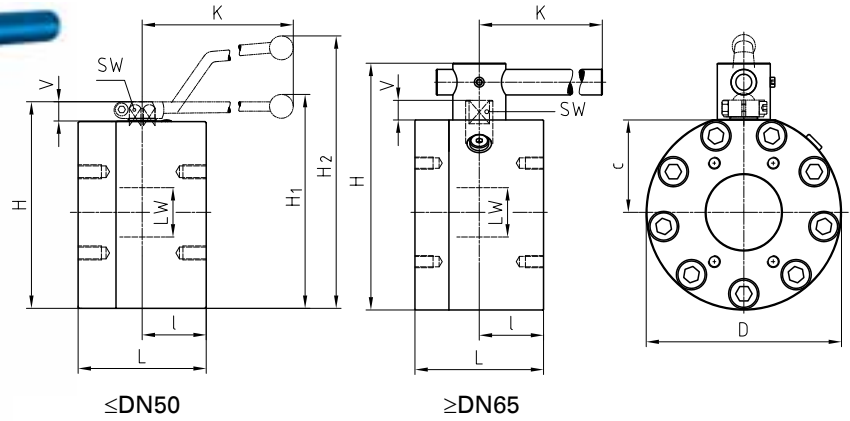
We combine the bypass within the flange valve body to provide less leakage points compared to a piped solution.

- Both main and bypass valve can be offered with locking device or any other accessory like limit switches or actuators.
- Bypass is a standard manifold mounting PKH valve which can be easily maintained or replaced
- Bypass manifold mounting valve provides bubble tight shut off.

Flange ball valve with SAE connection metric / UNC Stainless Steel

KH-SAE

Two-way



AVAILABLE SIZES

DN15 - DN125 (5/8" to 5")

CONNECTIONS

ISO 6162-1, ISO 6162-2 (single flange pattern)

ACCESSORIES ON REQUEST

- Locking devices page 230 - 234
- Actuators 228 - 229
- Mounting holes on request
- Position switches on request
- Combinations on request
- Detent on request

MATERIAL CODE DESCRIPTION

Materials	442A	4428
Body	Stainless Steel	Stainless Steel
Ball	Stainless Steel	Stainless Steel
Stem	Stainless Steel	Stainless Steel
Ball seats	POM	POM
O-rings	NBR	FPM
Tmin /Tmax	-10°C / 100°C	-10°C / 100°C

GENERAL DIMENSIONS ISO 6162-1 (SAE210)

Type	LW	L	I	D	H	c	V	K	SW	H ₁	H ₂	Lever
KH-DN15	15	75	35	78	83	31	13	160	12	-	127	Al
KH-DN20	20	80	35	98	100	36,5	14	200	14	103	-	Zn
KH-DN25	25	88	38	118	113	39,5	14	200	14	116	-	Zn
KH-DN32	32	100	50	145	158	68	17	320	17	167	-	Al
KH-DN40	38	110	55	165	178	78	17	320	17	187	-	Al
KH-DN50	48	116	58	198	210	94	17	320	17	219	-	Al
KH-DN65	63	150	75	198	259	94	20	600	16	-	-	St ⁽¹⁾
KH-DN80 (PN100)	76	140	70	210	277	100	26	600	19	-	-	St ⁽¹⁾
KH-DN80 (PN160)	76	150	79	218	284	103,5	26	600	19	-	-	St ⁽¹⁾
KH-DN100	100	170	85	258	326	122	27	900	24	-	-	St ⁽¹⁾
KH-DN125	118	210	105	295	377	140	33	900	36	-	-	St ⁽¹⁾

GENERAL DIMENSIONS ISO 6162-2 (SAE420)

Type	LW	L	I	D	H	c	V	K	SW	H ₁	H ₂	Lever
KH-DN15	15	75	35	78	83	31	13	160	12	-	127	Al
KH-DN20	20	80	35	98	100	36,5	14	200	14	103	-	Zn
KH-DN25	25	88	38	118	113	39,5	14	200	14	116	-	Zn
KH-DN32	32	100	50	145	158	68	17	320	17	167	-	Al
KH-DN40	38	110	55	165	178	78	17	320	17	187	-	Al
KH-DN50	48	116	58	198	210	94	17	320	17	219	-	Al
KH-DN65	63	170	75	218	275	100	20	600	16	-	-	St ⁽¹⁾
KH-DN80 (PN100)	76	170	70	248	307	111	26	600	19	-	-	St ⁽¹⁾
KH-DN80 (PN420)	76	170	79	258	315	114,5	26	600	19	-	-	St ⁽¹⁾

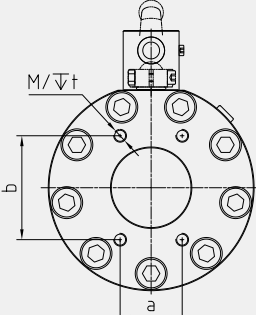
Please note the pressure ratings of the connection flanges!

⁽¹⁾ Lever must be fixed centrally during operation. In case of vibration the lever may otherwise operate the valve by itself.

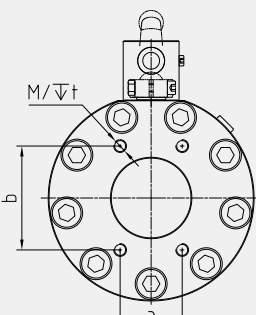
! We stamp the valves with the flange pressure rating in accordance with ISO 6162-1 as stated above. Nevertheless the valve is suitable for usage up to 210 bar if higher-rated flanges are used.

Flange ball valve with SAE connection metric / UNC Stainless Steel

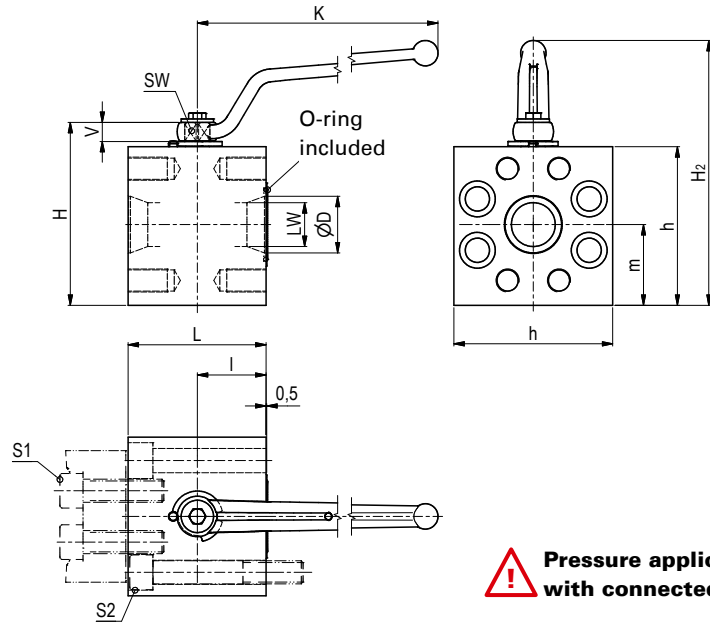
KH-SAE

CONNECTION TYPE	DIMENSIONS						ORDER CODE PER MATERIAL COMBINATION		
	Type	a	b	M	t	Weight [Kg]	PN [bar]	442A	4428
ISO 6162-1 (single flange pattern) 	KH-DN15-SAE210	17,5	38,1	M8	18	2,50	350	17228	37557
	KH-DN20-SAE210	22,2	47,6	M10	18	4,15	350	19946	37558
	KH-DN25-SAE210	26,2	52,4	M10	20	6,27	320	17229	37559
	KH-DN32-SAE210	30,2	58,7	M12 ⁽²⁾	20	11,85	280	16115	37566
	KH-DN32-SAE210	30,2	58,7	M10	20	11,85	280	41727	41728
	KH-DN40-SAE210	35,7	69,9	M12	21	17,00	210	12818	13256
	KH-DN50-SAE210	42,9	77,8	M12	20	25,50	210	12819	13257
	KH-DN65-SAE210	50,8	88,9	M12	19	33,50	175	17592	13255
	KH-DN80-SAE210	61,9	106,4	M16	24	33,50	100	25309	13254
	KH-DN80-SAE210	61,9	106,4	M16	24	40,00	160	58099	58100
	KH-DN100-SAE210	77,8	130,2	M16	24	60,50	35	23662	32960
	KH-DN125-SAE210	92,1	152,4	M16	30	95,50	35	37567	37568
	KH-DN15-SAE210	17,5	38,1	5/16" UNC	18	2,50	350	24701	37813
	KH-DN20-SAE210	22,2	47,6	3/8" UNC	18	4,15	350	37815	37816
	KH-DN25-SAE210	26,2	52,4	3/8" UNC	20	6,27	320	37818	37941
	KH-DN32-SAE210	30,2	58,7	7/16" UNC	20	11,85	280	37943	37944
	KH-DN40-SAE210	35,7	69,9	1/2" UNC	20	17,00	210	37946	37947
	KH-DN50-SAE210	42,9	77,8	1/2" UNC	20	25,50	210	27350	37949
	KH-DN65-SAE210	50,8	88,9	1/2" UNC	19	33,50	175	37950	37951
	KH-DN80-SAE210	61,9	106,4	5/8" UNC	24	33,50	100	33274	37952
	KH-DN80-SAE210	61,9	106,4	5/8" UNC	24	40,00	160	58103	58104
	KH-DN100-SAE210	77,8	130,2	5/8" UNC	24	60,50	35	24717	37953
	KH-DN125-SAE210	92,1	152,4	5/8" UNC	30	95,50	35	37955	37956

Two-way

CONNECTION TYPE	DIMENSIONS						ORDER CODE PER MATERIAL COMBINATION		
	Type	a	b	M	t	Weight [Kg]	PN [bar]	442A	4428
ISO 6162-2 (single flange pattern) 	KH-DN15-SAE420	18,2	40,5	M8	18	2,50	420	26159	37571
	KH-DN20-SAE420	23,8	50,8	M10	18	4,25	420	16937	37572
	KH-DN25-SAE420	27,8	57,2	M12	20	6,30	420	37569	37570
	KH-DN32-SAE420	31,8	66,7	M14 ⁽²⁾	22	11,80	420	16114	37573
	KH-DN32-SAE420	31,8	66,7	M12	22	11,80	420	41731	41732
	KH-DN40-SAE420	36,5	79,4	M16	27	16,90	420	14401	16313
	KH-DN50-SAE420	44,5	96,8	M20	28	25,30	420	16113	37574
	KH-DN65-SAE420	123,8	58,7	M24	41	44,50	420	46354	46355
	KH-DN80-SAE420	152,4	71,4	M30	47	55,00	100	46356	46357
	KH-DN80-SAE420	152,4	71,4	M30	47	63,50	420	58105	58106
	KH-DN15-SAE420	18,2	40,5	5/16" UNC	18	2,50	420	37958	37959
	KH-DN20-SAE420	23,8	50,8	3/8" UNC	18	4,25	420	37961	37962
	KH-DN25-SAE420	27,8	57,2	7/16" UNC	20	6,30	420	37964	14241
	KH-DN32-SAE420	31,8	66,7	1/2" UNC	22	11,80	420	37966	18654
	KH-DN40-SAE420	36,5	79,4	5/8" UNC	24	16,90	420	27349	14242
	KH-DN50-SAE420	44,5	96,8	3/4" UNC	30	25,30	420	29020	14243

⁽²⁾This version is not to be used for new designs.



⚠ Pressure application only with connected flanges!

AVAILABLE SIZES

DN13 - DN50 (1/2" to 2")

CONNECTIONS

ISO 6162-1, ISO 6162-2

ACCESSORIES ON REQUEST

- Locking devices page 233
- Actuators 228 - 229
- Mounting holes on request
- Position switches on request
- Combinations on request
- Detent on request

MATERIAL CODE DESCRIPTION

Materials	112A	1128
Body	Steel	Steel
Ball	Steel	Steel
Stem	Steel	Steel
Ball seats	POM	POM
O-rings	NBR	FPM
Tmin / Tmax	-10°C / 100°C	-10°C / 100°C

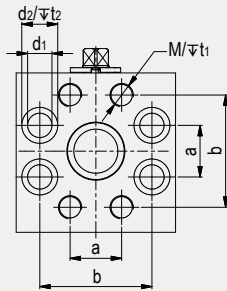
GENERAL DIMENSIONS

Type	LW	D	L	I	H	h	m	K	SW	V	H ₂	Lever	Weight [Kg]
KHZ-DN13	13	13	68	34	72	58	30	115	9	11	109	St	1,8
KHZ-DN20	20	20	70	35	93	75	37,5	171	14	14	146	St	2,8
KHZ-DN25	25	25	78	39	103	84,5	44	171	14	14	155	St	3,9
KHZ-DN32	25	32	90	45	119	100	50	171	14	14	171	St	6,5
KHZ-DN40	32	38	99	49,5	141	120	60	306	17	17	214	St	10,5
KHZ-DN50	38	49	120	60	158,5	137,5	70	306	17	17	232	St	16,5

These intermediate ball valves have been designed with both bore patterns in accordance with ISO 6162-1 or ISO 6162-2. They can either be flanged on one side to a hydraulic block and connected on the other side with a hydraulic pipe, or they can be installed into a pipe system. Please note the pressure ratings of the connection flanges!

CONNECTION TYPE

ISO 6162-1

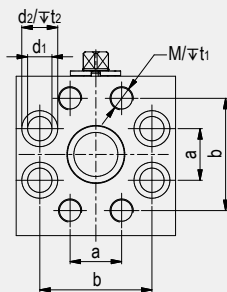


DIMENSIONS

Type	a	b	M	t ₁	d ₁	d ₂	t ₂	S1 ⁽¹⁾ Dimension of screws (min)	S2 ⁽¹⁾ Dimension of screws (min)	O-ring	ORDER CODE PER MATERIAL COMBINATION		
											PN [bar]	112A	1128
KHZ-DN13-SAE210	17,5	38,1	M8	15	8,5	13,5	9	M8x30 – 10.9	M8x70 – 10.9	18,64x3,53	350	47110	47122
KHZ-DN20-SAE210	22,2	47,6	M10	17	10,5	16,5	11	M10x30 – 10.9	M10x80 – 10.9	24,99x3,53	350	47111	41625
KHZ-DN25-SAE210	26,2	52,4	M10	17	10,5	16,5	11	M10x30 – 10.9	M10x80 – 10.9	32,92x3,53	320	47112	47141
KHZ-DN32-SAE210	30,2	58,7	M10	21	10,5	16,5	11	M10x30 – 10.9	M10x90 – 10.9	37,69x3,53	280	47113	41627
KHZ-DN40-SAE210	35,7	69,9	M12	21	13	19	13	M12x35 – 10.9	M12x100 – 10.9	47,22x3,53	210	47114	41628
KHZ-DN50-SAE210	42,9	77,8	M12	21	13	19	13	M12x35 – 10.9	M12x120 – 10.9	56,74x3,53	210	47115	47123
KHZ-DN13-SAE210	17,5	38,1	5/16"UNC	15	8,5	13,5	9	5/16"UNCx30 – 10.9	5/16"UNCx70 – 10.9	18,64x3,53	350	47129	47135
KHZ-DN20-SAE210	22,2	47,6	3/8"UNC	17	10,5	16,5	11	3/8"UNCx30 – 10.9	3/8"UNCx80 – 10.9	24,99x3,53	350	41637	41710
KHZ-DN25-SAE210	26,2	52,4	3/8"UNC	17	10,5	16,5	11	3/8"UNCx30 – 10.9	3/8"UNCx80 – 10.9	32,92x3,53	320	47144	47142
KHZ-DN32-SAE210	30,2	58,7	7/16"UNC	21	12	16,5	11	7/16"UNCx30 – 10.9	7/16"UNCx90 – 10.9	37,69x3,53	280	41639	41712
KHZ-DN40-SAE210	35,7	69,9	1/2"UNC	21	13	19	13	1/2"UNCx35 – 10.9	1/2"UNCx100 – 10.9	47,22x3,53	210	41640	41713
KHZ-DN50-SAE210	42,9	77,8	1/2"UNC	21	13	19	13	1/2"UNCx35 – 10.9	1/2"UNCx120 – 10.9	56,74x3,53	210	47130	47136

CONNECTION TYPE

ISO 6162-2



DIMENSIONS

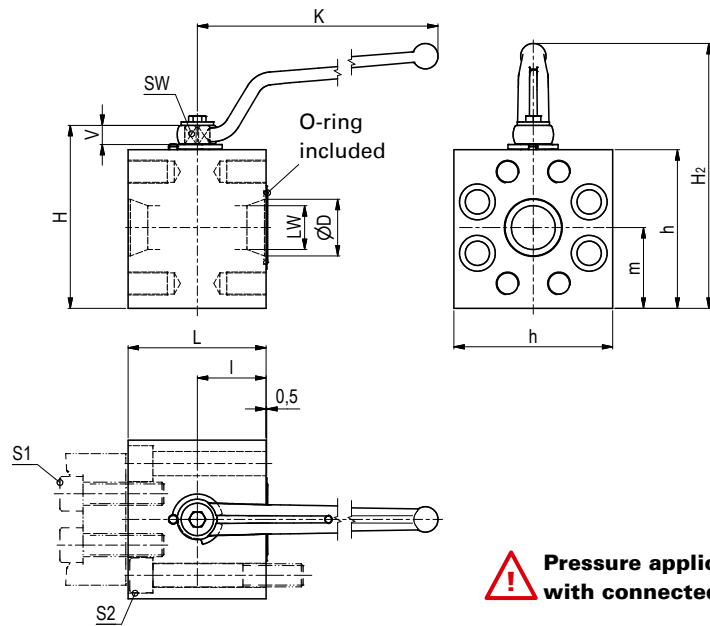
Type	a	b	M	t ₁	d ₁	d ₂	t ₂	S1 ⁽¹⁾ Dimension of screws (min)	S2 ⁽¹⁾ Dimension of screws (min)	O-ring	ORDER CODE PER MATERIAL COMBINATION		
											PN [bar]	112A	1128
KHZ-DN13-SAE420	18,2	40,5	M8	15	8,5	13,5	9	M8x30 – 10.9	M8x70 – 10.9	18,64x3,53	420	47116	47124
KHZ-DN20-SAE420	23,8	50,8	M10	17	10,5	16,5	11	M10x35 – 12.9	M10x80 – 12.9	24,99x3,53	420	47117	41631
KHZ-DN25-SAE420	27,8	57,2	M12	21	13	19	13	M12x45 – 10.9	M12x80 – 10.9	32,92x3,53	420	47118	47125
KHZ-DN32-SAE420	31,8	66,7	M12	20	13	19	13	M12x45 – 10.9	M12x90 – 10.9	37,69x3,53	420	47119	47126
KHZ-DN40-SAE420	36,5	79,4	M16	27	17	25	17,5	M16x55 – 10.9	M16x100 – 10.9	47,22x3,53	420	47120	47127
KHZ-DN50-SAE420	44,5	96,8	M20	34	21	31	21,5	M20x70 – 10.9	M20x130 – 10.9	56,74x3,53	420	47121	47128
KHZ-DN13-SAE420	18,2	40,5	5/16"UNC	15	8,5	13,5	9	5/16"UNCx30 – 10.9	5/16"UNCx70 – 10.9	18,64x3,53	420	47131	47137
KHZ-DN20-SAE420	23,8	50,8	3/8"UNC	17	10,5	16,5	11	3/8"UNCx35 – 12.9	3/8"UNCx80 – 12.9	24,99x3,53	420	41643	41716
KHZ-DN25-SAE420	27,8	57,2	7/16"UNC	21	13	19	13	7/16"UNCx45 – 10.9	7/16"UNCx80 – 10.9	32,92x3,53	420	47145	47143
KHZ-DN32-SAE420	31,8	66,7	1/2"UNC	20	13	19	13	1/2"UNCx45 – 10.9	1/2"UNCx90 – 10.9	37,69x3,53	420	47132	47138
KHZ-DN40-SAE420	36,5	79,4	5/8"UNC	26	17	25	17,5	5/8"UNCx55 – 10.9	5/8"UNCx100 – 10.9	47,22x3,53	420	47133	47139
KHZ-DN50-SAE420	44,5	96,8	3/4"UNC	34	21	31	21,5	3/4"UNCx70 – 10.9	3/4"UNCx130 – 10.9	56,74x3,53	420	47134	47140

⁽¹⁾ Screws and flanges not included

Intermediate ball valve with SAE connection metric / UNC Stainless Steel

KHZ

Two-way



! Pressure application only with connected flanges!

AVAILABLE SIZES

DN13 - DN50 (1/2" to 2")

CONNECTIONS

ISO 6162-1, ISO 6162-2

ACCESSORIES ON REQUEST

- Locking devices page 233
- Actuators 228 - 229
- Mounting holes on request
- Position switches on request
- Combinations on request
- Detent on request

MATERIAL CODE DESCRIPTION

Materials	442A	4428
Body	Stainless Steel	Stainless Steel
Ball	Stainless Steel	Stainless Steel
Stem	Stainless Steel	Stainless Steel
Ball seats	POM	POM
O-rings	NBR	FPM
Tmin / Tmax	-10°C / 100°C	-10°C / 100°C

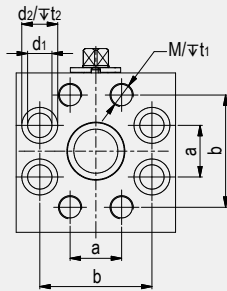
GENERAL DIMENSIONS

Type	LW	D	L	I	H	h	m	K	SW	V	H ₂	Lever	Weight [Kg]
KHZ-DN13	13	13	68	34	72	58	30	115	9	11	109	St	1,8
KHZ-DN20	20	20	70	35	93	75	37,5	171	14	14	146	St	2,8
KHZ-DN25	25	25	78	39	103	84,5	44	171	14	14	155	St	3,9
KHZ-DN32	25	32	90	45	119	100	50	171	14	14	171	St	6,5
KHZ-DN40	32	38	99	49,5	141	120	60	306	17	17	214	St	10,5
KHZ-DN50	38	49	120	60	158,5	137,5	70	306	17	17	232	St	16,5

These intermediate ball valves have been designed with both bore patterns in accordance with ISO 6162-1 or ISO 6162-2. They can either be flanged on one side to a hydraulic block and connected on the other side with a hydraulic pipe, or they can be installed into a pipe system. Please note the pressure ratings of the connection flanges!

CONNECTION TYPE

ISO 6162-1

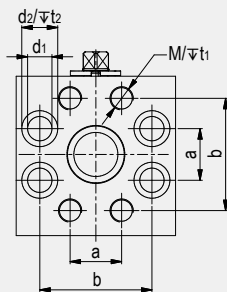


DIMENSIONS

Type	a	b	M	t ₁	d ₁	d ₂	t ₂	S1 ⁽¹⁾ Dimension of screws (min)	S2 ⁽¹⁾ Dimension of screws (min)	O-ring	ORDER CODE PER MATERIAL COMBINATION		
											PN [bar]	442A	4428
KHZ-DN13-SAE210	17,5	38,1	M8	15	8,5	13,5	9	M8x30*	M8x70*	18,64x3,53	350	49778	49790
KHZ-DN20-SAE210	22,2	47,6	M10	17	10,5	16,5	11	M10x30*	M10x80*	24,99x3,53	350	49779	49791
KHZ-DN25-SAE210	26,2	52,4	M10	17	10,5	16,5	11	M10x30*	M10x80*	32,92x3,53	320	49780	49792
KHZ-DN32-SAE210	30,2	58,7	M10	21	10,5	16,5	11	M10x30*	M10x90*	37,69x3,53	280	49781	49793
KHZ-DN40-SAE210	35,7	69,9	M12	21	13	19	13	M12x35*	M12x100*	47,22x3,53	210	49782	49794
KHZ-DN50-SAE210	42,9	77,8	M12	21	13	19	13	M12x35*	M12x120*	56,74x3,53	210	49783	49795
KHZ-DN13-SAE210	17,5	38,1	5/16"UNC	15	8,5	13,5	9	5/16"UNCx30*	5/16"UNCx70*	18,64x3,53	350	49802	49814
KHZ-DN20-SAE210	22,2	47,6	3/8"UNC	17	10,5	16,5	11	3/8"UNCx30*	3/8"UNCx80*	24,99x3,53	350	49803	49815
KHZ-DN25-SAE210	26,2	52,4	3/8"UNC	17	10,5	16,5	11	3/8"UNCx30*	3/8"UNCx80*	32,92x3,53	320	49804	49816
KHZ-DN32-SAE210	30,2	58,7	7/16"UNC	21	12	16,5	11	7/16"UNCx30*	7/16"UNCx90*	37,69x3,53	280	49805	49817
KHZ-DN40-SAE210	35,7	69,9	1/2"UNC	21	13	19	13	1/2"UNCx35*	1/2"UNCx100*	47,22x3,53	210	49806	49818
KHZ-DN50-SAE210	42,9	77,8	1/2"UNC	21	13	19	13	1/2"UNCx35*	1/2"UNCx120*	56,74x3,53	210	49807	49819

CONNECTION TYPE

ISO 6162-2



DIMENSIONS

Type	a	b	M	t ₁	d ₁	d ₂	t ₂	S1 ⁽¹⁾ Dimension of screws (min)	S2 ⁽¹⁾ Dimension of screws (min)	O-ring	ORDER CODE PER MATERIAL COMBINATION		
											PN [bar]	442A	4428
KHZ-DN13-SAE420	18,2	40,5	M8	15	8,5	13,5	9	M8x30*	M8x70*	18,64x3,53	420	49784	49796
KHZ-DN20-SAE420	23,8	50,8	M10	17	10,5	16,5	11	M10x35*	M10x80*	24,99x3,53	420	49785	49797
KHZ-DN25-SAE420	27,8	57,2	M12	21	13	19	13	M12x45*	M12x80*	32,92x3,53	420	49786	49798
KHZ-DN32-SAE420	31,8	66,7	M12	20	13	19	13	M12x45*	M12x90*	37,69x3,53	420	49787	49799
KHZ-DN40-SAE420	36,5	79,4	M16	27	17	25	17,5	M16x55*	M16x100*	47,22x3,53	420	49788	49800
KHZ-DN50-SAE420	44,5	96,8	M20	34	21	31	21,5	M20x70*	M20x130*	56,74x3,53	420	49789	49801
KHZ-DN13-SAE420	18,2	40,5	5/16"UNC	15	8,5	13,5	9	5/16"UNCx30*	5/16"UNCx70*	18,64x3,53	420	49808	49820
KHZ-DN20-SAE420	23,8	50,8	3/8"UNC	17	10,5	16,5	11	3/8"UNCx35*	3/8"UNCx80*	24,99x3,53	420	49809	49821
KHZ-DN25-SAE420	27,8	57,2	7/16"UNC	21	13	19	13	7/16"UNCx45*	7/16"UNCx80*	32,92x3,53	420	49810	49822
KHZ-DN32-SAE420	31,8	66,7	1/2"UNC	20	13	19	13	1/2"UNCx45*	1/2"UNCx90*	37,69x3,53	420	49811	49823
KHZ-DN40-SAE420	36,5	79,4	5/8"UNC	26	17	25	17,5	5/8"UNCx55*	5/8"UNCx100*	47,22x3,53	420	49812	49824
KHZ-DN50-SAE420	44,5	96,8	3/4"UNC	34	21	31	21,5	3/4"UNCx70*	3/4"UNCx130*	56,74x3,53	420	49813	49825

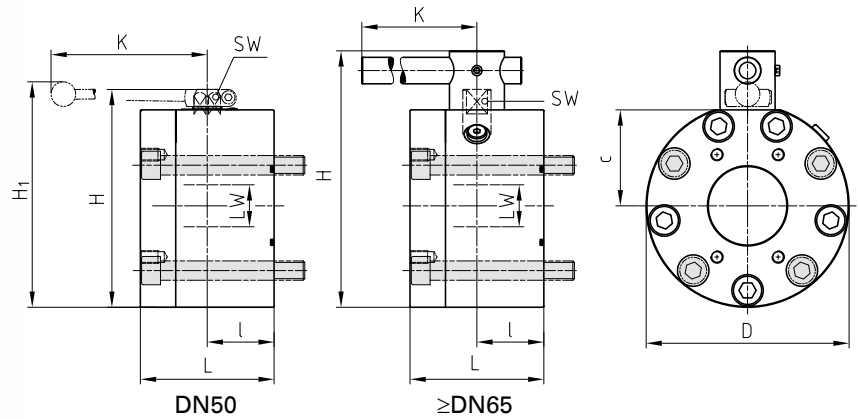
⁽¹⁾ Screws and flanges not included

* Rp 0,2 ≥ 900 N/mm²

Flange ball valve with SAE connection metric / UNC Steel

KH-SAE flangeable

Two-way



AVAILABLE SIZES

DN50 - DN125 (2" to 5")

CONNECTIONS

ISO6162-1 (single flange pattern), other connection types and sizes on request

ACCESSORIES ON REQUEST

- Locking devices page 230 - 234
- Actuators 228 - 229
- Mounting holes on request
- Position switches on request
- Combinations on request
- Detent on request

MATERIAL CODE DESCRIPTION

Materials	DN50 212A	DN50 2128	DN65-125 282A	DN65-125 2828
Body	Steel	Steel	Steel	Steel
Ball	Steel	Steel	Steel	Steel
Stem	Steel	Steel	Duplex	Duplex
Ball seats	POM	POM	POM	POM
O-rings	NBR	FPM	NBR	FPM
Tmin / Tmax	-10°C / 100°C	-10°C / 100°C	-10°C / 100°C	-10°C / 100°C

GENERAL DIMENSIONS

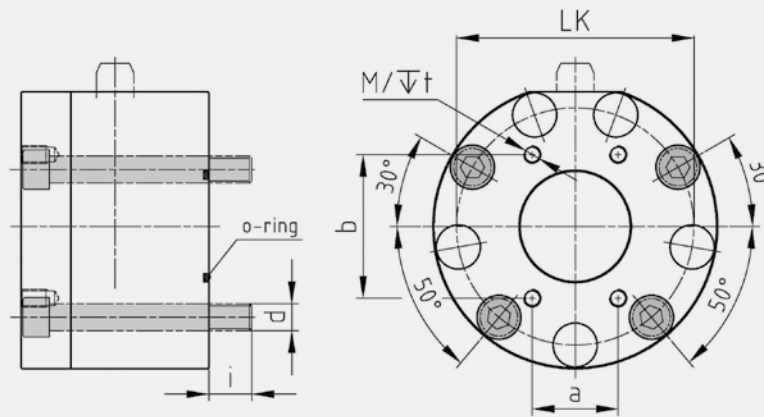
Type	LW	L	I	D	H	c	K	SW	H ₁	Lever
KH-DN65	63	150	75	198	259	94	600	16	-	St ⁽¹⁾
KH-DN80 (PN100)	76	140	70	210	277	100	600	19	-	St ⁽¹⁾
KH-DN80 (PN160)	76	150	79	218	284	103,5	600	19	-	St ⁽¹⁾
KH-DN100	100	170	85	258	326	122	900	24	-	St ⁽¹⁾
KH-DN125	118	210	105	295	377	140	900	36	-	St ⁽¹⁾

Please note the pressure ratings of the connection flanges!

⁽¹⁾ Lever must be fixed centrally during operation. In case of vibration the lever may otherwise operate the valve by itself.

CONNECTION TYPE

ISO 6162-1



Two-way

DIMENSIONS

ORDER CODE PER MATERIAL COMBINATION

Type	a	b	M	t	LK	d	i	Dimension of screws (min) ⁽¹⁾	O-ring ⁽²⁾	Weight [Kg]	PN [bar]	212A (282A)	2128 (2828)
KH-DN65-SAE210	50,8	88,9	M12	19	163	M20	32	4x M20x160	69,44x3,53	29,70	175	40180	40188
KH-DN80-SAE210	61,9	106,4	M16	24	175	M20	32	4x M20x150	85,32x3,53	34,00	100	40181	40189
KH-DN80-SAE210	61,9	106,4	M16	24	182	M20	32	4x M20x160	85,32x3,53		160	59903	59904
KH-DN100-SAE210	77,8	130,2	M16	24	215	M24	26	4x M24x170	110,72x3,53	59,50	35	40182	40190
KH-DN125-SAE210	92,1	152,4	M16	30	248	M27	35	4x M27x215	136,12x3,53	96,50	35	40183	40191
KH-DN65-SAE210	50,8	88,9	1/2"UNC	19	163	3/4"UNC	31	4x 3/4"UNCx6 1/4"	69,44x3,53	27,90	175	40184	40192
KH-DN80-SAE210	61,9	106,4	5/8"UNC	24	175	3/4"UNC	28	4x 3/4"UNCx5 3/4"	85,32x3,53	32,30	100	40185	40193
KH-DN80-SAE210	61,9	106,4	5/8"UNC	24	182	3/4"UNC	31	4x 3/4"UNCx6 1/4"	85,32x3,53		160	59905	59906
KH-DN100-SAE210	77,8	130,2	5/8"UNC	24	215	1"UNC	27,5	4x 1"UNCx6 3/4"	110,72x3,53	56,60	35	40186	40194
KH-DN125-SAE210	92,1	152,4	5/8"UNC	30	248	1 1/8"UNC	35	4x 1 1/8"UNCx8 1/2"	136,12x3,53	91,40	35	40187	39344

⁽¹⁾ Metric screws included, UNC screws not included

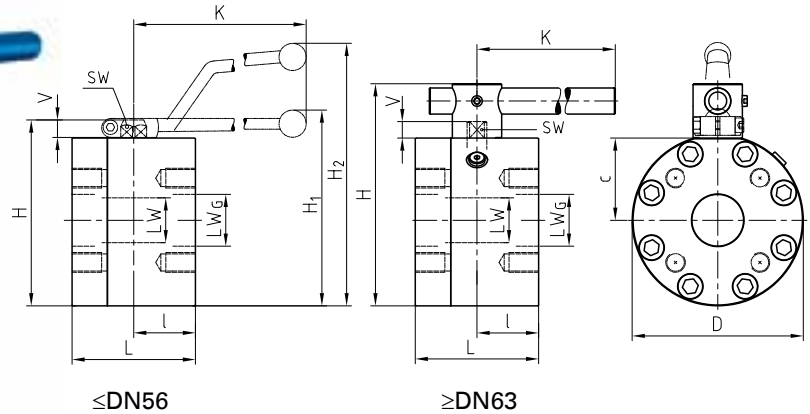
⁽²⁾ O-ring included

Also available with ISO6162-2 and ISO6164 connection.

Flange ball valve with ISO connection Steel

KH-ISO

Two-way



AVAILABLE SIZES

DN13 - DN200 (1/2" to 8")

CONNECTIONS

ISO 6164-1 (ISO250), ISO 6164-2 (ISO400), ISO320 (not part of ISO 6164)

ACCESSORIES ON REQUEST

- Locking devices page 230 - 234
- Actuators 228 - 229
- Mounting holes on request
- Position switches on request
- Combinations on request
- Detent on request

MATERIAL CODE DESCRIPTION

Materials	DN15-50 212A	DN15-50 2128	DN65-200 282A	DN65-200 2828
Body	Steel	Steel	Steel	Steel
Ball	Steel	Steel	Steel	Steel
Stem	Steel	Steel	Duplex	Duplex
Ball seats	POM	POM	POM	POM
O-rings	NBR	FPM	NBR	FPM
Tmin / Tmax	-10°C / 100°C	-10°C / 100°C	-10°C / 100°C	-10°C / 100°C

GENERAL DIMENSIONS ISO 6164-1 (ISO250)

Type	LW	LW _G	L	I	D	H	c	V	K	SW	H ₁	H ₂	Lever
KH-DN13	15	15	85	45	78	83	31	13	160	12	-	127	Al
KH-DN19	20	20	88	38	119	110	36,5	14	200	14	114	-	Zn
KH-DN25	25	25	88	38	126	117	39,5	14	200	14	120	-	Zn
KH-DN32	32	32	105	50	145	158	68	17	320	17	167	-	Al
KH-DN38	38	38	110	55	165	178	78	17	320	17	187	-	Al
KH-DN51	48	47	116	58	198	210	94	17	320	17	219	-	Al
KH-DN56	48	58	123	58	198	210	94	17	320	17	219	-	Al
KH-DN63	65	70	150	75	208	270	100	20	600	16	-	-	St ⁽¹⁾

GENERAL DIMENSIONS ISO 6164-2 (ISO400)

Type	LW	LW _G	L	I	D	H	c	V	K	SW	H ₁	H ₂	Lever
KH-DN13	15	14	85	45	78	83	31	13	160	12	-	127	Al
KH-DN19	20	18	88	38	119	110	36,5	14	200	14	114	-	Zn
KH-DN25	25	22	88	38	126	117	39,5	14	200	14	120	-	Zn
KH-DN32	32	29	105	50	145	158	68	17	320	17	167	-	Al
KH-DN38	38	35	110	55	165	178	78	17	320	17	187	-	Al
KH-DN51	48	43	123	58	198	210	94	17	320	17	219	-	Al
KH-DN56	48	53	123	58	198	210	94	17	320	17	219	-	Al
KH-DN63	65	58	150	75	224	286	108	20	600	16	-	-	St ⁽¹⁾
KH-DN70	65	63	150	75	224	286	108	20	600	16	-	-	St ⁽¹⁾
KH-DN80 (PN100)	76	74	140	70	228	293	107	26	600	19	-	-	St ⁽¹⁾
KH-DN80 (PN400)	76	76	170	78	258	315	114,5	26	600	19	-	-	St ⁽¹⁾

Please note the pressure ratings of the connection flanges!

⁽¹⁾ Lever must be fixed centrally during operation. In case of vibration the lever may otherwise operate the valve by itself.

GENERAL DIMENSIONS ISO 320 (not part of ISO 6164)



Type	LW	LW _G	L	I	D	H	c	V	K	SW	H ₁	H ₂	Lever
KH-DN15													
													on request
KH-DN20	20	20	88	38	119	110	36,5	14	200	14	114	-	Zn
KH-DN25	25	25	88	38	126	117	39,5	14	200	14	120	-	Zn
KH-DN32	32	32	105	50	145	158	68	17	320	17	167	-	Al
KH-DN40	38	38	110	55	165	178	78	17	320	17	187	-	Al
KH-DN50	48	48	122	58	198	210	94	17	320	17	219	-	Al
KH-DN65	65	63	150	75	208	270	100	20	600	16	-	-	St ⁽¹⁾
KH-DN80 (PN100)	76	76	140	70	215	279	100	26	600	19	-	-	St ⁽¹⁾
KH-DN80 (PN350)	76	76											refer to KH-DN80-ISO400 (PN400)
KH-DN100	100	100	200	100	260	327	122	26	900	24	-	-	St ⁽¹⁾
KH-DN125	118	118	230	110	390	470	185	32	900	36	-	-	St ⁽¹⁾
KH-DN150	150	150	285	130	390	475	190	32	900	36	-	-	St ⁽¹⁾
KH-DN200	192	200	378	150	456	598	223	61	940	46	-	-	St ⁽¹⁾

Two-way

Please note the pressure ratings of the connection flanges!

⁽¹⁾ Lever must be fixed centrally during operation. In case of vibration the lever may otherwise operate the valve by itself.

Flange ball valve with ISO connection Steel

KH-ISO

Two-way

CONNECTION TYPE	DIMENSIONS					ORDER CODE PER MATERIAL COMBINATION		
ISO 6164-1	Type	LK	M	t	Weight [Kg]	PN [bar]	212A (282A)	2128 (2828)
	KH-DN13-ISO250	42 ⁽¹⁾	4 x M8	16	2,90	350	29452	37481
	KH-DN19-ISO250	50	4 x M8	15	6,80	350	29453	37482
	KH-DN25-ISO250	62	4 x M10	20	7,20	315	29455	37483
	KH-DN32-ISO250	73	4 x M12	21	12,50	250	40654	37484
	KH-DN38-ISO250	85	4 x M16	24,5	16,60	250	29538	37485
	KH-DN51-ISO250	98	4 x M16	25,5	24,90	250	37839	37486
	KH-DN56-ISO250	118	4 x M20	33	26,60	250	36011	37487
	KH-DN63-ISO250	145	4 x M20	33	36,90	250	31638	37488

CONNECTION TYPE	DIMENSIONS					ORDER CODE PER MATERIAL COMBINATION		
ISO 6164-2	Type	LK	M	t	Weight [Kg]	PN [bar]	212A (282A)	2128 (2828)
	KH-DN13-ISO400	42 ⁽¹⁾	4 x M8	16	2,90	400	37842	37849
	KH-DN19-ISO400	50	4 x M8	15	6,80	400	37843	37850
	KH-DN25-ISO400	62	4 x M10	20	7,20	400	37844	37851
	KH-DN32-ISO400	73	4 x M12	21	12,50	400	37845	37852
	KH-DN38-ISO400	85	4 x M16	24,5	16,60	400	19556	37853
	KH-DN51-ISO400	98	4 x M16	25,5	24,90	400	37846	37854
	KH-DN56-ISO400	118	4 x M20	31	26,60	400	36010	37855
	KH-DN63-ISO400	145	4 x M24	37,5	42,53	400	31493	15045
	KH-DN70-ISO400	160	4 x M24	37,5	43,00	315	37847	37856
	KH-DN80-ISO400 (PN100)	175	4 x M30	35	51,00	100	37848	37857
	KH-DN80-ISO400 (PN400)	175	4 x M30	48,5	63,00	400	58109	58110

CONNECTION TYPE	DIMENSIONS					ORDER CODE PER MATERIAL COMBINATION		
ISO 320 (NOT PART OF ISO 6164)	Type	LK	M	t	Weight [Kg]	PN [bar]	212A (282A)	2128 (2828)
	KH-DN15-ISO320	54	4 x M10	on request		350	37827	37830
	KH-DN20-ISO320	64	4 x M12	22	6,80	350	37459	37463
	KH-DN25-ISO320	72	4 x M12	20	7,20	350	37828	37831
	KH-DN32-ISO320	80	4 x M16	24	12,50	350	37460	37464
	KH-DN40-ISO320	98	4 x M16	25	16,60	350	37461	37465
	KH-DN50-ISO320	118	4 x M20	28	24,90	350	37462	37466
	KH-DN65-ISO320	145	4 x M24	36	36,00	350	19987	37467
	KH-DN80-ISO320 (PN100)	175	4 x M30	35	34,26	100	16635	32093
	KH-DN100-ISO320	200	8 x M24	36	70,00	350	34178	37468
	KH-DN125-ISO320	245	8 x M30	45	209,00	350	37829	37832
	KH-DN150-ISO320	245	8 x M30	46	225,00	350	45938	41962
	KH-DN200-ISO320	315	8 x M36	55	395,00	350	41393	41965

⁽¹⁾ rotated by 45°

BYPASS OPTION



When larger ball valves have to be activated at full differential pressure, a smaller ball valve can be used before activation in order to equalize the pressure.

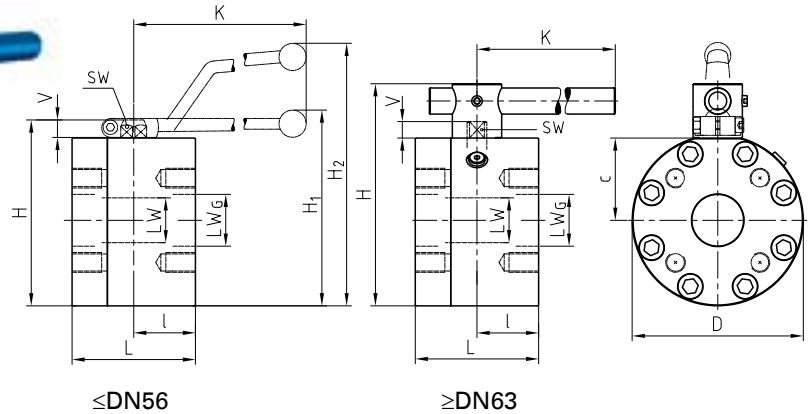
We combine the bypass within the flange valve body to provide less leakage points compared to a piped solution.

- Both main and bypass valve can be offered with locking device or any other accessory like limit switches or actuators.
- Bypass is a standard manifold mounting PKH valve which can be easily maintained or replaced
- Bypass manifold mounting valve provides bubble tight shut off.

Flange ball valve with ISO connection Stainless Steel

KH-ISO

Two-way



AVAILABLE SIZES

DN13 - DN200 (1/2" to 8")

CONNECTIONS

ISO 6164-1 (ISO250), ISO 6164-2 (ISO400), ISO320 (not part of ISO 6164)

ACCESSORIES ON REQUEST

- Locking devices page 230 - 234
- Actuators 228 - 229
- Mounting holes on request
- Position switches on request
- Combinations on request
- Detent on request

MATERIAL CODE DESCRIPTION

Materials	442A	4428
Body	Stainless Steel	Stainless Steel
Ball	Stainless Steel	Stainless Steel
Stem	Stainless Steel	Stainless Steel
Ball seats	POM	POM
O-rings	NBR	FPM
Tmin / Tmax	-10°C / 100°C	-10°C / 100°C

GENERAL DIMENSIONS ISO 6164-1 (ISO250)

Type	LW	LW _G	L	I	D	H	c	V	K	SW	H ₁	H ₂	Lever
KH-DN13	15	15	85	45	78	83	31	13	160	12	-	127	Al
KH-DN19	20	20	88	38	119	110	36,5	14	200	14	114	-	Zn
KH-DN25	25	25	88	38	126	117	39,5	14	200	14	120	-	Zn
KH-DN32	32	32	105	50	145	158	68	17	320	17	167	-	Al
KH-DN38	38	38	110	55	165	178	78	17	320	17	187	-	Al
KH-DN51	48	47	116	58	198	210	94	17	320	17	219	-	Al
KH-DN56	48	58	123	58	198	210	94	17	320	17	219	-	Al
KH-DN63	63	70	150	75	208	270	100	20	600	16	-	-	St ⁽¹⁾

GENERAL DIMENSIONS ISO 6164-2 (ISO400)

Type	LW	LW _G	L	I	D	H	c	V	K	SW	H ₁	H ₂	Lever
KH-DN13	15	14	85	45	78	83	31	13	160	12	-	127	Al
KH-DN19	20	18	88	38	119	110	36,5	14	200	14	114	-	Zn
KH-DN25	25	22	88	38	126	117	39,5	14	200	14	120	-	Zn
KH-DN32	32	29	105	50	145	158	68	17	320	17	167	-	Al
KH-DN38	38	35	110	55	165	178	78	17	320	17	187	-	Al
KH-DN51	48	43	123	58	198	210	94	17	320	17	219	-	Al
KH-DN56	48	53	123	58	198	210	94	17	320	17	219	-	Al
KH-DN63	65	58	150	75	224	286	108	20	600	16	-	-	St ⁽¹⁾
KH-DN70	65	63	150	75	224	286	108	20	600	16	-	-	St ⁽¹⁾
KH-DN80 (PN100)	76	74	140	70	228	293	107	26	600	19	-	-	St ⁽¹⁾
KH-DN80 (PN400)	76	76	170	78	258	315	114,5	26	600	19	-	-	St ⁽¹⁾

Please note the pressure ratings of the connection flanges!

⁽¹⁾ Lever must be fixed centrally during operation. In case of vibration the lever may otherwise operate the valve by itself.

GENERAL DIMENSIONS ISO 320 (not part of ISO 6164)



Type	LW	LW _G	L	I	D	H	c	V	K	SW	H ₁	H ₂	Lever
KH-DN15													
													on request
KH-DN20	20	20	88	38	119	110	36,5	14	200	14	114	-	Zn
KH-DN25	25	25	88	38	126	117	39,5	14	200	14	120	-	Zn
KH-DN32	32	32	105	50	145	158	68	17	320	17	167	-	Al
KH-DN40	38	38	110	55	165	178	78	17	320	17	187	-	Al
KH-DN50	48	48	122	58	198	210	94	17	320	17	219	-	Al
KH-DN65	65	63	150	75	208	270	100	20	600	16	-	-	St ⁽¹⁾
KH-DN80 (PN100)	76	76	140	70	215	279	100	26	600	19	-	-	St ⁽¹⁾
KH-DN80 (PN350)	76	76											refer to KH-DN80-ISO400 (PN400)
KH-DN100	100	100	200	100	260	327	122	26	900	24	-	-	St ⁽¹⁾
KH-DN125	118	118	230	110	390	470	185	32	900	36	-	-	St ⁽¹⁾
KH-DN150	150	150	285	130	390	475	190	32	900	36	-	-	St ⁽¹⁾
KH-DN200	192	200	378	150	456	598	223	61	940	46	-	-	St ⁽¹⁾

Two-way

Please note the pressure ratings of the connection flanges!

⁽¹⁾ Lever must be fixed centrally during operation. In case of vibration the lever may otherwise operate the valve by itself.

Flange ball valve with ISO connection Stainless Steel

KH-ISO

Two-way

CONNECTION TYPE	DIMENSIONS					ORDER CODE PER MATERIAL COMBINATION		
ISO 6164-1	Type	LK	M	t	Weight [Kg]	PN [bar]	442A	4428
	KH-DN13-ISO250	42 ⁽¹⁾	4 x M8	16	2,90	350	37489	37494
	KH-DN19-ISO250	50	4 x M8	15	6,80	350	37490	37495
	KH-DN25-ISO250	62	4 x M10	20	7,20	315	37491	37496
	KH-DN32-ISO250	73	4 x M12	21	12,50	250	37492	37497
	KH-DN38-ISO250	85	4 x M16	24,5	16,60	250	37493	37498
	KH-DN51-ISO250	98	4 x M16	25,5	24,90	250	37840	37499
	KH-DN56-ISO250	118	4 x M20	33	26,60	250	37841	37500
	KH-DN63-ISO250	145	4 x M20	33	36,90	250	35873	37501

CONNECTION TYPE	DIMENSIONS					ORDER CODE PER MATERIAL COMBINATION		
ISO 6164-2	Type	LK	M	t	Weight [Kg]	PN [bar]	442A	4428
	KH-DN13-ISO400	42 ⁽¹⁾	4 x M8	16	2,90	400	37858	37868
	KH-DN19-ISO400	50	4 x M8	15	6,80	400	37859	37869
	KH-DN25-ISO400	62	4 x M10	20	7,20	400	37860	37870
	KH-DN32-ISO400	73	4 x M12	21	12,50	400	37861	37871
	KH-DN38-ISO400	85	4 x M16	24,5	16,60	400	37862	37872
	KH-DN51-ISO400	98	4 x M16	25,5	24,90	400	37863	37873
	KH-DN56-ISO400	118	4 x M20	31	26,60	400	37864	37874
	KH-DN63-ISO400	145	4 x M24	37,5	42,53	400	37865	37875
	KH-DN70-ISO400	160	4 x M24	37,5	43,00	315	37866	37876
	KH-DN80-ISO400 (PN100)	175	4 x M30	35	51,00	100	37867	37877
	KH-DN80-ISO400 (PN400)	175	4 x M30	48,5	63,00	400	58190	58111

CONNECTION TYPE	DIMENSIONS					ORDER CODE PER MATERIAL COMBINATION		
ISO 320 (NOT PART OF ISO 6164)	Type	LK	M	t	Weight [Kg]	PN [bar]	442A	4428
	KH-DN15-ISO320	54	4 x M10	on request		350	37833	37836
	KH-DN20-ISO320	64	4 x M12	22	6,80	350	37469	37474
	KH-DN25-ISO320	72	4 x M12	20	7,20	350	37834	37837
	KH-DN32-ISO320	80	4 x M16	24	12,50	350	37470	37475
	KH-DN40-ISO320	98	4 x M16	25	16,60	350	37471	37476
	KH-DN50-ISO320	118	4 x M20	28	24,90	350	37472	37477
	KH-DN65-ISO320	145	4 x M24	36	36,00	350	20043	37478
	KH-DN80-ISO320 (PN100)	175	4 x M30	35	34,26	100	32608	31684
	KH-DN100-ISO320	200	8 x M24	36	70,00	350	37473	37479
	KH-DN125-ISO320	245	8 x M30	45	209,00	350	37835	37838
	KH-DN150-ISO320	245	8 x M30	46	225,00	350	41963	41964
	KH-DN200-ISO320	315	8 x M36	55	395,00	350	41966	41967

⁽¹⁾ rotated by 45°

BYPASS OPTION



When larger ball valves have to be activated at full differential pressure, a smaller ball valve can be used before activation in order to equalize the pressure.

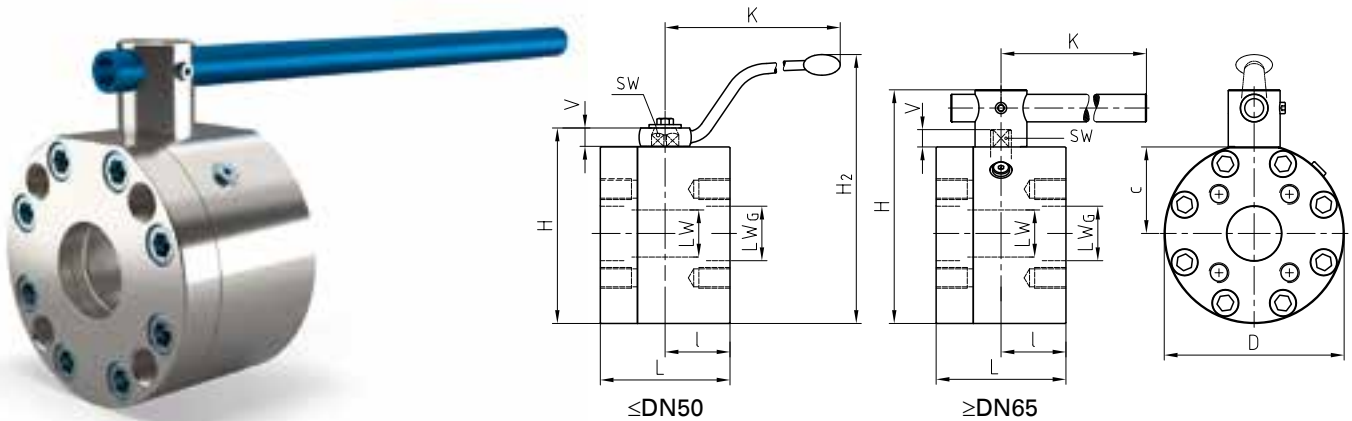
We combine the bypass within the flange valve body to provide less leakage points compared to a piped solution.

- Both main and bypass valve can be offered with locking device or any other accessory like limit switches or actuators.
- Bypass is a standard manifold mounting PKH valve which can be easily maintained or replaced
- Bypass manifold mounting valve provides bubble tight shut off.

Flange ball valve with CETOP connection Steel

KH-CET

Two-way



AVAILABLE SIZES

DN40 - DN100 (1 1/2" to 4")

CONNECTIONS

CETOP 250 bar, CETOP 400 bar

ACCESSORIES ON REQUEST

- Locking devices page 230 - 234
- Actuators 228 - 229
- Mounting holes on request
- Position switches on request
- Combinations on request
- Detent on request

MATERIAL CODE DESCRIPTION

Materials	DN15-50 212A	DN15-50 2128	DN65-100 282A	DN65-100 2828
Body	Steel	Steel	Steel	Steel
Ball	Steel	Steel	Steel	Steel
Stem	Steel	Steel	Duplex	Duplex
Ball seats	POM	POM	POM	POM
O-rings	NBR	FPM	NBR	FPM
Tmin /Tmax	-10°C / 100°C	-10°C / 100°C	-10°C / 100°C	-10°C / 100°C

GENERAL DIMENSIONS CETOP 250 BAR

Type	Flange size	LW	LW _G	L	I	D	H	c	V	K	SW	H ₂	Lever
KH-DN40	1 1/2"	38	38	110	55	165	178	78	17	306	17	250	St
KH-DN50	2"	48	47	123	58	198	210	94	17	306	17	283	St
KH-DN50	2 1/2"	48	58	123	58	198	210	94	17	306	17	283	St
KH-DN65	3"	63	70	150	75	208	270	100	20	600	16	-	St ⁽¹⁾
KH-DN80 (PN100)	3"	76	70	150	75	215	279	100	26	600	19	-	St ⁽¹⁾
KH-DN80 (PN250)	3"	76	70	170	78	258	315	114,5	26	600	19	-	St ⁽¹⁾
KH-DN100	4"	100	90	200	100	258	326	122	26	900	24	-	St ⁽¹⁾

GENERAL DIMENSIONS CETOP 400 BAR

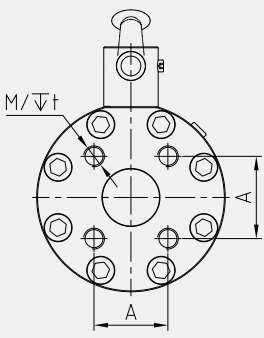
Type	Flange size	LW	LW _G	L	I	D	H	c	V	K	SW	H ₂	Lever
KH-DN40	1 1/2"	38	35	110	55	165	178	78	17	306	17	250	St
KH-DN50	2"	48	43	123	58	198	210	94	17	306	17	283	St
KH-DN50	2 1/2"	48	53	123	58	198	210	94	17	306	17	283	St
KH-DN65	3"	63	58	150	75	224	286	108	20	600	16	-	St ⁽¹⁾
KH-DN80 (PN100)	4"	76	74	150	70	228	293	107	26	600	19	-	St ⁽¹⁾
KH-DN80 (PN400)	4"	76	74	170	78	258	315	114,5	26	600	19	-	St ⁽¹⁾

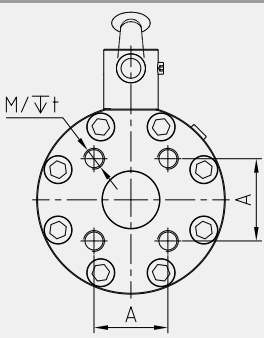
Please note the pressure ratings of the connection flanges!

⁽¹⁾ Lever must be fixed centrally during operation. In case of vibration the lever may otherwise operate the valve by itself.

Flange ball valve with CETOP connection Steel

KH-CET

CONNECTION TYPE	DIMENSIONS						ORDER CODE PER MATERIAL COMBINATION		
CETOP 250 bar	Type	Flange size	A	M	t	Weight [Kg]	PN [bar]	212A (282A)	2128 (2828)
	KH-DN40-CET250	1 1/2"	60	M14	24	16,60	250	41915	41918
	KH-DN50-CET250	2"	69,4	M16	24,5	27,00	250	41916	41919
	KH-DN50-CET250	2 1/2"	83,4	M20	33	26,70	250	41798	41920
	KH-DN65-CET250	3"	102,5	M20	33	36,80	250	41799	40774
	KH-DN80-CET250 (PN100)	3"	102,5	M20	37	37,80	100	26710	55486
	KH-DN80-CET250 (PN250)	3"	102,5	M20	35	62,50	250	59301	59646
	KH-DN100-CET250	4"	113,2	M24	40	70,40	250	41917	35922

CONNECTION TYPE	DIMENSIONS						ORDER CODE PER MATERIAL COMBINATION		
CETOP 400 bar	Type	Flange size	A	M	t	Weight [Kg]	PN [bar]	212A (282A)	2128 (2828)
	KH-DN40-CET400	1 1/2"	60	M14	24	16,60	400	41921	41922
	KH-DN50-CET400	2"	69,4	M16	24,5	27,10	400	41923	41924
	KH-DN50-CET400	2 1/2"	83,4	M20	31	26,90	400	41925	41926
	KH-DN65-CET400	3"	102,5	M20	37,5	42,70	400	41927	41928
	KH-DN80-CET400 (PN100)	4"	113,2	M24	40	43,00	100	41929	41930
	KH-DN80-CET400 (PN400)	4"	113,2	M24	35	63,00	400	59307	59648

BYPASS OPTION



When larger ball valves have to be activated at full differential pressure, a smaller ball valve can be used before activation in order to equalize the pressure.

We combine the bypass within the flange valve body to provide less leakage points compared to a piped solution.

- Both main and bypass valve can be offered with locking device or any other accessory like limit switches or actuators.
- Bypass is a standard manifold mounting PKH valve which can be easily maintained or replaced
- Bypass manifold mounting valve provides bubble tight shut off.

Flange ball valve with welding ends Steel / Stainless Steel

KH-AS



Two-way

MHA ZENTGRAF offers flange ball valves including welding ends with pipe Schedule XXS, 160, 80 or special pipe sizes upon request. The flanges are manufactured by **MHA ZENTGRAF** with full material traceability through 3.1. mill certificates.

AVAILABLE SIZES

DN65 - DN125 (2 1/2" to 5")

CONNECTIONS

SchXXS, Sch160, Sch80, others on request

ACCESSORIES ON REQUEST

- Locking devices page 234
- Actuators 228 - 229
- Mounting holes on request
- Position switches on request

MATERIAL CODE DESCRIPTION

Materials	282A	2828	442A	4428
Body	Steel	Steel	Stainless Steel	Stainless Steel
Ball	Steel	Steel	Stainless Steel	Stainless Steel
Stem	Duplex	Duplex	Duplex	Duplex
Ball seats	POM	POM	POM	POM
O-rings	NBR	FPM	NBR	FPM
Tmin / Tmax	-10°C / 100°C	-10°C / 100°C	-10°C / 100°C	-10°C / 100°C

ORDER CODE SchXXS

Type	Pipe size*
KH-AS-DN65-SchXXS	44,96 x 14,02
KH-AS-DN80-SchXXS	58,42 x 15,24
KH-AS-DN100-SchXXS	80,06 x 17,12
KH-AS-DN125-SchXXS	103,20 x 19,05

ORDER CODE Sch160

Type	Pipe size*
KH-AS-DN65-Sch160	53,94 x 9,53
KH-AS-DN80-Sch160	66,64 x 11,13
KH-AS-DN100-Sch160	87,32 x 13,49
KH-AS-DN125-Sch160	109,54 x 15,88

ORDER CODE Sch80

Type	Pipe size*
KH-AS-DN65-Sch80	58,98 x 7,01
KH-AS-DN80-Sch80	73,66 x 7,62
KH-AS-DN100-Sch80	97,18 x 8,56
KH-AS-DN125-Sch80	122,24 x 9,53

*inner diameter x wall thickness (mm)

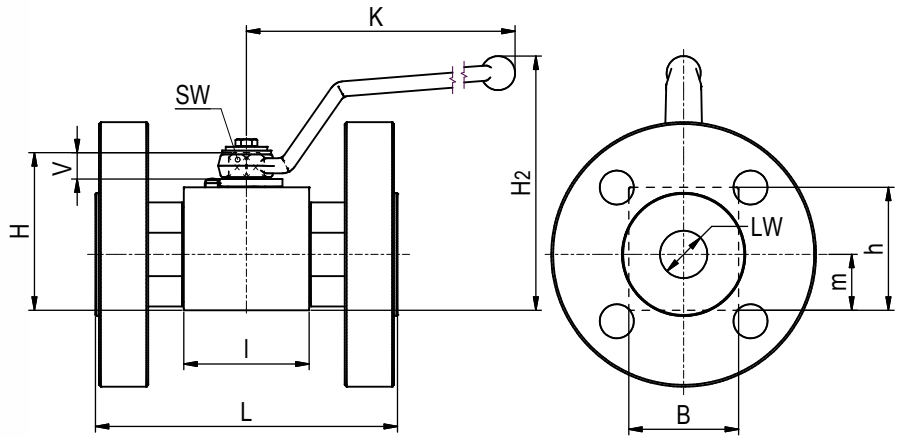
BYPASS OPTION



When larger ball valves have to be activated at full differential pressure, a smaller ball valve can be used before activation in order to equalize the pressure.

We combine the bypass within the flange valve body to provide less leakage points compared to a piped solution.

- Both main and bypass valve can be offered with locking device or any other accessory like limit switches or actuators.
- Bypass is a standard manifold mounting PKH valve which can be easily maintained or replaced
- Bypass manifold mounting valve provides bubble tight shut off.



AVAILABLE SIZES

DN15 - DN25 (5/8" to 1")

CONNECTIONS

DIN EN 1092-1 (10/40 bar, 63/160 bar, 250 bar, 320 bar)
Overall length in accordance with DIN EN 558 F1

ACCESSORIES ON REQUEST

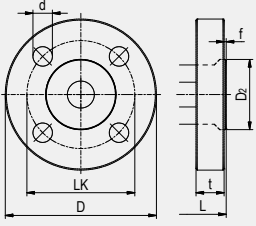
- Locking devices on request
- Actuators page 228 - 229
- Mounting holes 19
- Position switches on request
- Combinations on request
- Detent on request

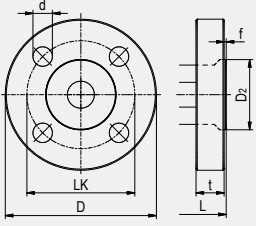
MATERIAL CODE DESCRIPTION

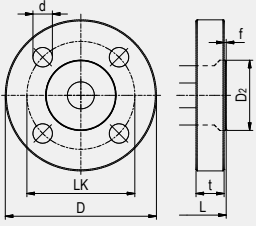
Materials	112A	1128
Body	Steel	Steel
Ball	Steel	Steel
Stem	Steel	Steel
Ball seats	POM	POM
O-rings	NBR	FPM
Tmin /Tmax	-20°C / 100°C	-20°C / 100°C

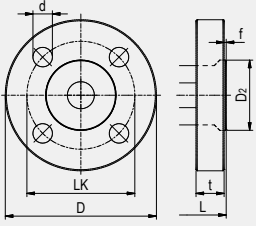
GENERAL DIMENSIONS

Type	LW	l	B	H	h	m	V	SW	K	H ₂	Lever
BKH-DN15	15	48	38	63	46	19	13	12	160	106	Al
BKH-DN20	20	62	49	75	57	24,5	14	14	171	127	St
BKH-DN25	25	66	58	83	65	29,5	14	14	171	135	St
BKH-DN25/32	25	66	58	83	65	29,5	14	14	171	135	St

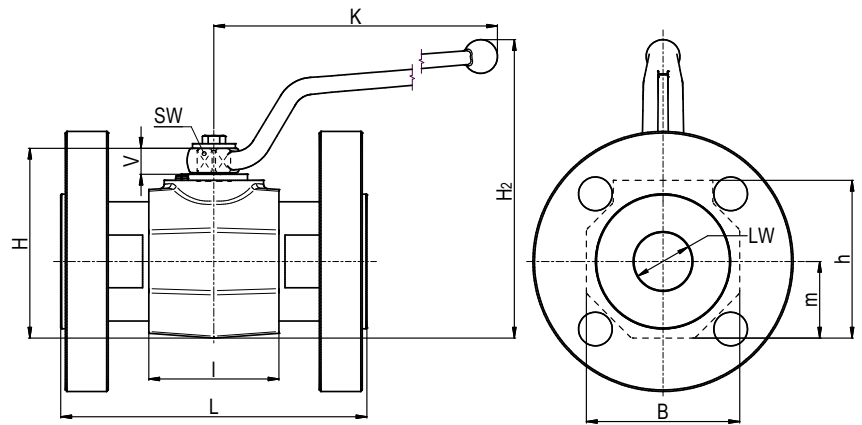
CONNECTION TYPE	DIMENSIONS									ORDER CODE PER MATERIAL COMBINATION		
	Type	L	D ₂	D	LK	d	t	f	Weight [Kg]	PN [bar]	112A	1128
DIN EN 1092-1 F10/40 	BKH-DN15-DIN10/40	130	45	95	65	4 x Ø14	18	2	2,70	40	06765	38837
	BKH-DN20-DIN10/40	150	55	105	75	4 x Ø14	20	2	4,20	40	15590	38838
	BKH-DN25-DIN10/40	160	65	115	85	4 x Ø14	20	2	5,60	40	15591	38839
	BKH-DN25/32-DIN10/40	180	75	140	100	4 x Ø18	20	2	8,20	40	38840	38841

DIN EN 1092-1 F63/160 	Type	L	D ₂	D	LK	d	t	f	Weight [Kg]	PN [bar]	112A	1128
	BKH-DN15-DIN63/160	130	45	105	75	4 x Ø14	22	2	3,60	160	20238	38842
	BKH-DN20-DIN63/160	150	55	130	90	4 x Ø18	20	2	5,50	160	20239	38843
	BKH-DN25-DIN63/160	160	65	140	100	4 x Ø18	26	2	8,20	160	06772	38844

DIN EN 1092-1 F250 	Type	L	D ₂	D	LK	d	t	f	Weight [Kg]	PN [bar]	112A	1128
	BKH-DN15-DIN250	130	45	130	90	4 x Ø18	28	2	3,60	250	27238	38845
	BKH-DN20-DIN250	150	55	135	95	4 x Ø18	28	2	5,50	250	20240	38846
	BKH-DN25-DIN250	160	65	150	105	4 x Ø22	30	2	9,60	250	06773	38847

DIN EN 1092-1 F320 	Type	L	D ₂	D	LK	d	t	f	Weight [Kg]	PN [bar]	112A	1128
	BKH-DN15-DIN320	130	45	130	90	4 x Ø18	28	2	3,60	320	06767	38848
	BKH-DN20-DIN320	150	55	150	105	4 x Ø22	28	2	8,60	320	32472	38849
	BKH-DN25-DIN320	160	65	160	115	4 x Ø22	31	2	12,30	315	06774	38850

Two-way



AVAILABLE SIZES

DN32 - DN50 (1 1/4" to 2")

CONNECTIONS

DIN EN 1092-1 (10/40 bar, 63 bar, 100/160 bar, 250 bar, 320 bar)
Overall length in accordance with DIN EN 558 F1

ACCESSORIES ON REQUEST

- Locking devices on request
- Actuators page 228 - 229
- Mounting holes 26
- Position switches on request
- Combinations on request
- Detent on request

MATERIAL CODE DESCRIPTION

Materials	112A	1128
Body	Steel	Steel
Ball	Steel	Steel
Stem	Steel	Steel
Ball seats	POM	POM
O-rings	NBR	FPM
Tmin / Tmax	-20°C / 100°C	-20°C / 100°C

GENERAL DIMENSIONS

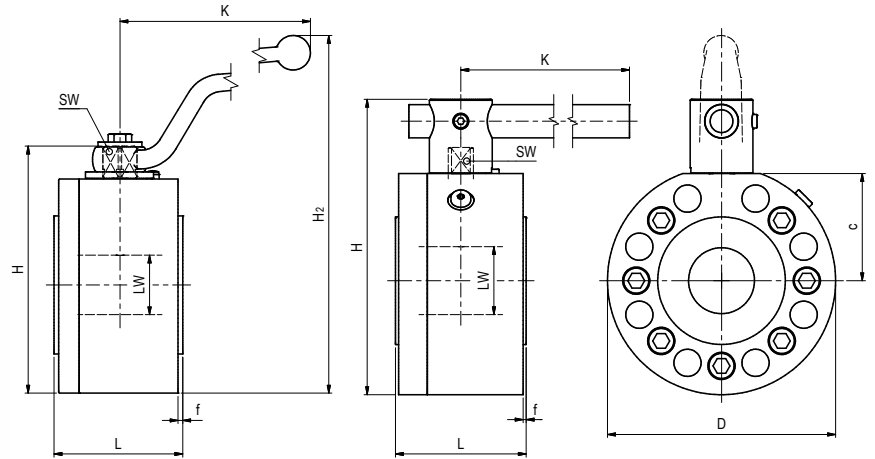
Type	LW	l	B 8Kt	H	h	m	V	SW	K	H ₂	Lever
MKHP-DN32	32	80	81	107	86	40,5	16,5	17	306	180	St
MKHP-DN40	38	85	100	124	103	50	16,5	17	306	197	St
MKHP-DN50	48	100	118	138	117	59	16,5	17	306	211	St

CONNECTION TYPE	DIMENSIONS									ORDER CODE PER MATERIAL COMBINATION		
DIN EN 1092-1 F10/40 	Type	L	D ₂	D	LK	d	t	f	Weight [Kg]	PN [bar]	112A	1128
	MKHP-DN32-DIN10/40	180	78	140	100	4 x Ø18	16	2	8,82	40	20232	31140
	MKHP-DN40-DIN10/40	200	88	150	110	4 x Ø18	20	3	14,29	40	15099	29179
	MKHP-DN50-DIN10/40	230	102	165	125	4 x Ø18	20	3	16,19	40	16035	29581
DIN EN 1092-1 F63 	Type	L	D ₂	D	LK	d	t	f	Weight [Kg]	PN [bar]	112A	1128
	MKHP-DN32-DIN63	180	78	155	110	4 x Ø22	26	2	11,12	63	20233	37554
	MKHP-DN40-DIN63	200	88	170	125	4 x Ø22	28	3	14,79	63	20234	37555
	MKHP-DN50-DIN63	230	102	180	135	4 x Ø22	26	3	18,49	63	15445	37556
DIN EN 1092-1 F100/160 	Type	L	D ₂	D	LK	d	t	f	Weight [Kg]	PN [bar]	112A	1128
	MKHP-DN32-DIN100/160	180	78	155	110	4 x Ø22	26	2	11,12	160	20235	25398
	MKHP-DN40-DIN100/160	200	88	170	125	4 x Ø22	28	3	20,84	160	06790	32430
	MKHP-DN50-DIN100/160	230	102	195	145	4 x Ø26	30	3	21,89	160	17973	20798
DIN EN 1092-1 F250 	Type	L	D ₂	D	LK	d	t	f	Weight [Kg]	PN [bar]	112A	1128
	MKHP-DN40-DIN250	200	88	185	135	4 x Ø26	34	3	18,79	250	15022	26261
	MKHP-DN50-DIN250	230	102	200	150	8 x Ø26	35	3	24,19	250	06832	31288
DIN EN 1092-1 F320 	Type	L	D ₂	D	LK	d	t	f	Weight [Kg]	PN [bar]	112A	1128
	MKHP-DN40-DIN320	200	88	195	145	4 x Ø26	35	3	20,47	320	18260	27846
	MKHP-DN50-DIN320	230	102	210	160	8 x Ø26	40	3	26,80	320	20236	27758

Flange ball valve with DIN connection Steel

KH-DIN

Two-way



AVAILABLE SIZES

DN40 - DN150 (1 1/2" to 6")

CONNECTIONS

DIN EN 1092-1 (10/40 bar, 100/160 bar)

ACCESSORIES ON REQUEST

- Locking devices on request
- Actuators page 228 - 229
- Mounting holes on request
- Position switches on request
- Combinations on request
- Detent on request

MATERIAL CODE DESCRIPTION

Materials	212A	2128
Body	Steel	Steel
Ball	Steel	Steel
Stem	Steel	Steel
Ball seats	POM	POM
O-rings	NBR	FPM
Tmin / Tmax	-10°C / 100°C	-10°C / 100°C

GENERAL DIMENSIONS

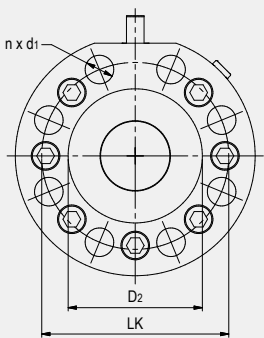
Type	LW	L	D	H	c	K	SW	Lever ⁽²⁾
KH-DN40-DIN10/40	38	82	138	157	67,5	306	17	St
KH-DN40-DIN100/160	38	87,5	158	174	74	306	17	St
KH-DN50-DIN10/40	48	83	158	172,5	72,5	306	17	St
KH-DN50-DIN100/160	48	92	178	190	80	306	17	St
KH-DN65-DIN10/40	63	125	178	244	84	600	16	St
KH-DN65-DIN100/160	63	125	218	282,5	102,5	600	16	St
KH-DN80-DIN10/40	76	122	198	265	95	600	16	St
KH-DN80-DIN100/160	76	140	228	300	109,5	600	19	St
KH-DN100-DIN10/40	100	160	228	298	107	600	19	St

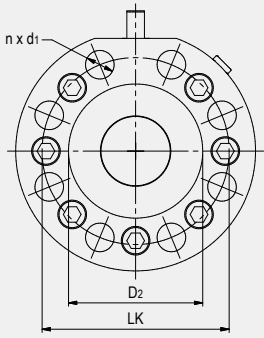
⁽¹⁾ Please consider pressure reduction at higher temperatures.

⁽²⁾ Lever must be fixed centrally during operation. In case of vibration the lever may otherwise operate the valve by itself.

Flange ball valve with DIN connection Steel

KH-DIN

CONNECTION TYPE	DIMENSIONS											ORDER CODE PER MATERIAL COMBINATION		
DIN EN 1092-1 FF10/40	Type	LK	n*	d ₁	t ₁	t ₂	d ₂	D ₂	f	Weight [Kg]	PN [bar]	212A	2128	
	KH-DN40-DIN10/40	110	4	-	-	-	18	88	3	12,00	40	68211	on request	
	KH-DN50-DIN10/40	125	4	-	-	-	18	102	3	14,00	40	68212	on request	
	KH-DN65-DIN10/40	145	8	-	-	-	18	122	3	21,50	40	68213	on request	
	KH-DN80-DIN10/40	160	8	-	-	-	18	138	3	25,00	40	68214	on request	
	KH-DN100-DIN40	190	8	-	-	-	22	162	3	59,50	40	68215	on request	
	further sizes on request													

CONNECTION TYPE	DIMENSIONS											ORDER CODE PER MATERIAL COMBINATION		
DIN EN 1092-1 FF100/160	Type	LK	n*	d ₁	t ₁	t ₂	d ₂	D ₂	f	Weight [Kg]	PN [bar]	212A	2128	
	KH-DN40-DIN100/160	125	4	-	-	-	22	88	3	14,00	160	68218	on request	
	KH-DN50-DIN100/160	145	4	-	-	-	26	102	3	19,00	160	68219	on request	
	KH-DN65-DIN100/160	170	8	-	-	-	26	122	3	31,60	160	68220	on request	
	KH-DN80-DIN100/160	180	8	-	-	-	26	138	3	37,30	160	68221	on request	
	further sizes on request													

*n = number of holes / threads

Two-way