



Driplex Engitech is part of a group which has a proud 60 year legacy in the field of engineering within the fluid transfer industry. We have the expertise and commitment to manufacture the perfectly engineered Drybreak Couplings BreakAway Couplings & Aviation Couplings.



Driplex Drybreak Coupling (DDC)

Specially designed couplings for transfer of liquids including Oil, Water, Organic & Inorganic chemicals.

Size Range : 1 inch to 6 inch

Material of Couplings : Stainless Steel, Aluminium, Bronze and Hastelloy (C276)

Seals : FKM (Viton®), NBR (Nitrile), EPDM, Chemraz®, Kalrez®.

End Connections : Threaded – BSP, NPT, ISO
Flange – ANSI, ASME, ISO, DIN, TTMA

Working Pressure : 10 bar - 25 bar

Safety Factor : 5:1

Compatibility : NATO STANAG 3756.

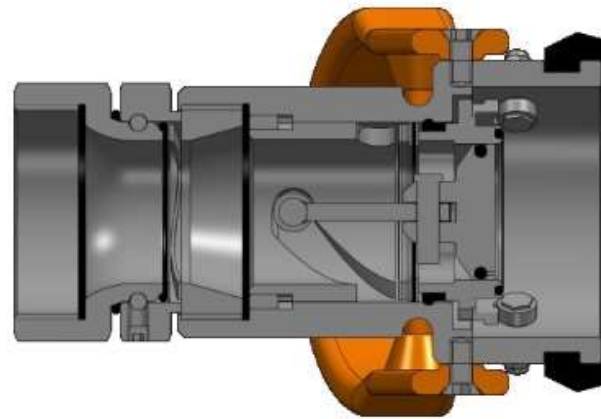
Standard : As per EN 13480 & EN 13445



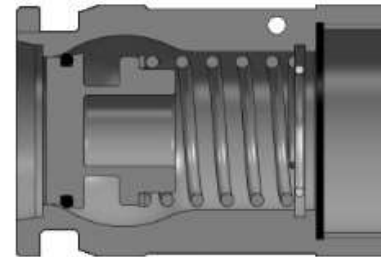
Viton® and Kalrez® is registered trademarks of DuPont Performance Elastomers.
Chemraz® is a registered trademark of Green-Tweed.

Before Operation

Attached on the
Hose/Loading Arm,
also known as :
Coupler or
Female Coupling



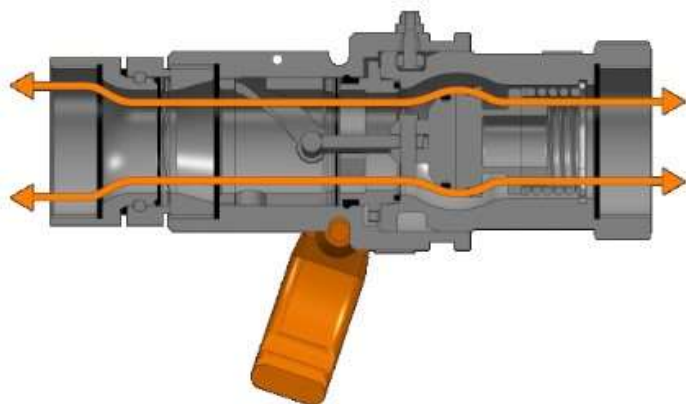
Hose Unit



Tank Unit

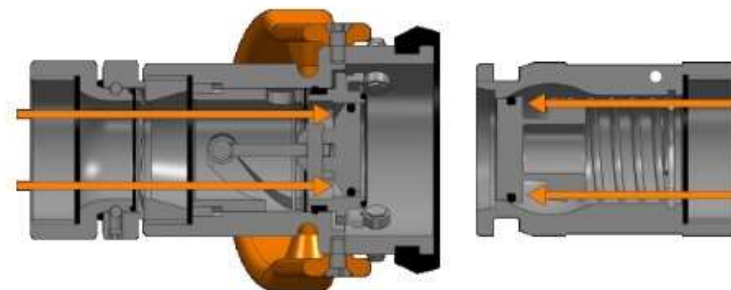
Attached on the
Manifold,
also known as :
Adaptor or
Male Coupling

During Operation



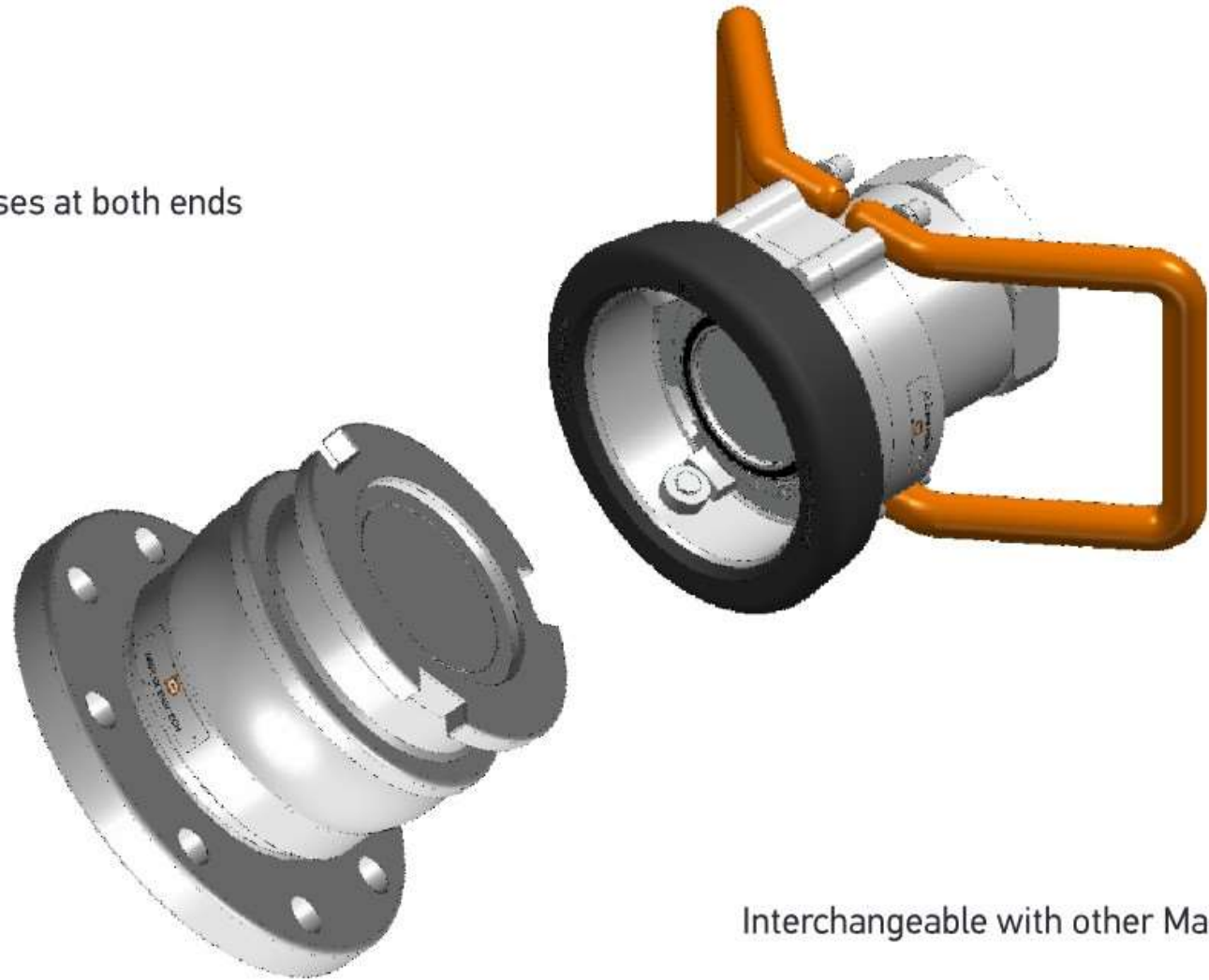
Flow can be in
Any Direction

After Operation



Automatic
Sealing on
Disconnection

- Single Operation Couplings
- Automatic NRV's Opens & Closes at both ends
- Ergonomic Design
- Built in Swivel



Driplex Engitech Limited

Atlanta, 9th Floor, Office No. 94,
Jamnalal Bajaj Road, Nariman Point,
Mumbai - 400021, Maharashtra, India.

P +91-265-2961668, +91-9930515868

E info@drycouplings.com

W www.drycouplings.com

Interchangeable with other Makes •

Ready Stock •

Quick & Easy to Operate •

Low Maintenance •