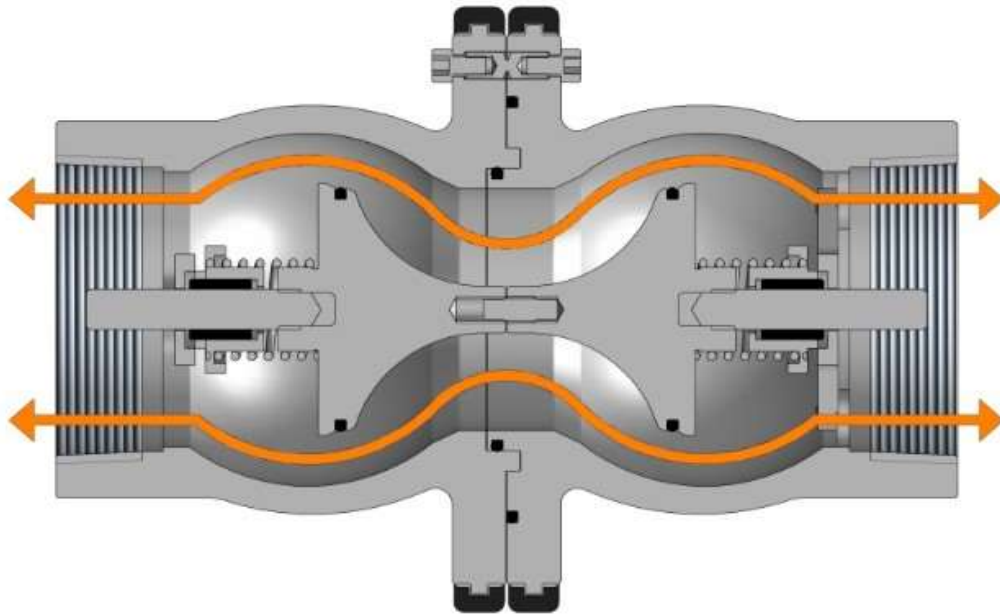


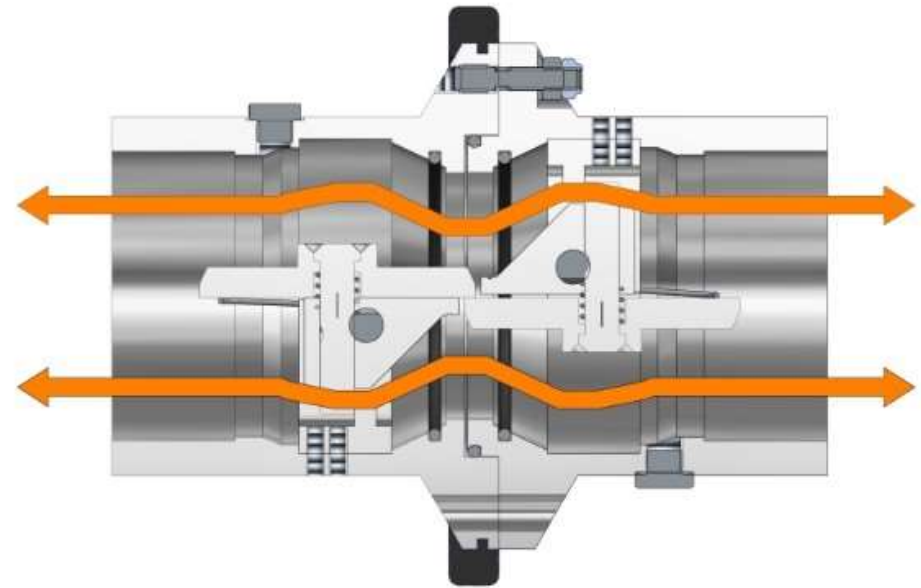
## Breakaway Coupling - Poppet Valve



Sizes : 2" to 12"

Flow position under normal operation:  
The coupling consists of two halves,  
each with a valve (piston) which is open.

## HyFlow Breakaway Coupling - Flip-Flap Valve



Sizes : 2", 3", 4" & 6"

Flow position under normal operation:  
The coupling consists of two halves,  
each with a valve [Flip-Flap] which is open.  
Flip-Flap Breakaway couplings are designed for higher flow

## Technical Details

**Size Range** : 2" to 12"

**Material of Couplings:** Stainless Steel, Aluminum, Hastelloy or any other material on request.

**Seals** : FKM (Viton®), KALREZ®, Chemraz®, NBR (Nitrile), EPDM or any other fluoroelastomer material on request.

**End Connection** : Threaded - BSP, NPT, ISO Flange - ANSI, ASME, ISO, DIN, TTMA

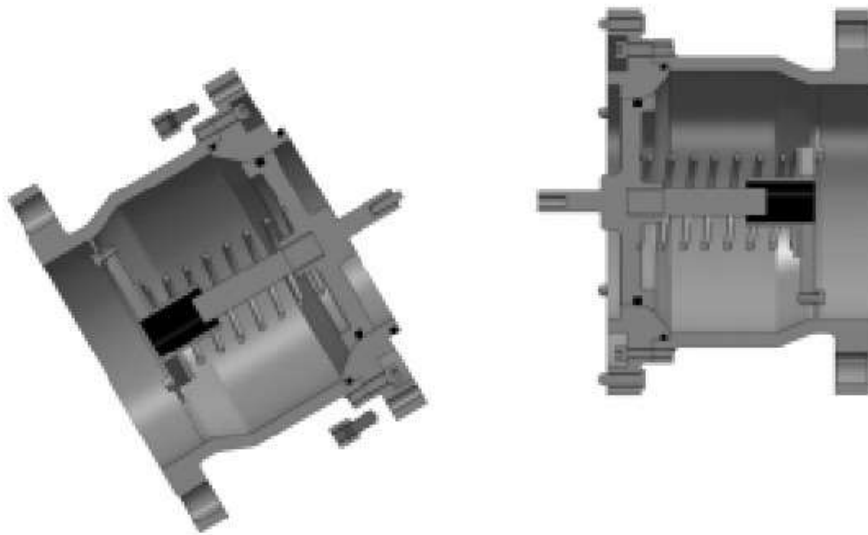
**Working Pressure** : up to 25 Bar

**Temperature Range** : -20°C to 200°C (Variants available to increase the temperature range to -50 Deg C)

Viton® and Kalrez® is registered trademarks of DuPont Performance Elastomers.  
Chemraz® is a registered trademark of Green-Tweed.

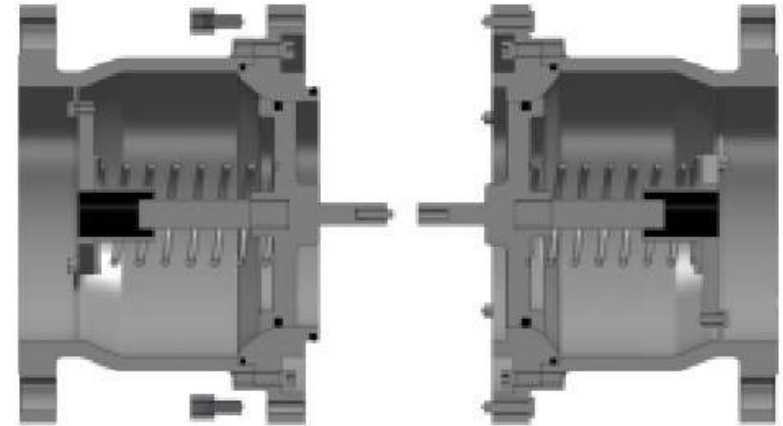
## Industrial Version

This version is installed between a hose assembly or loading arm and a fixed point (e. g. pipe connection/manifold). It can be Separated at an angle up to 90 degrees with respect to the plane of the coupling.



## Marine Version

This version is installed between two hose assemblies where Separation of two halves occur only in axial pull condition.



### **Driplex Engitech Limited**

Atlanta, 9th Floor, Office No. 94, Jamnalal Bajaj Road, Nariman Point, Mumbai - 400021, Maharashtra, India.

**P** +91-265-2961668, +91-9930515868

**E** [info@drylicouplings.com](mailto:info@drylicouplings.com)

**W** [www.drylicouplings.com](http://www.drylicouplings.com)